

DESCRIPTION

The Tradesman Heavy Duty Damper provides the ability to regulate air by locking the damper in place. Each union made Heavy Duty Damper will include a yellow sheet metal union made label.

CONSTRUCTION

Made of 24GA galvanized.
Includes standoff with locking adjustment knob

Damper inside includes big end/small end sleeve.

FEATURES

Laser cut for accuracy.
Made to fit Tradesman pipe and fittings.

GUARANTEE

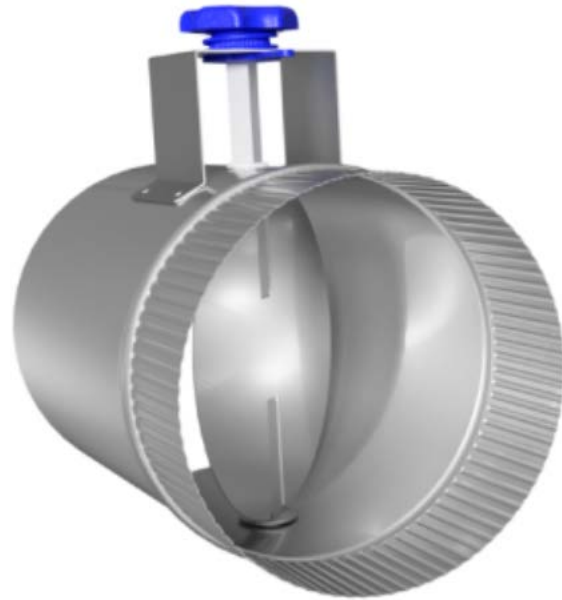
Made in Canada. All Tradesman Manufacturing products are guaranteed against defective material.

OPTIONAL CONSTRUCTION

304 Stainless Steel
316 Stainless Steel
Aluminum
22ga for Sizes 16" - 20"

Product Code	X (in)	Gauge	Carton Qty
HDS/0004/24YL	4"	24	10
HDS/0005/24YL	5"	24	10
HDS/0006/24YL	6"	24	18
HDS/0007/24YL	7"	24	6
HDS/0008/24YL	8"	24	18
HDS/0009/24YL	9"	24	N/A
HDS/0010/24YL	10"	24	12
HDS/0012/24YL	12"	24	N/A
HDS/0014/24YL	14"	24	N/A
HDS/0016/22YL	16"	24	N/A
HDS/0018/22YL	18"	24	N/A
HDS/0020/22YL	20"	24	N/A

HEAVY DUTY DAMPER



[\(403\) 327-9871](tel:4033279871)

sales@tradesmanmfg.ca

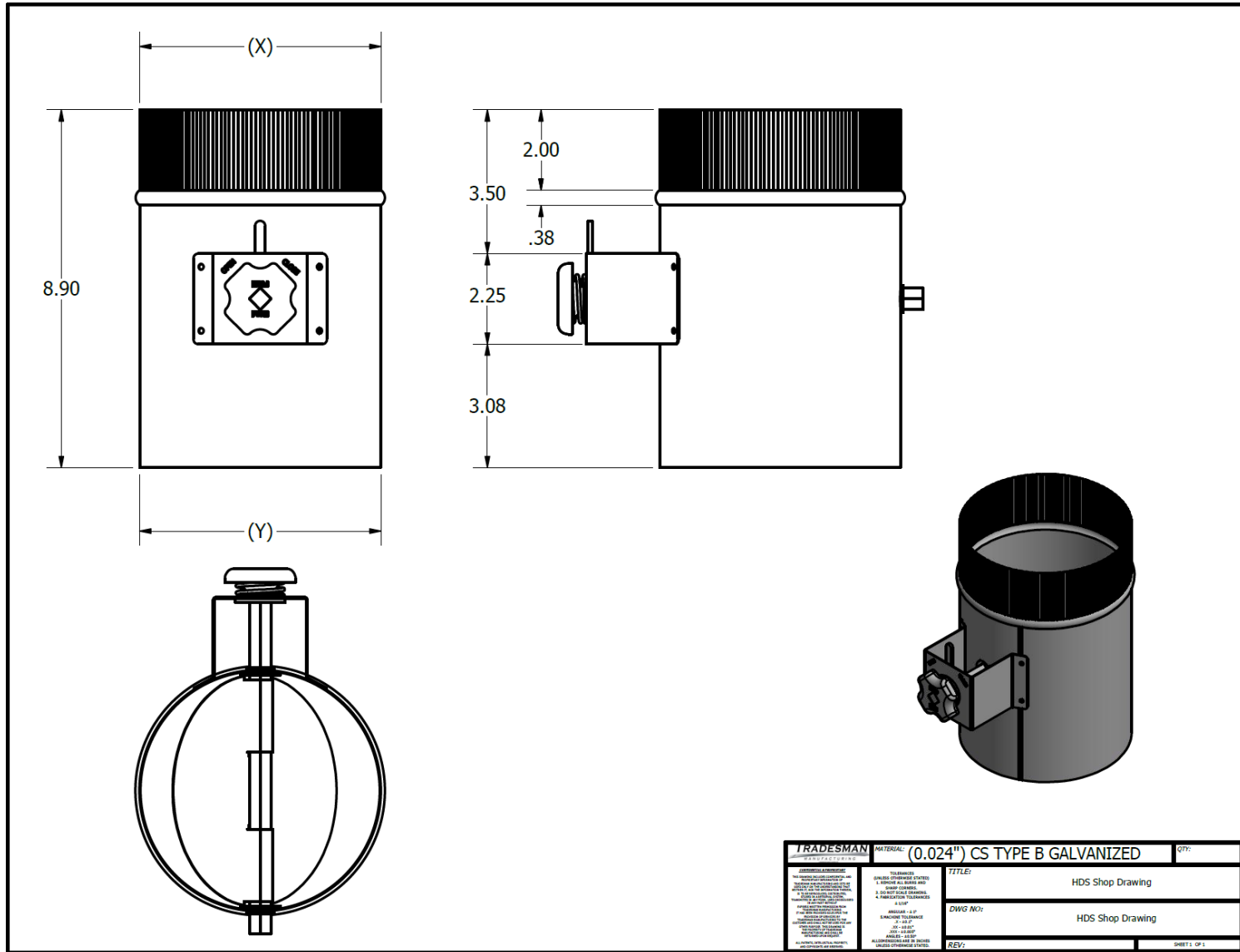
www.tradesmanmfg.ca

Specifications are subject to change without notice or obligation. All Tradesman Manufacturing products are guaranteed against defective material.

HEAVY DUTY DAMPER

TRADESMAN

MANUFACTURING



[\(403\) 327-9871](tel:4033279871)

sales@tradesmanmfg.ca

www.tradesmanmfg.ca

Specifications are subject to change without notice or obligation. All Tradesman Manufacturing products are guaranteed against defective material.