

DESCRIPTION

The Tradesman adjustable elbow is used for low pressure applications and can be adjusted to any degree. Union made elbows will include a yellow or blue union label.

FEATURES

Meets SMACNA requirements(3.29 Figure 3-4)
 Pressure rating (-1 to +2 water gauge)
 Adjusts to any degree
 Welded seam for added strength and low leakage.

GUARANTEE

All Tradesman Manufacturing products are guaranteed against defective material.

OPTIONAL CONSTRUCTION

Bead and crimp on both sides
 20GA to 30GA Galvanized
 G90 Galvanized
 Stainless Steel 304
 Stainless Steel 316
 Aluminum
 Satincoat

Product Code	A/B (in)	C (in)	Box/Bdl Qty (30GA/28GA or 26GA)
ELB/0390/26YL	3"	3"	25
ELB/0490/26YL	4"	3"	50
ELB/0590/26YL	5"	3"	32
ELB/0690/26YL	6"	3"	30
ELB/0790/26YL	7"	3"	8
ELB/0890/26YL	8"	2.5"	8
ELB/0990/26YL	9"	4"	4
ELB/1090/26YL	10"	4"	4
ELB/1290/26YL	12"	3"	4
ELB/1490/26YL	13"	4"	4
ELB/1490/24YL	14"	4"	4
ELB/1690/24YL	16"	5"	4
ELB/1890/24YL	18"	7"	N/A
ELB/2090/24YL	20"	7"	N/A
ELB/2290/24YL	22"	6.5"	N/A
ELB/2490/24YL	24"	5.5"	N/A

ADJUSTABLE ELBOW



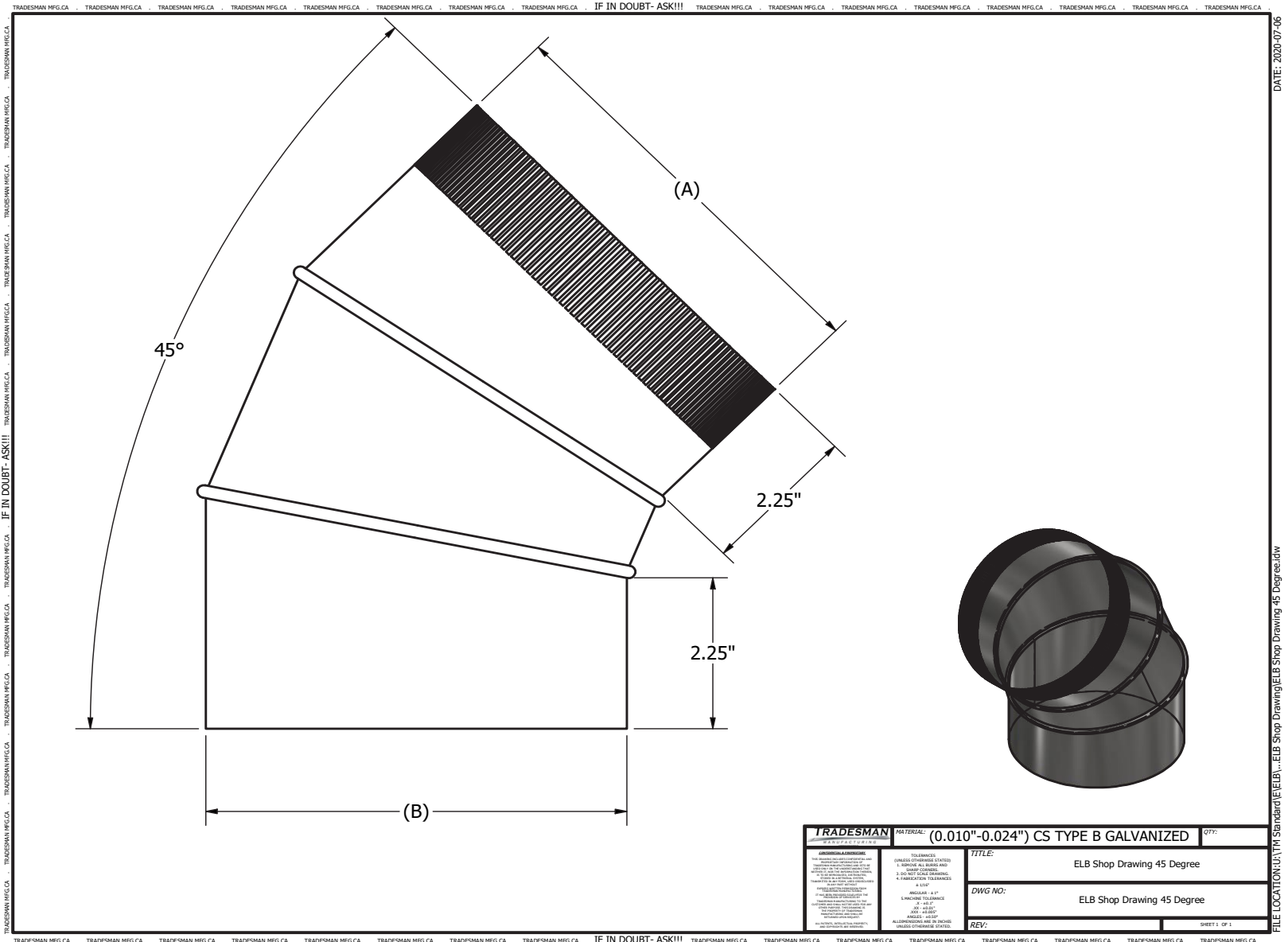
[\(403\) 327-9871](tel:4033279871)

sales@tradesmanmfg.ca

www.tradesmanmfg.ca

Specifications are subject to change without notice or obligation. All Tradesman Manufacturing products are guaranteed against defective material.

ADJUSTABLE ELBOW



DATE: 2020-07-06
FILE LOCATION: L:\TM Standard\VELBA...ELB Shop Drawing\ELB Shop Drawing 45 Degree.dwg

(403) 327-9871

sales@tradesmanmfg.ca

www.tradesmanmfg.ca

Specifications are subject to change without notice or obligation. All Tradesman Manufacturing products are guaranteed against defective material.