

TRADESMAN

MANUFACTURING

DESCRIPTION

The Tradesman oval snaplock pipe is used for low pressure applications.

STANDARD CONSTRUCTION

Manufactured from 30GA ASTM A-653 and ASTM A-924 G60 material.

FEATURES

Meets SMACNA RL-8 Longitudinal Seam

(pg. 3-5, figure 3-2; 2005 3rd Edition)

Reeves lock and button lock come standard on every piece.

Pressure rating (-1 to +2 water gauge)

GUARANTEE

All Tradesman Manufacturing products are guaranteed against defective material.

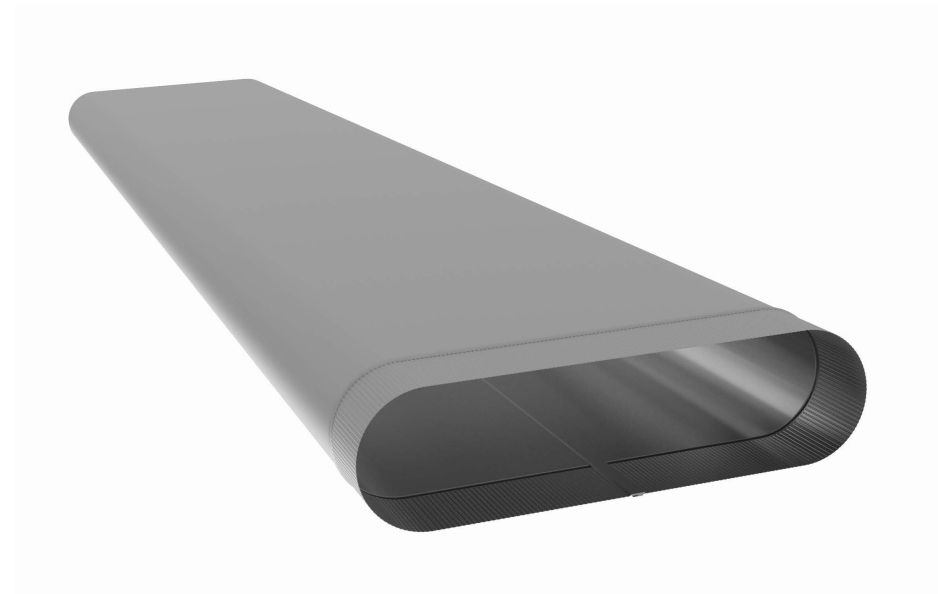
OPTIONAL CONSTRUCTION

30GA, 28GA, 26GA and 24GA galvanized

G90 galvanized

48", 36", and 24" lengths

Aluminum



Contact Tradesman Manufacturing for availability, pricing, and lead time.

[\(403\) 327-9871](tel:4033279871)

sales@tradesmanmfg.ca

www.tradesmanmfg.ca

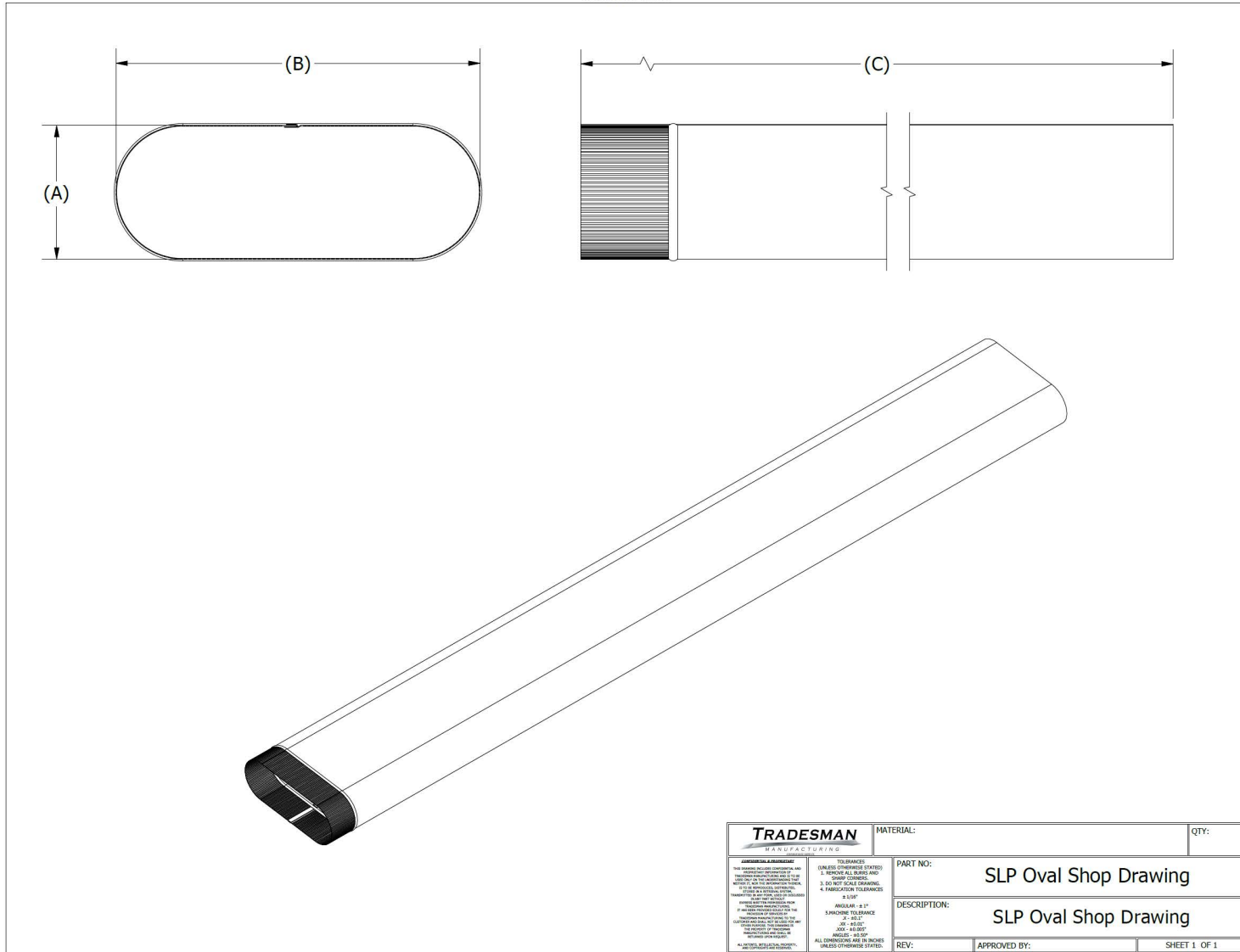
Specifications are subject to change without notice or obligation. All Tradesman Manufacturing products are guaranteed against defective material.

Product Code	A (in)	B (in)	C (in)	Bndl/Skid Qty
SLP/3116/30	3"	11"	60"	50'/BDL
SLP/3510/30	3"	5"	100"	417'/SKID
SLP/3560/30	3"	5"	60"	50'/BDL
SLP/3610/30	3"	6"	100"	834'/SKID
SLP/3660/30	3"	6"	60"	2000'/SKID
SLP/3810/30	3"	8"	100"	834'/SKID
SLP/3860/30	3"	8"	60"	1750'/SKID
SLP/3960/30	3"	9"	60"	50'/BDL

OVAL SNAPLOCK PIPE

TRADESMAN

MANUFACTURING



TRADESMAN <small>MANUFACTURING</small> CONSTRUCTION & INSTALLATION <small>1. READ ALL INSTRUCTIONS CAREFULLY AND FOLLOW THEM EXACTLY. FAILURE TO DO SO MAY RESULT IN INJURY, PROPERTY DAMAGE, OR DEATH. ALWAYS WEAR YOUR SAFETY GEAR. ALWAYS USE THE CORRECT TOOLS AND EQUIPMENT. ALWAYS FOLLOW THE LOCAL, STATE, AND FEDERAL REGULATIONS. ALWAYS USE THE CORRECT SAFETY PROCEDURES. ALWAYS USE THE CORRECT SAFETY SIGNALS. ALWAYS USE THE CORRECT SAFETY COLORS. ALWAYS USE THE CORRECT SAFETY MARKINGS. ALWAYS USE THE CORRECT SAFETY DEVICES. ALWAYS USE THE CORRECT SAFETY PROCEDURES. ALWAYS USE THE CORRECT SAFETY SIGNALS. ALWAYS USE THE CORRECT SAFETY COLORS. ALWAYS USE THE CORRECT SAFETY MARKINGS. ALWAYS USE THE CORRECT SAFETY DEVICES.</small>	MATERIAL:	QTY:
	PART NO: SLP Oval Shop Drawing	
	DESCRIPTION: SLP Oval Shop Drawing	
	REV:	APPROVED BY:

[\(403\) 327-9871](tel:4033279871)

sales@tradesmanmfg.ca

www.tradesmanmfg.ca

Specifications are subject to change without notice or obligation. All Tradesman Manufacturing products are guaranteed against defective material.