



DESCRIPTION

The Tradesman electric furnace stand is designed to be used as a stand for the furnace to sit off the floor.

CONSTRUCTION

Made of 24GA galvanized complete with door for the most efficient way of filtering air passing through a furnace. Made to fit 1" filters.

FEATURES

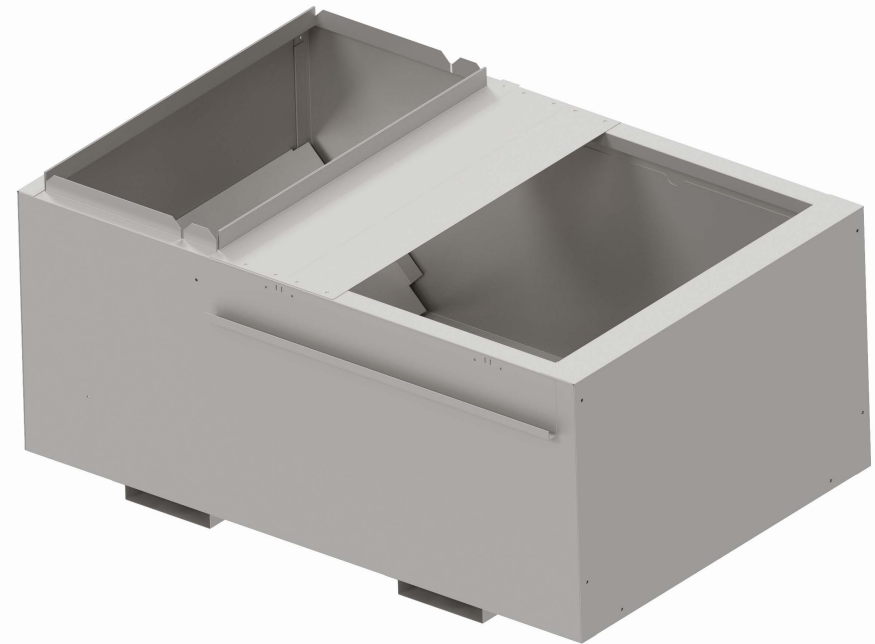
- Gasketed door for better efficiency.
- 100% laser cut for accuracy.
- Option for multiple filter widths.
- No need to cut hole in side of furnace.
- Draws return air from bottom of furnace.
- Can accommodate 8", 10", or 12" wide return air duct.

GUARANTEE

Made in Canada. All Tradesman Manufacturing products are guaranteed against defective material.

Contact Tradesman Manufacturing for availability, pricing, and lead time.

Product Code	Skid Qty
FUR/STD/ELEC	6



[\(403\) 327-9871](tel:4033279871)

sales@tradesmanmfg.ca

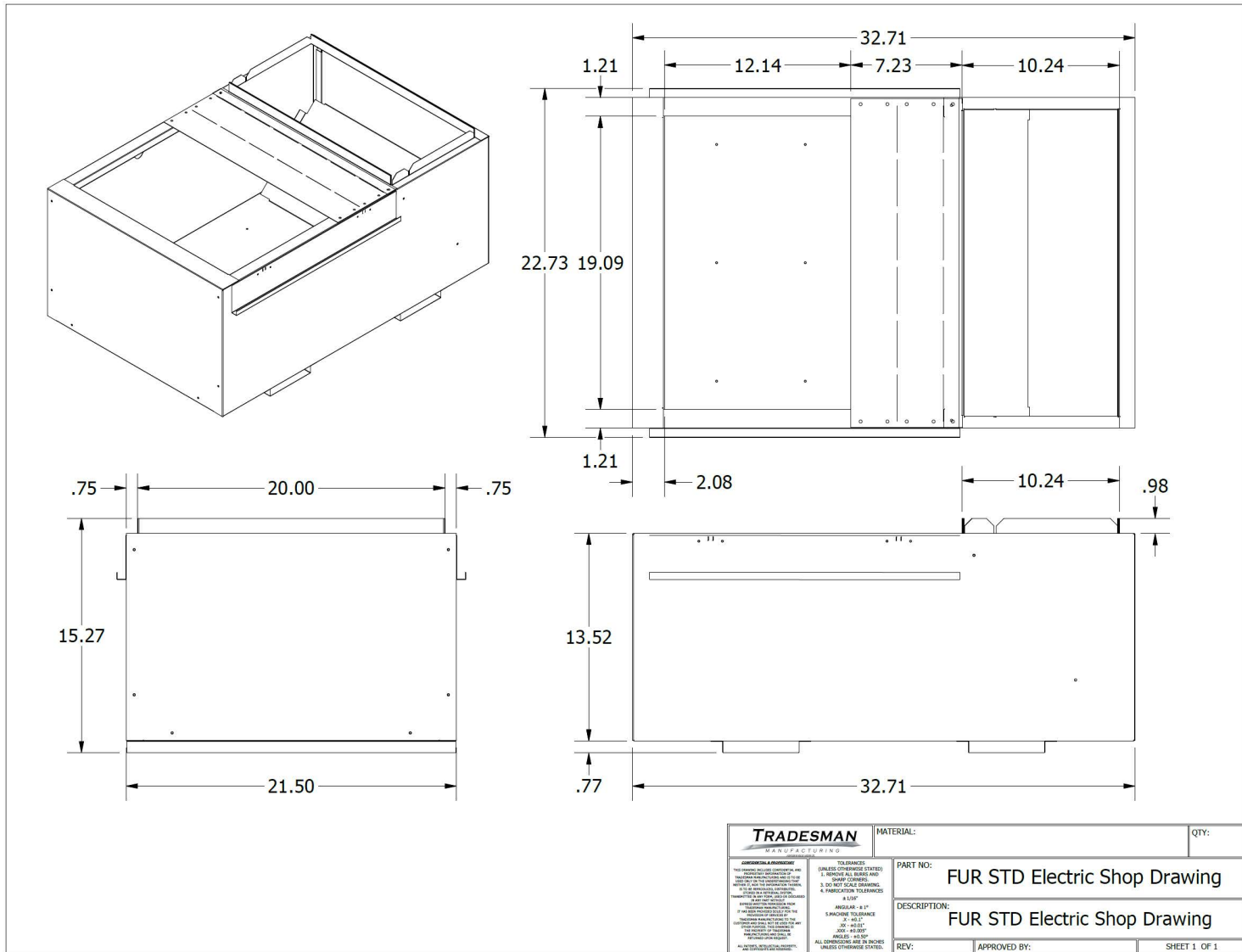
www.tradesmanmfg.ca

Specifications are subject to change without notice or obligation. All Tradesman Manufacturing products are guaranteed against defective material.

ELECTRIC FURNACE STAND

TRADESMAN

MANUFACTURING



(403) 327-9871

sales@tradesmanmfg.ca

www.tradesmanmfg.ca

Specifications are subject to change without notice or obligation. All Tradesman Manufacturing products are guaranteed against defective material.