

TRADESMAN

MANUFACTURING

INSTALLATION INSTRUCTIONS:

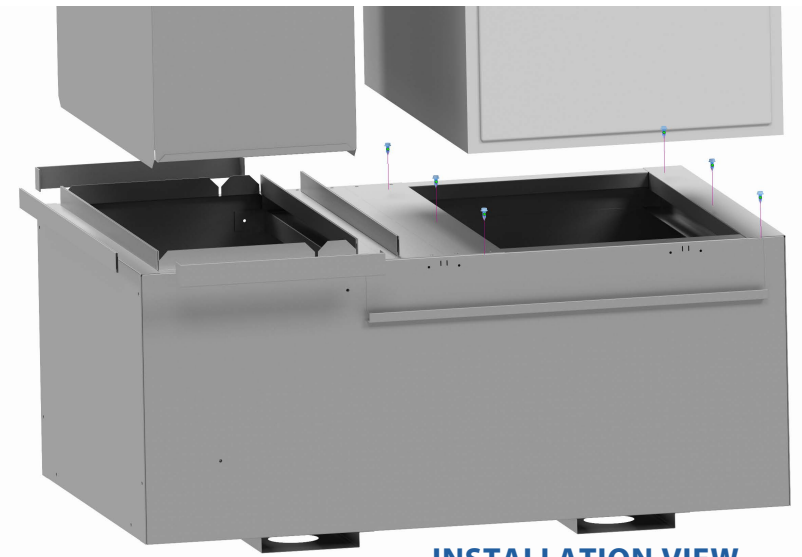
- 1- Position electric furnace stand, then place furnace on top. Seal and screw inside furnace flange to stand, using minimum of six 1/2" sheet metal screws.
- 2- Measure from top of stand to air return duct, to get required length of return air duct drop, then cut to length.
- 3- Return air drop is installed using a slip and drive cleat. See cleat instructions for assembly.
- 4- To open filter door, grasp handle and pull up.

NOTE:

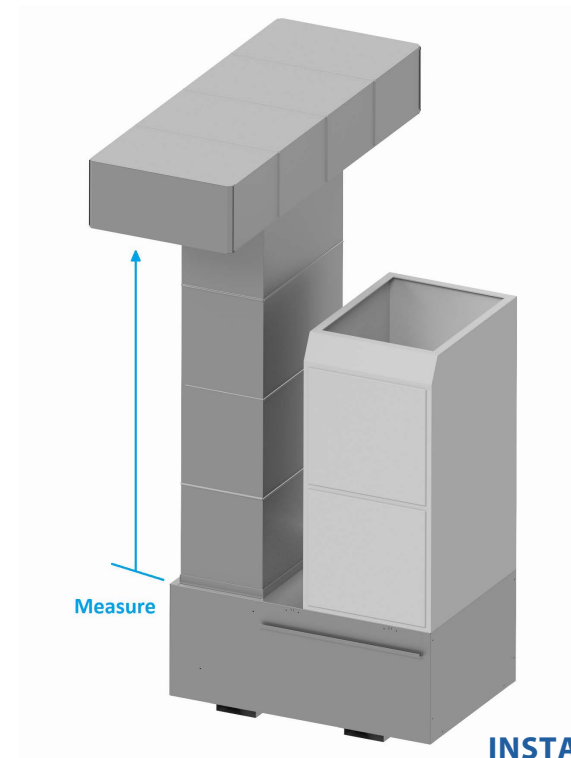
Used for residential applications. Industrial tape, foil, or sealer can be used, but we recommend using metal screws to install. Follow furnace filter replacement instructions.

WARNING!!

Improper installation may result in damage to product or inefficiencies in the system. Use proper PPE and equipment during cutting, bending, and installation processes. If local codes differ from these instructions follow local building codes.



INSTALLATION VIEW



INSTALLED VIEW

(403) 327-9871

sales@tradesmanmfg.ca

www.tradesmanmfg.ca

Specifications are subject to change without notice or obligation. All Tradesman Manufacturing products are guaranteed against defective material.