

## DESCRIPTION

The Tradesman filter rack is designed to be used for any up flow, down flow, or horizontal application for all types of forced air residential furnaces.

## CONSTRUCTION

Made of 26GA galvanized complete with gasketed door for the most efficient way of filtering air passing through a furnace. Can be made to fit 1", 2", or 4" filters and available in four different sizes (see chart).

## FEATURES

- Gasketed door for better efficiency.
- 100% laser cut for accuracy.
- Pass through screw holes for easy installation.
- Option for multiple filter widths.
- Made to fit Tradesman return air elbow.

## GUARANTEE

Made in Canada. All Tradesman Manufacturing products are guaranteed against defective material.

## OPTIONAL CONSTRUCTION

Custom sizes available upon request to suit any and all applications.

**Contact Tradesman Manufacturing for availability, pricing, and lead time.**

| Product Code  | A (in) | B (in)  | C (in) | D (in) | Track Width |
|---------------|--------|---------|--------|--------|-------------|
| FTR/1625/11GV | 16.25" | 14.625" | 24.68" | 23.1"  | 1           |
| FTR/1625/31GV | 16.25" | 14.625" | 24.68" | 23.1"  | 1           |
| FTR/1625/71GV | 16.25" | 14.625" | 24.68" | 23.1"  | 1           |
| FTR/1625/75GV | 16.25" | 14.625" | 24.68" | 23.1"  | 5           |
| FTR/2025/11GV | 20.25" | 18.63"  | 24.64" | 23.1"  | 1           |
| FTR/2025/31GV | 20.25" | 18.63"  | 24.64" | 23.1"  | 1           |
| FTR/2025/71GV | 20.25" | 18.63"  | 24.64" | 23.1"  | 1           |
| FTR/2025/75GV | 20.25" | 18.63"  | 24.64" | 23.1"  | 5           |
| FTR/1620/11GV | 16.25" | 14.625" | 19.64" | 18.1"  | 1           |
| FTR/1620/31GV | 16.25" | 14.625" | 19.64" | 18.1"  | 1           |
| FTR/2020/11GV | 20.25" | 18.63"  | 19.64" | 18.1"  | 1           |
| FTR/1625/741  | 16.26" | 16.625" | 24.64" | 23.1"  | 4&1         |
| FTR/2025/741  | 21.87" | 18.63"  | 26.19" | 23.1"  | 4&1         |

**FILTER RACK**



[\(403\) 327-9871](tel:4033279871)

[sales@tradesmanmfg.ca](mailto:sales@tradesmanmfg.ca)

[www.tradesmanmfg.ca](http://www.tradesmanmfg.ca)

Specifications are subject to change without notice or obligation. All Tradesman Manufacturing products are guaranteed against defective material.

**FILTER RACK (2025741)**



[\(403\) 327-9871](tel:4033279871)

[sales@tradesmanmfg.ca](mailto:sales@tradesmanmfg.ca)

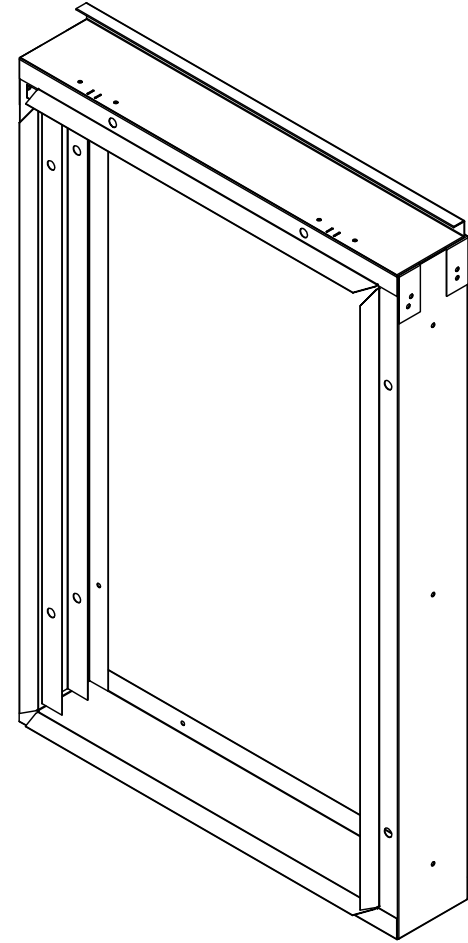
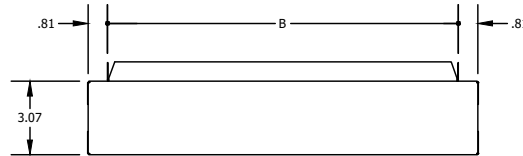
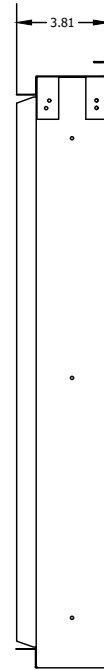
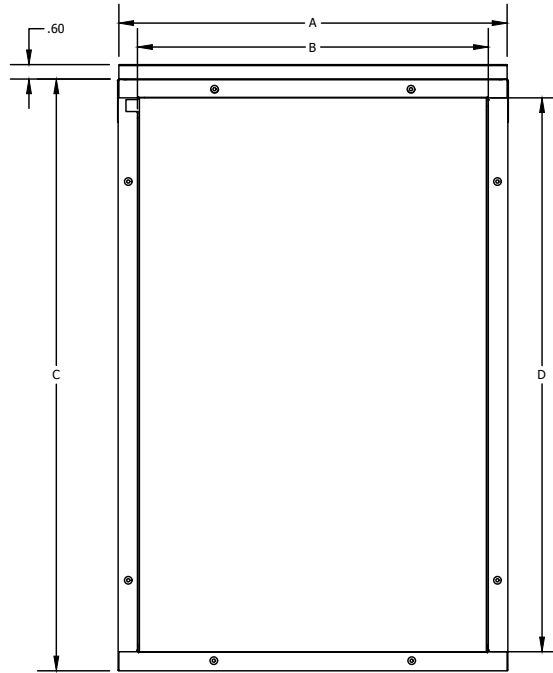
[www.tradesmanmfg.ca](http://www.tradesmanmfg.ca)

Specifications are subject to change without notice or obligation. All Tradesman Manufacturing products are guaranteed against defective material.

# TRADESMAN

MANUFACTURING

# FILTER RACK



FTR/1625/31GV

[\(403\) 327-9871](tel:(403)327-9871)

[sales@tradesmanmfg.ca](mailto:sales@tradesmanmfg.ca)

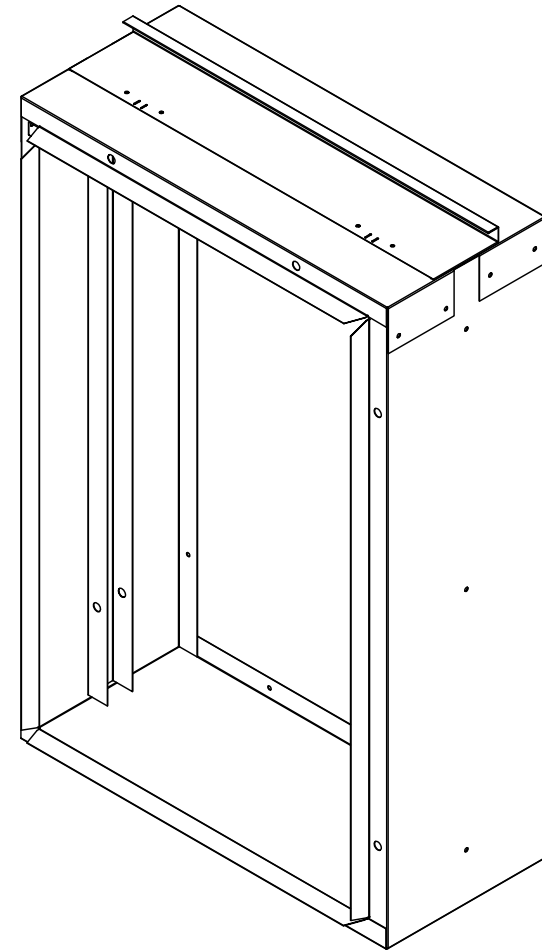
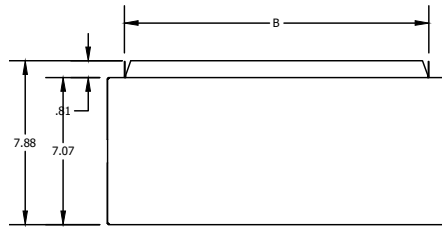
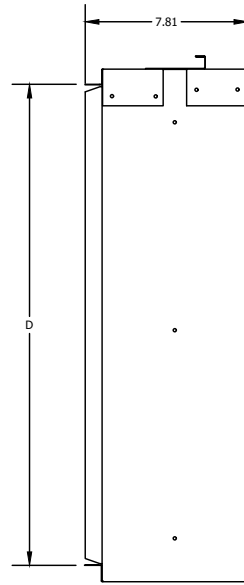
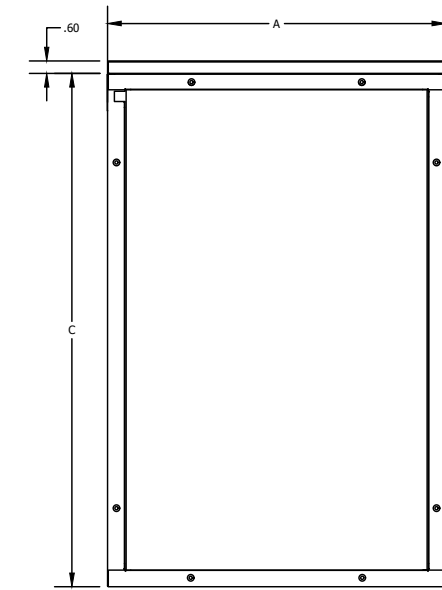
[www.tradesmanmfg.ca](http://www.tradesmanmfg.ca)

Specifications are subject to change without notice or obligation. All Tradesman Manufacturing products are guaranteed against defective material.

# TRADESMAN

MANUFACTURING

# FILTER RACK



FTR/1625/75GV

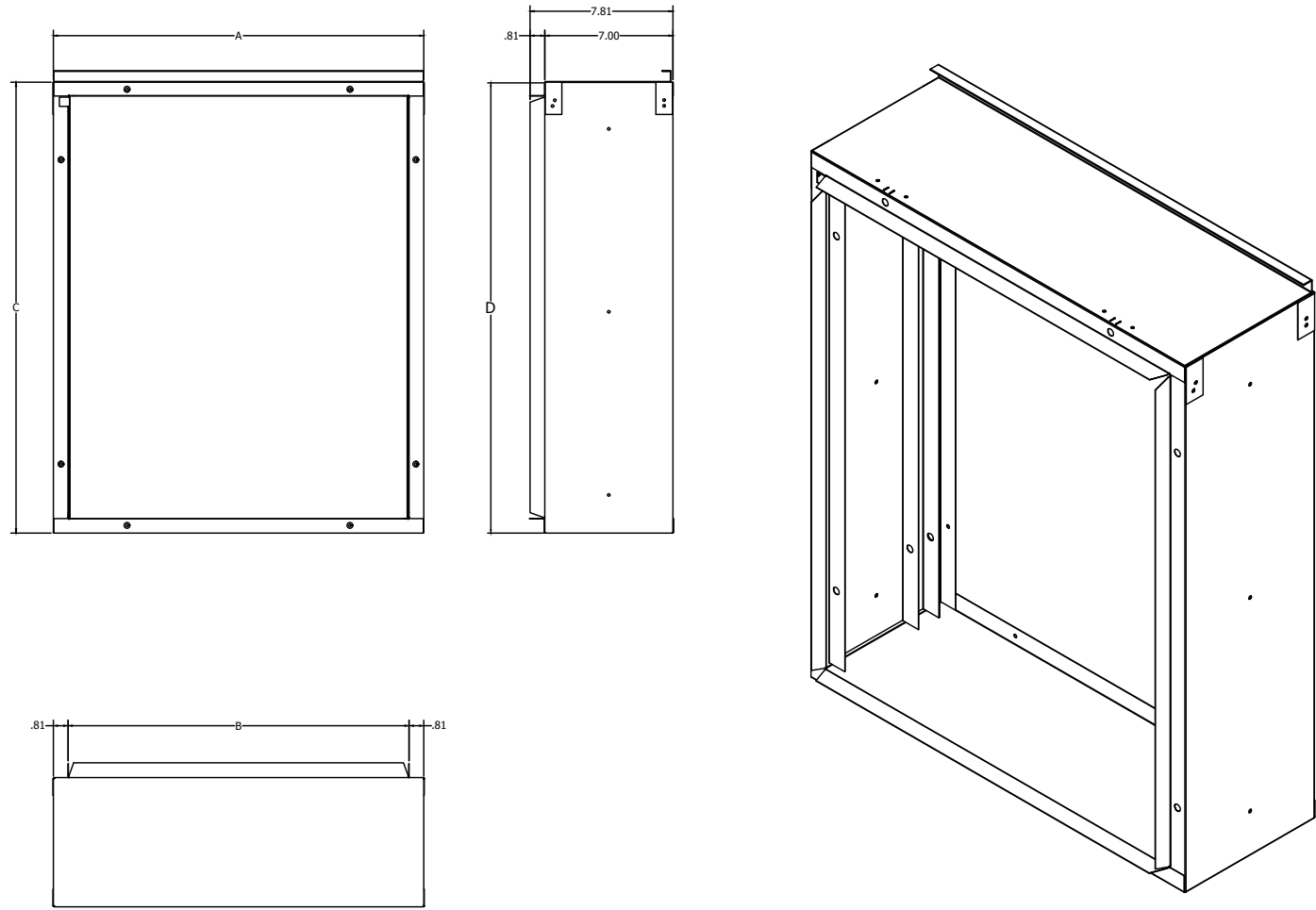
[\(403\) 327-9871](tel:(403)327-9871)

[sales@tradesmanmfg.ca](mailto:sales@tradesmanmfg.ca)

[www.tradesmanmfg.ca](http://www.tradesmanmfg.ca)

Specifications are subject to change without notice or obligation. All Tradesman Manufacturing products are guaranteed against defective material.

**FILTER RACK**



FTR/1625/741

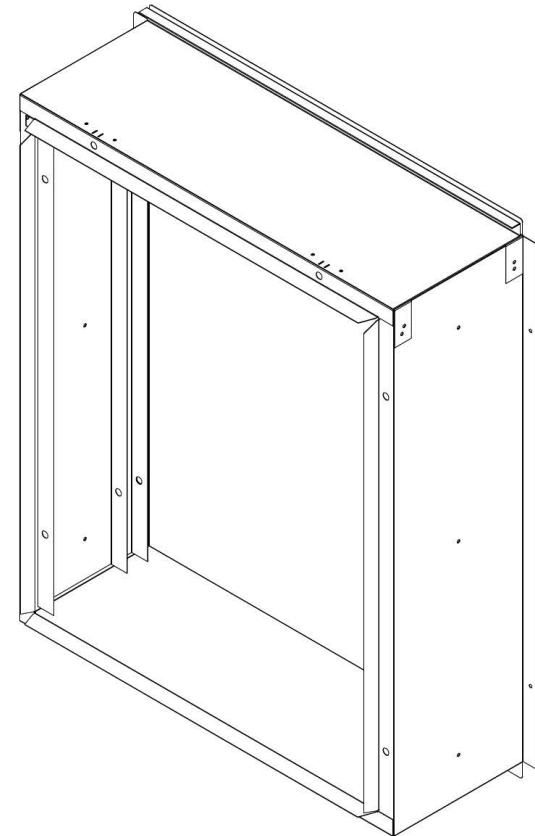
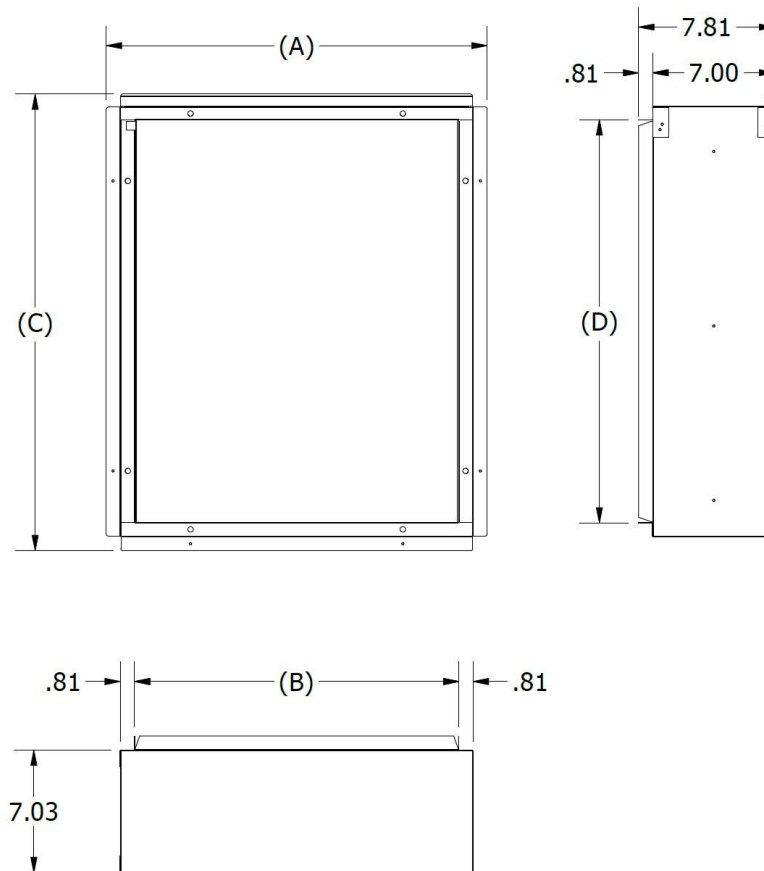
[\(403\) 327-9871](tel:(403)327-9871)

[sales@tradesmanmfg.ca](mailto:sales@tradesmanmfg.ca)

[www.tradesmanmfg.ca](http://www.tradesmanmfg.ca)

Specifications are subject to change without notice or obligation. All Tradesman Manufacturing products are guaranteed against defective material.

**FILTER RACK (2025741)**



FTR/2025/741