

## DESCRIPTION

Tradesman's Straight Take Off Press On is designed for low to medium pressure application.

## CONSTRUCTION

Made of 24GA or 26GA galvanized.

Different options are available:

- G - Gasket
- DG - Damper & Gasket
- SDG - Stand off Damper & Gasket

## FEATURES

100% laser cut for accuracy.

Made to fit Tradesman pipe and fittings.

## GUARANTEE

Made in Canada. All Tradesman Manufacturing products are guaranteed against defective material.

Contact Tradesman Manufacturing for availability, pricing, and lead time.

Product Code	A (in)	B (in)	C (in)	Gauge	Carton Qty
STP/0004	4"	6"	7.88"	24	15
STP/0005	5"	7"	7.88"	24	10
STP/0006	6"	8"	7.88"	24	24
STP/0007	7"	9"	7.88"	24	18
STP/0008	8"	10"	7.88"	24	12
STP/0009	9"	11"	7.88"	24	12
STP/0010	10"	12"	7.88"	24	6
STP/0012	12"	14"	7.88"	24	N/A
STP/0014	14"	16"	7.88"	24	N/A
STP/0016	16"	18"	7.88"	24	N/A
STP/0018	18"	20"	7.88"	24	N/A
STP/0020	20"	22"	7.88"	24	N/A



[\(403\) 327-9871](tel:4033279871)

[sales@tradesmanmfg.ca](mailto:sales@tradesmanmfg.ca)

[www.tradesmanmfg.ca](http://www.tradesmanmfg.ca)

Specifications are subject to change without notice or obligation. All Tradesman Manufacturing products are guaranteed against defective material.

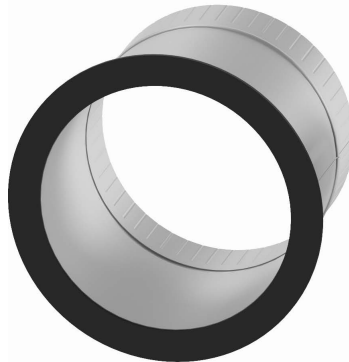
# TRADESMAN

MANUFACTURING

## STRAIGHT TAKE OFF

Product Code	A (in)	B (in)	C (in)	Gauge	Carton Qty
STP/0004/G	4"	6"	8"	24	15
STP/0005/G	5"	7"	8"	24	10
STP/0006/G	6"	8"	8"	24	24
STP/0007/G	7"	9"	8"	24	18
STP/0008/G	8"	10"	8"	24	12
STP/0009/G	9"	11"	8"	24	12
STP/0010/G	10"	12"	8"	24	6
STP/0012/G	12"	14"	8"	24	N/A
STP/0014/G	14"	16"	8"	24	N/A
STP/0016/G	16"	18"	8"	24	N/A
STP/0018/G	18"	20"	8"	24	N/A
STP/0020/G	20"	22"	8"	24	N/A

- Gasket



[\(403\) 327-9871](tel:4033279871)

Product Code	A (in)	B (in)	C (in)	Gauge	Carton Qty
STP/0004/DG	4"	6"	8"	26	15
STP/0005/DG	5"	7"	8"	26	10
STP/0006/DG	6"	8"	8"	26	24
STP/0007/DG	7"	9"	8"	26	18
STP/0008/DG	8"	10"	8"	26	12
STP/0009/DG	9"	11"	8"	26	12
STP/0010/DG	10"	12"	8"	26	6
STP/0012/DG	12"	14"	8"	26	N/A
STP/0014/DG	14"	16"	8"	24	N/A
STP/0016/DG	16"	18"	8"	24	N/A
STP/0018/DG	18"	20"	8"	24	N/A
STP/0020/DG	20"	22"	8"	24	N/A

- Gasket
- Damper



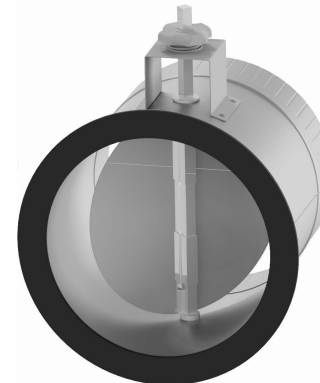
[sales@tradesmanmfg.ca](mailto:sales@tradesmanmfg.ca)

[www.tradesmanmfg.ca](http://www.tradesmanmfg.ca)

Specifications are subject to change without notice or obligation. All Tradesman Manufacturing products are guaranteed against defective material.

Product Code	A (in)	B (in)	C (in)	Gauge	Carton Qty
STP/0004/SDG	4"	6"	9"	24	12
STP/0005/SDG	5"	7"	9"	24	10
STP/0006/SDG	6"	8"	9"	24	24
STP/0007/SDG	7"	9"	9"	24	18
STP/0008/SDG	8"	10"	9"	24	12
STP/0009/SDG	9"	11"	9"	24	12
STP/0010/SDG	10"	12"	9"	24	6
STP/0012/SDG	12"	14"	9"	24	N/A
STP/0014/SDG	14"	16"	9"	24	N/A
STP/0016/SDG	16"	18"	9"	24	N/A
STP/0018/SDG	18"	20"	9"	24	N/A
STP/0020/SDG	20"	22"	9"	24	N/A

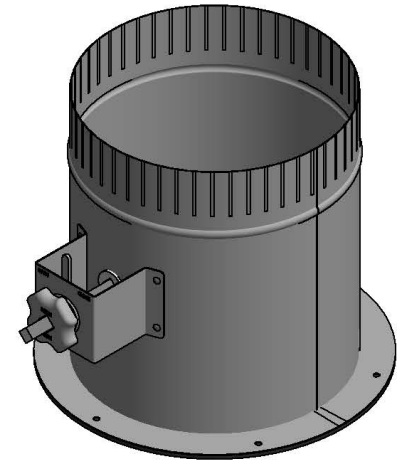
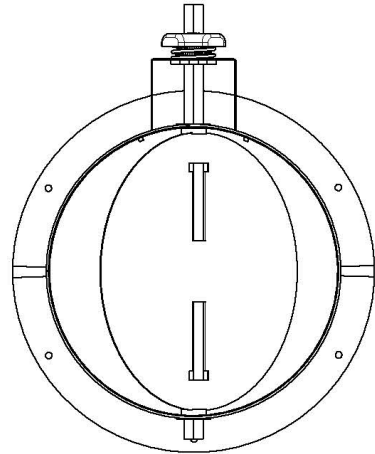
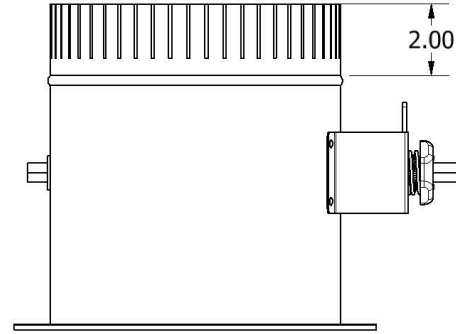
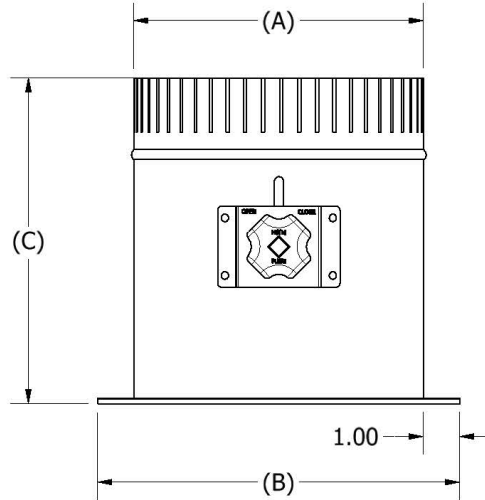
- Gasket
- 2" Stand Off Damper



# STRAIGHT TAKE OFF

# TRADESMAN

MANUFACTURING



TRADESMAN MANUFACTURING		MATERIAL:	QTY:
<b>ADMINISTRATIVE INFORMATION</b> 1. THIS DRAWING IS THE PROPERTY OF TRADESMAN MANUFACTURING. IT IS TO BE USED ONLY FOR THE PURPOSES SPECIFIED HEREIN. 2. NO PARTS OR MATERIALS ARE TO BE USED UNLESS SPECIFICALLY APPROVED BY TRADESMAN MANUFACTURING. 3. ALL DIMENSIONS ARE IN INCHES UNLESS OTHERWISE SPECIFIED. 4. ANGLES ARE IN DEGREES UNLESS OTHERWISE SPECIFIED. 5. FINISHES ARE AS SHOWN UNLESS OTHERWISE SPECIFIED. 6. UNLESS OTHERWISE SPECIFIED, ALL DIMENSIONS ARE TO BE HOLD TO THE CLOSEST TOLERANCE PERMITTED BY THE MANUFACTURING PROCESS. 7. UNLESS OTHERWISE SPECIFIED, ALL DIMENSIONS ARE TO BE HOLD TO THE CLOSEST TOLERANCE PERMITTED BY THE MANUFACTURING PROCESS. 8. UNLESS OTHERWISE SPECIFIED, ALL DIMENSIONS ARE TO BE HOLD TO THE CLOSEST TOLERANCE PERMITTED BY THE MANUFACTURING PROCESS.	<b>TOLERANCES</b> (UNLESS OTHERWISE SPECIFIED) 1. HOLE TO HOLE DIMENSIONS 2. HOLE TO HOLE DIMENSIONS 3. HOLE TO HOLE DIMENSIONS 4. FABRICATION TOLERANCES 5. 0.005" 6. 0.005" 7. 0.005" 8. 0.005" 9. 0.005" 10. 0.005" 11. 0.005" 12. 0.005" 13. 0.005" 14. 0.005" 15. 0.005" 16. 0.005" 17. 0.005" 18. 0.005" 19. 0.005" 20. 0.005" 21. 0.005" 22. 0.005" 23. 0.005" 24. 0.005" 25. 0.005" 26. 0.005" 27. 0.005" 28. 0.005" 29. 0.005" 30. 0.005" 31. 0.005" 32. 0.005" 33. 0.005" 34. 0.005" 35. 0.005" 36. 0.005" 37. 0.005" 38. 0.005" 39. 0.005" 40. 0.005" 41. 0.005" 42. 0.005" 43. 0.005" 44. 0.005" 45. 0.005" 46. 0.005" 47. 0.005" 48. 0.005" 49. 0.005" 50. 0.005" 51. 0.005" 52. 0.005" 53. 0.005" 54. 0.005" 55. 0.005" 56. 0.005" 57. 0.005" 58. 0.005" 59. 0.005" 60. 0.005" 61. 0.005" 62. 0.005" 63. 0.005" 64. 0.005" 65. 0.005" 66. 0.005" 67. 0.005" 68. 0.005" 69. 0.005" 70. 0.005" 71. 0.005" 72. 0.005" 73. 0.005" 74. 0.005" 75. 0.005" 76. 0.005" 77. 0.005" 78. 0.005" 79. 0.005" 80. 0.005" 81. 0.005" 82. 0.005" 83. 0.005" 84. 0.005" 85. 0.005" 86. 0.005" 87. 0.005" 88. 0.005" 89. 0.005" 90. 0.005" 91. 0.005" 92. 0.005" 93. 0.005" 94. 0.005" 95. 0.005" 96. 0.005" 97. 0.005" 98. 0.005" 99. 0.005" 100. 0.005"	<b>PART NO:</b> STP Shop Drawing	
		<b>DESCRIPTION:</b> STP Shop Drawing	
<b>REV:</b> 0	<b>APPROVED BY:</b>	<b>SHEET 1 OF 1</b>	

(403) 327-9871

[sales@tradesmanmfg.ca](mailto:sales@tradesmanmfg.ca)

[www.tradesmanmfg.ca](http://www.tradesmanmfg.ca)

Specifications are subject to change without notice or obligation. All Tradesman Manufacturing products are guaranteed against defective material.