

## DESCRIPTION

Tradesman's Saddle Take Off Press On is designed for low to medium pressure application.

## CONSTRUCTION

Made of 24GA or 26GA galvanized.

Different options are available:

- G - Gasket
- DG - Damper & Gasket
- SDG - Stand off Damper & Gasket

## FEATURES

100% laser cut for accuracy.

Made to fit Tradesman pipe and fittings.

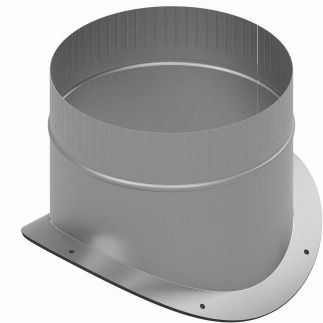
## GUARANTEE

Made in Canada. All Tradesman Manufacturing products are guaranteed against defective material.

Contact Tradesman Manufacturing for availability, pricing, and lead time.

Product Code	A (in)	B (in)	C (in)	Gauge	Carton Qty
SAP/0004/G	4"	6"-10"	7"	26	12
SAP/0005/G	5"	6"-10"	7"	26	9
SAP/0006/G	6"	8"-12"	7"	26	24
SAP/0007/G	7"	8"-12"	7"	26	20
SAP/0008/G	8"	10"-14"	7"	26	16
SAP/0009/G	9"	10"-14"	7"	26	16
SAP/0010/G	10"	12"-16"	8"	26	8
SAP/0012/G	12"	14"-18"	8"	24	N/A
SAP/0014/G	14"	16"-20"	8"	24	N/A
SAP/0016/G	16"	18"-22"	8"	24	N/A
SAP/0018/G	18"	20"-24"	9"	24	N/A
SAP/0020/G	20"	22"-26"	9"	24	N/A

- Gasket

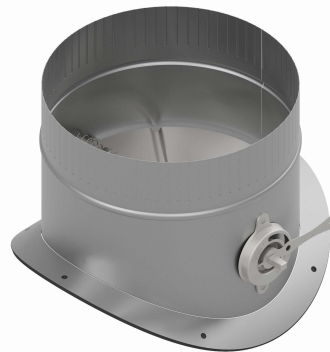


# SADDLE TAKE OFF

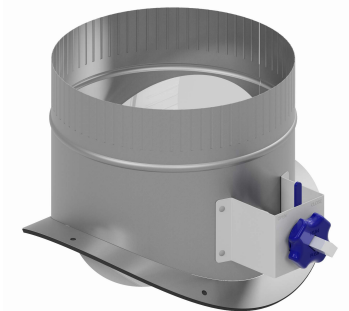
Product Code	A (in)	B (in)	C (in)	Gauge	Carton Qty
SAP/0004/DG	4"	6"-10"	7"	26	12
SAP/0005/DG	5"	6"-10"	7"	26	9
SAP/0006/DG	6"	8"-12"	7"	26	24
SAP/0007/DG	7"	8"-12"	7"	26	20
SAP/0008/DG	8"	10"-14"	7"	26	16
SAP/0009/DG	9"	10"-14"	7"	26	16
SAP/0010/DG	10"	12"-16"	8"	26	8
SAP/0012/DG	12"	14"-18"	8"	24	N/A
SAP/0014/DG	14"	16"-20"	8"	24	N/A
SAP/0016/DG	16"	18"-22"	8"	24	N/A
SAP/0018/DG	18"	20"-24"	9"	24	N/A
SAP/0020/DG	20"	22"-26"	9"	24	N/A

Product Code	A (in)	B (in)	C (in)	Gauge	Carton Qty
SAP/0004/SDG	4"	6"-10"	7"	26	12
SAP/0005/SDG	5"	6"-10"	7"	26	9
SAP/0006/SDG	6"	8"-12"	7"	26	24
SAP/0007/SDG	7"	8"-12"	7"	26	20
SAP/0008/SDG	8"	10"-14"	7"	26	16
SAP/0009/SDG	9"	10"-14"	7"	26	16
SAP/0010/SDG	10"	12"-16"	8"	26	8
SAP/0012/SDG	12"	14"-18"	8"	24	N/A
SAP/0014/SDG	14"	16"-20"	8"	24	N/A
SAP/0016/SDG	16"	18"-22"	8"	24	N/A
SAP/0018/SDG	18"	20"-24"	9"	24	N/A
SAP/0020/SDG	20"	22"-26"	9"	24	N/A

- Gasket
- Damper



- Gasket
- 2" Stand Off Damper



[\(403\) 327-9871](tel:4033279871)

[sales@tradesmanmfg.ca](mailto:sales@tradesmanmfg.ca)

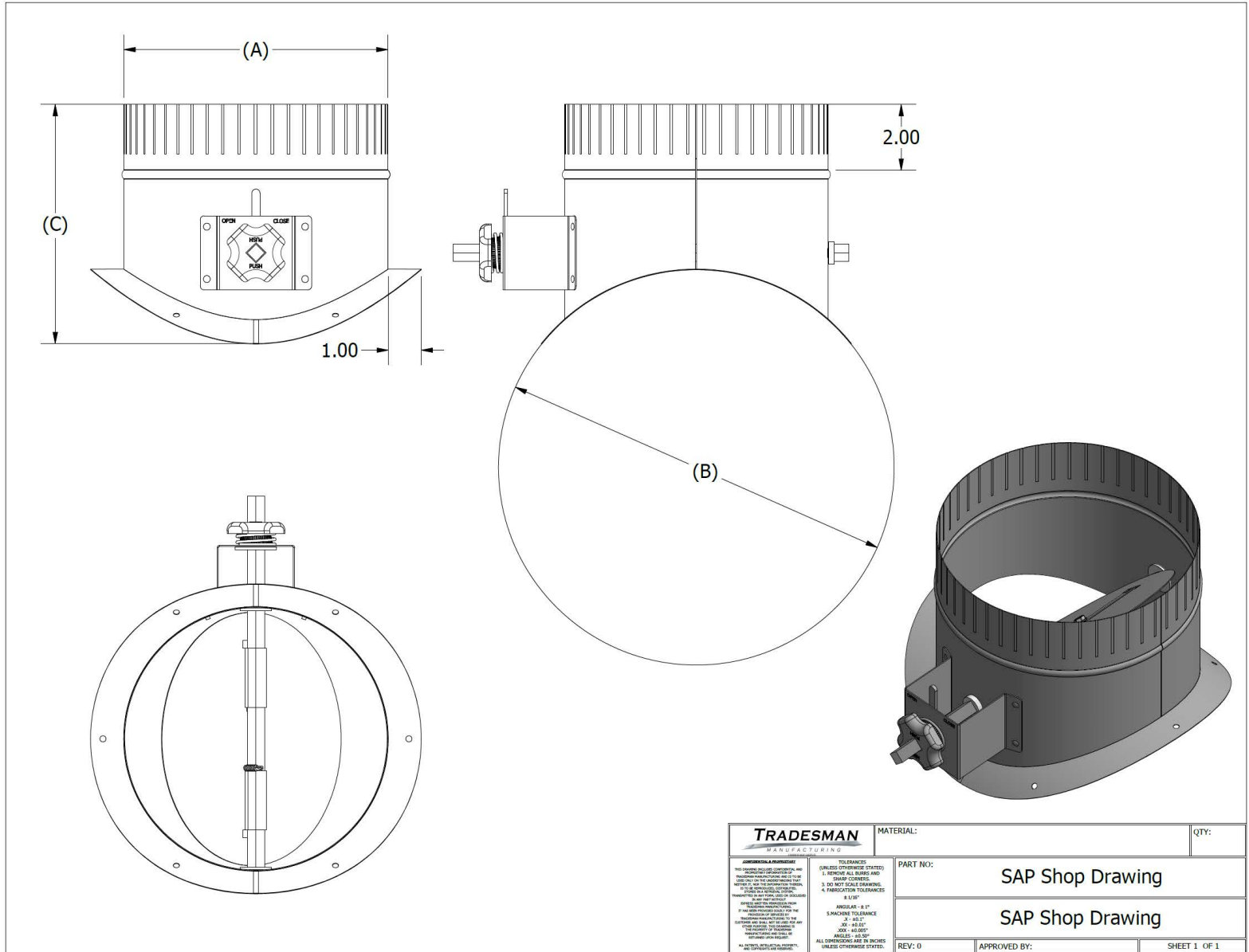
[www.tradesmanmfg.ca](http://www.tradesmanmfg.ca)

Specifications are subject to change without notice or obligation. All Tradesman Manufacturing products are guaranteed against defective material.

# SADDLE TAKE OFF

# TRADESMAN

MANUFACTURING



(403) 327-9871

[sales@tradesmanmfg.ca](mailto:sales@tradesmanmfg.ca)

[www.tradesmanmfg.ca](http://www.tradesmanmfg.ca)

Specifications are subject to change without notice or obligation. All Tradesman Manufacturing products are guaranteed against defective material.