

INSTALLATION INSTRUCTIONS:

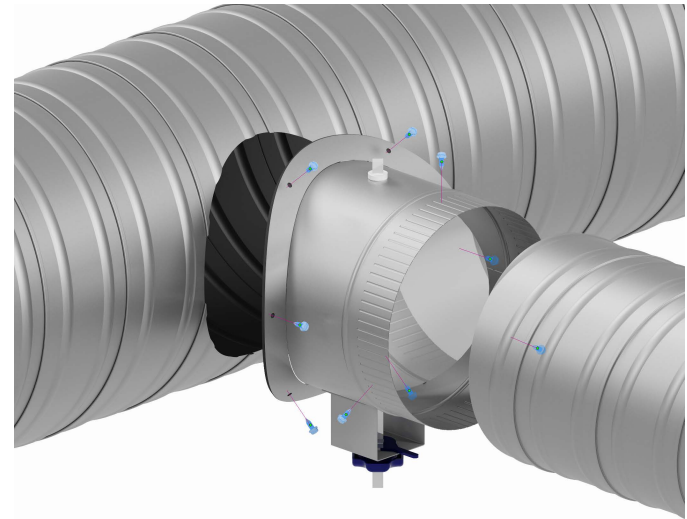
- 1- Mark and cutout piping for saddle take off press on access.
- 2- Remove gasket protecting film. Center SAP on hole cutout.
- 3- Use six 1/2" sheet metal screw on flanges to attach SAP to pipe.
- 4- Slide spiral pipe over crimped end on SAP until tight.
- 5- Use minimum of three 1/2" sheet metal screw to secure pipe to SAP.

TIPS:

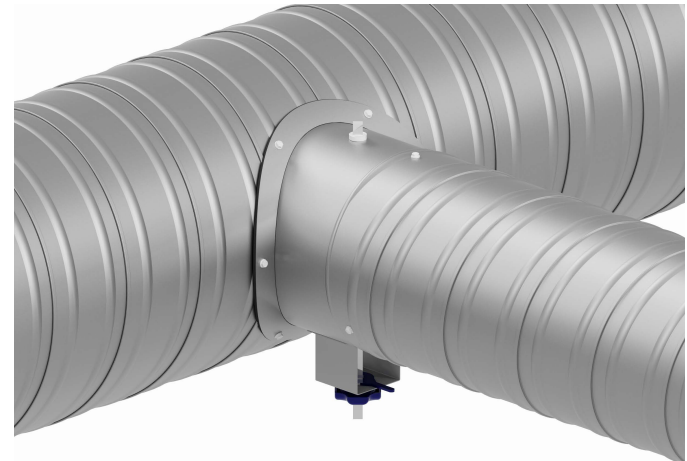
Used for commercial applications. Industrial tape, foil, or sealer can be used in addition to sheet metal screws.

WARNING!!

Improper installation may result in damage to product or inefficiencies in the system. Use proper PPE and equipment during cutting, bending, and installation processes. If local codes differ from these instructions follow local building codes.



INSTALLATION VIEW



INSTALLED VIEW