

INSTALLATION INSTRUCTIONS:

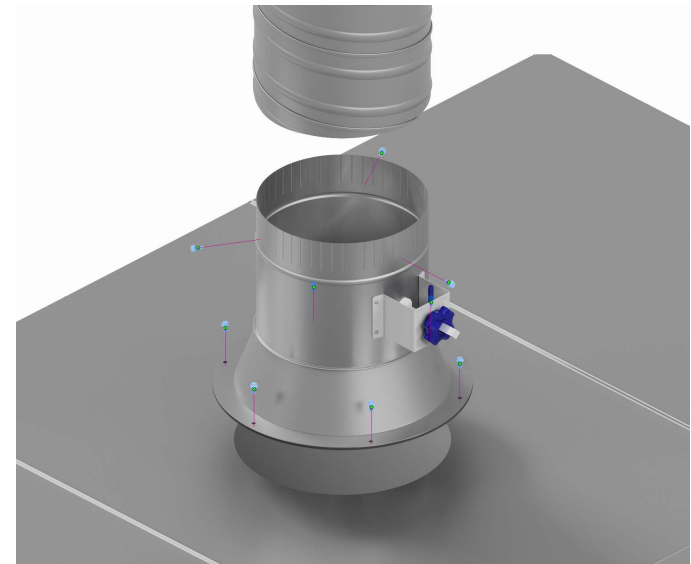
- 1- Mark and cutout ducting for conical damper access.
- 2- Remove gasket protecting film. Center conical damper on hole cutout.
- 3- Use six 1/2" sheet metal screw on flanges to attach conical to duct.
- 4- Slide spiral pipe over crimped end on conical damper until tight.
- 5- Use minimum of three 1/2" sheet metal screw to secure spiral pipe to conical.

TIPS:

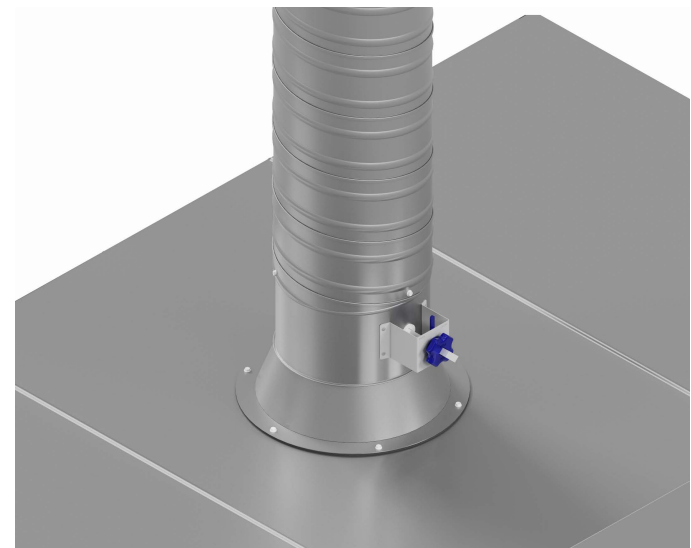
Used for commercial applications. Industrial tape, foil, or sealer can be used in addition to sheet metal screws.

WARNING!!

Improper installation may result in damage to product or inefficiencies in the system. Use proper PPE and equipment during cutting, bending, and installation processes. If local codes differ from these instructions follow local building codes.



INSTALLATION VIEW



INSTALLED VIEW