

DESCRIPTION

The Tradesman saddle takeoff is used for low pressure applications and can be made to fit any size pipe.

CONSTRUCTION

Made of 24GA to 26GA galvanized.

FEATURE

Meets SMACNA requirements.

(3rd Edition Section)

Pressure rating (-1 to +2 water gauge)

Made to fit any size pipe.

GUARANTEE

Made in Canada. All Tradesman Manufacturing products are guaranteed against defective material.

OPTIONAL CONSTRUCTION

20GA to 30GA galvanized

G90 galvanized

304 Stainless Steel

316 Stainless Steel

Aluminum

Satin coat

Contact Tradesman Manufacturing for availability, pricing, and lead time.

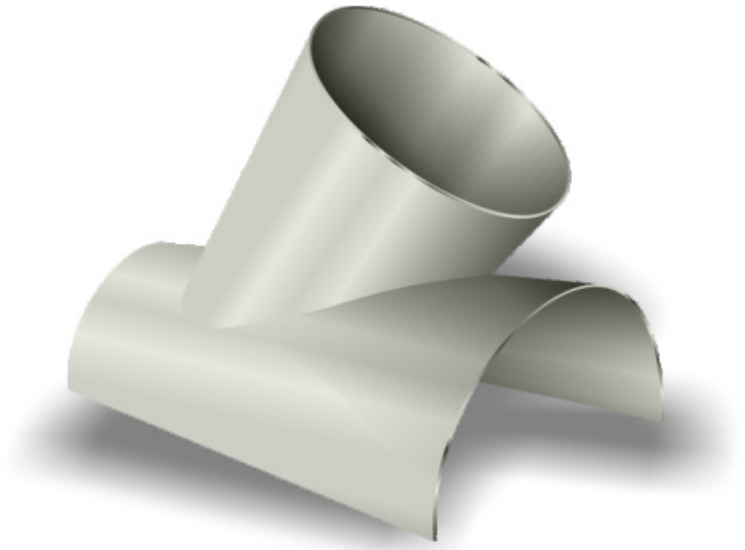
Product Code	Diameter	Box Qty
SWY/0003/28	3	8
SWY/0004/28	4	14
SWY/0005/28	5	10
SWY/0006/28	6	10
SWY/0007/28	7	5
SWY/0008/26	8	N/A
SWY/0009/26	9	N/A
SWY/0010/26	10	N/A
SWY/0012/26	12	N/A
SWY/0014/26	14	N/A
SWY/0016/24	16	N/A
SWY/0018/24	18	N/A
SWY/0020/24	20	N/A
SWY/0022/24	22	N/A
SWY/0024/24	24	N/A

TRADESMAN

MANUFACTURING

TEE & WYE - SADDLE

Product Code	Diameter	Box Qty
SWY/A003/25 (Alum)	3	N/A
SWY/A004/25 (Alum)	4	N/A
SWY/A005/26 (Alum)	5	N/A
SWY/A006/26 (Alum)	6	N/A



[\(403\) 327-9871](tel:4033279871)

sales@tradesmanmfg.ca

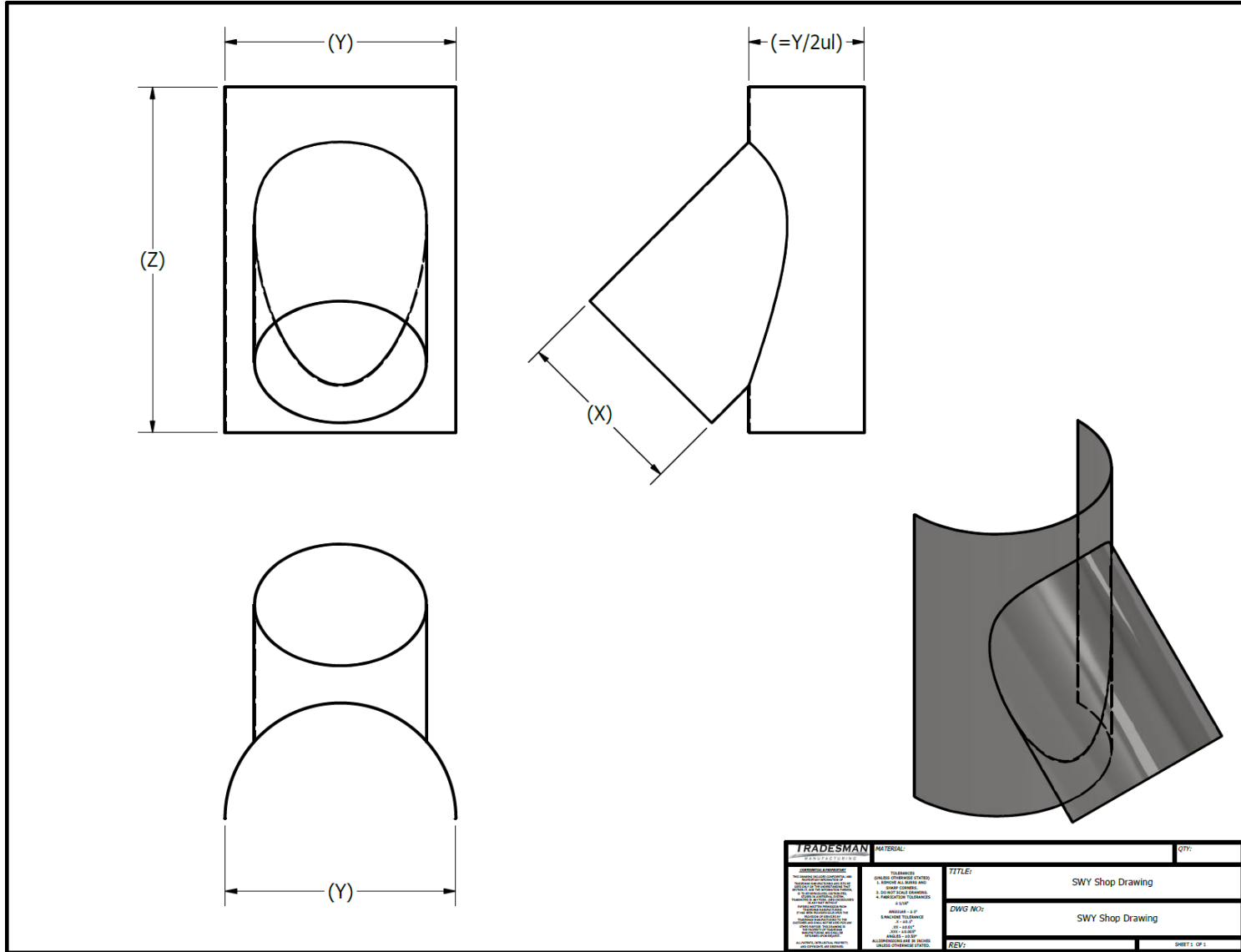
www.tradesmanmfg.ca

Specifications are subject to change without notice or obligation. All Tradesman Manufacturing products are guaranteed against defective material.

TEE & WYE - SADDLE

TRADESMAN

MANUFACTURING



[\(403\) 327-9871](tel:4033279871)

sales@tradesmanmfg.ca

www.tradesmanmfg.ca

Specifications are subject to change without notice or obligation. All Tradesman Manufacturing products are guaranteed against defective material.