

INSTALLATION INSTRUCTIONS:

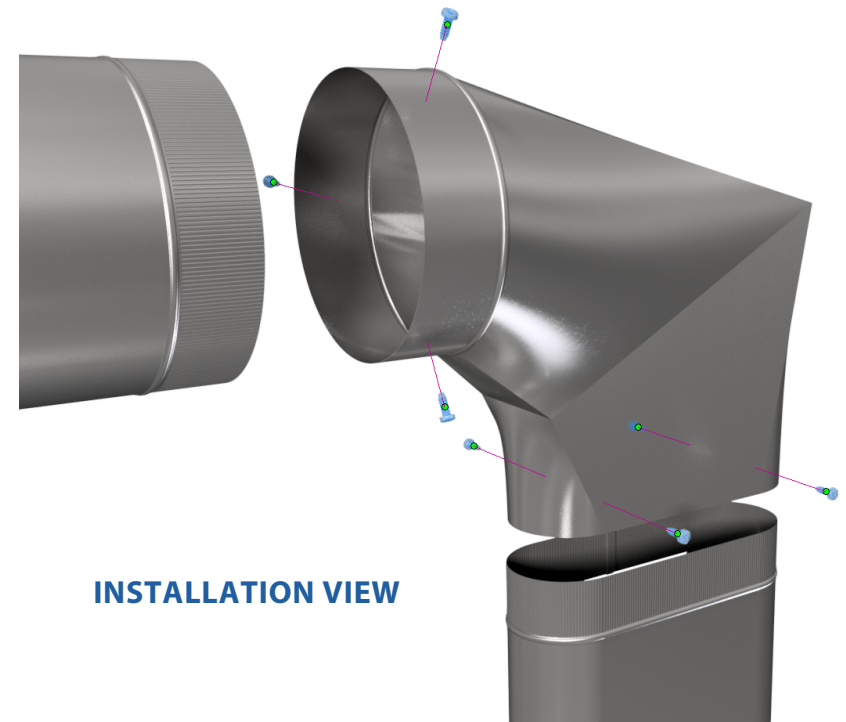
- 1- Slide boot over crimped end on oval pipe until tight.
- 2- Use four 1/2" sheet metal screws to fasten boot to oval pipe.
- 3- Slide boot over crimped end on pipe until tight.
- 4- Use three 1/2" sheet metal screws to fasten boot to pipe.

NOTE:

Used for residential applications. Industrial tape, foil, or sealer can be used, but we recommend using metal screws to install.

WARNING!!

Improper installation may result in damage to product or inefficiencies in the system. Use proper PPE and equipment during cutting, bending, and installation processes. If local codes differ from these instructions follow local building codes.



INSTALLATION VIEW



INSTALLED VIEW