

DESCRIPTION

The Tradesman right angle boot is designed to fit snaplock pipe and standard floor registers.

CONSTRUCTION

Made of 30GA galvanized.

FEATURES

100% laser cut for accuracy
 Safety hem to avoid injury
 Made to fit Tradesman snaplock pipe.
 Nail holes for easier installation.

GUARANTEE

Made in Canada. All Tradesman Manufacturing products are guaranteed against defective material.

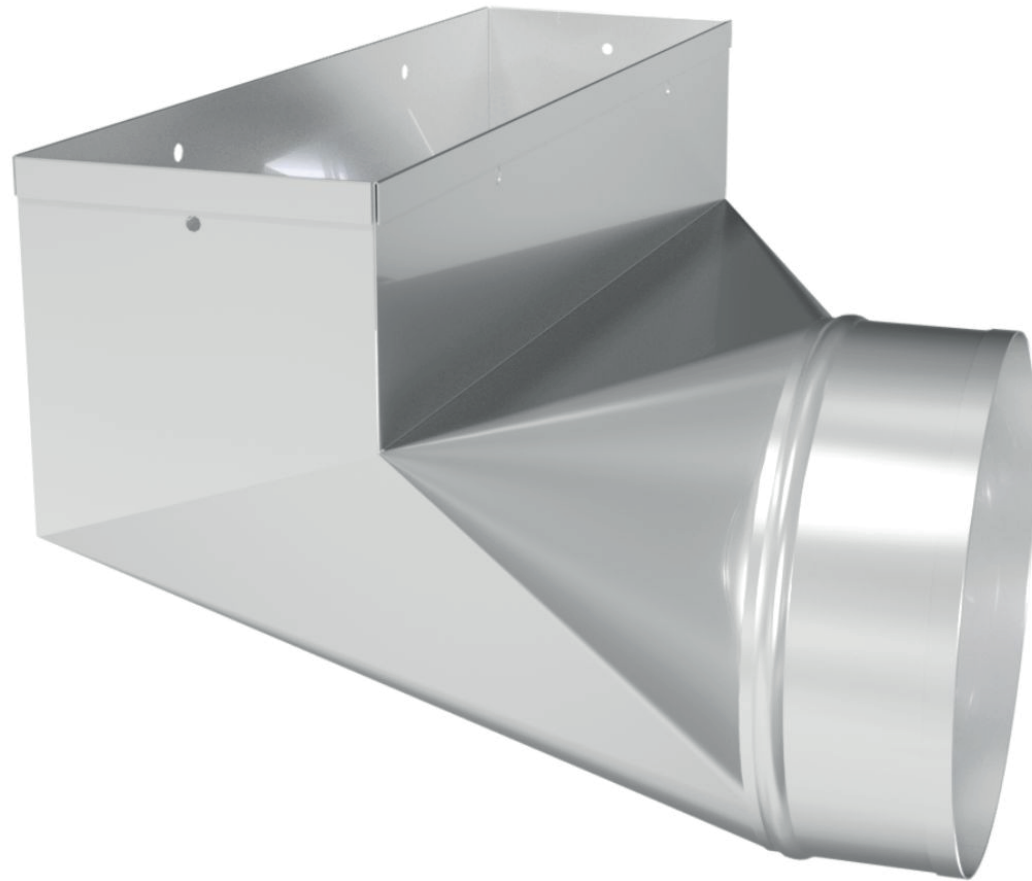
OPTIONAL CONSTRUCTION

Custom sizes available upon request to suit any and all applications.

Contact Tradesman Manufacturing for availability, pricing, and lead time.

Product Code	Square Dimension (Z x Y)	Round Dimension (X)	Box Qty
RAB/0431/SH	10" x 3"	4	35
RAB/0441/SH	10" x 4"	4	30
RAB/0531/SH	10" x 3"	5	35
RAB/0541/SH	10" x 4"	5	28
RAB/0631/SH	10" x 3"	6	28
RAB/0641/SH	10" x 4"	6	24
RAB/0731	10" x 3"	7	24
RAB/0741	10" x 4"	7	18
RAB/5212	12" x 2.25"	5	25
RAB/5412	12" x 4"	5	24
RAB/6212	12" x 2.25"	6	20
RAB/6412	12" x 4"	6	18
RAB/7412	12" x 4"	7	14
RAB/8412	12" x 4"	8	12
RAB/8414	14" x 4"	8	12

BOOTS - RIGHT ANGLE



[\(403\) 327-9871](tel:4033279871)

sales@tradesmanmfg.ca

www.tradesmanmfg.ca

Specifications are subject to change without notice or obligation. All Tradesman Manufacturing products are guaranteed against defective material.

