

TRADESMAN

MANUFACTURING

TEE & WYE - TEE

DESCRIPTION

The Tradesman tee and wye is used to branch a pipe into another pipe at 90 degrees.

CONSTRUCTION

Made of 24GA to 28GA galvanized.

FEATURE

Made to fit Tradesman snaplock pipe.
Big End x Small End for optimal airflow for venting.

GUARANTEE

Made in Canada. All Tradesman Manufacturing products are guaranteed against defective material.

OPTIONAL CONSTRUCTION

Custom sizes available upon request to suit any and all applications.
Optional stainless, aluminum, or satin coat.

Contact Tradesman Manufacturing for availability, pricing, and lead time.

Product Code	Body Dimension (Crimp x No Crimp) (Y)	Branch Diameter (Z)	Box Qty
TEE/0444/26	4" x 4"	4"	60
TEE/0544/26	5" x 4"	4"	36
TEE/0553/26	5" x 5"	3"	14
TEE/0554/26	5" x 5"	4"	36
TEE/0555/26	5" x 5"	5"	30
TEE/0644/26	6" x 4"	4"	27
TEE/0655/26	6" x 5"	5"	18
TEE/0664/26	6" x 6"	4"	27
TEE/0665/26	6" x 6"	5"	24
TEE/0666/26	6" x 6"	6"	20
TEE/0775/26	7" x 7"	5"	20
TEE/0776/26	7" x 7"	6"	20
TEE/0777/26	7" x 7"	7"	12
TEE/0886/26	8" x 8"	6"	12
TEE/0888/26	8" x 8"	8"	12

[\(403\) 327-9871](tel:4033279871)

sales@tradesmanmfg.ca

www.tradesmanmfg.ca

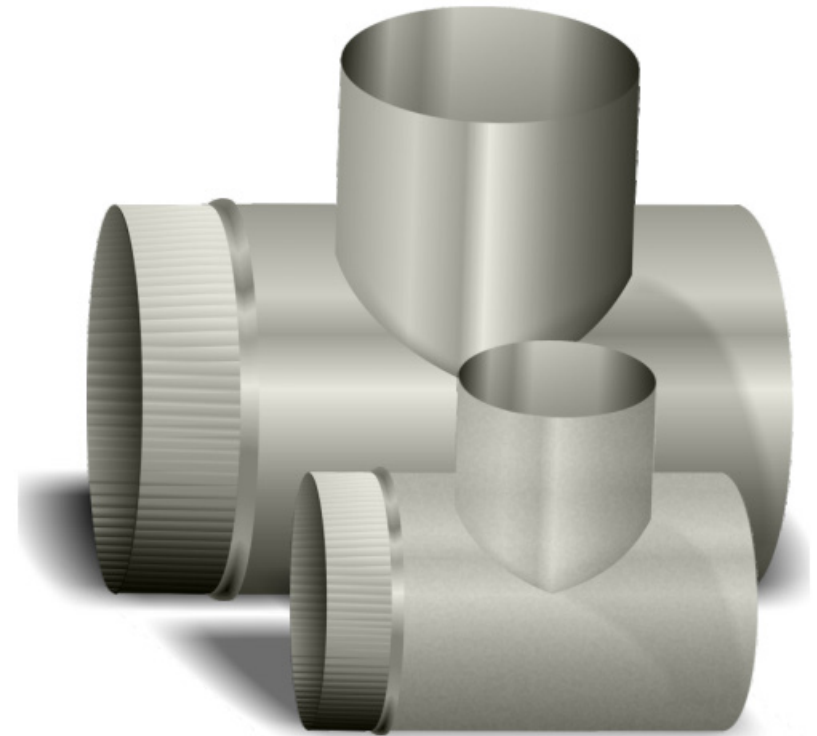
Specifications are subject to change without notice or obligation. All Tradesman Manufacturing products are guaranteed against defective material.

TRADESMAN

MANUFACTURING

TEE & WYE - TEE

Product Code	Body Dimension (Crimp x No Crimp) (Y)	Branch Diameter (Z)	Box Qty
TEE/0999/26	9" x 9"	9"	4
TEE/1006/26	10" x 10"	6"	8
TEE/1008/26	10" x 10"	8"	6
TEE/1010/26	10" x 10"	10"	4
TEE/1212/24	12" x 12"	12"	4
TEE/1414/24	14" x 14"	14"	2



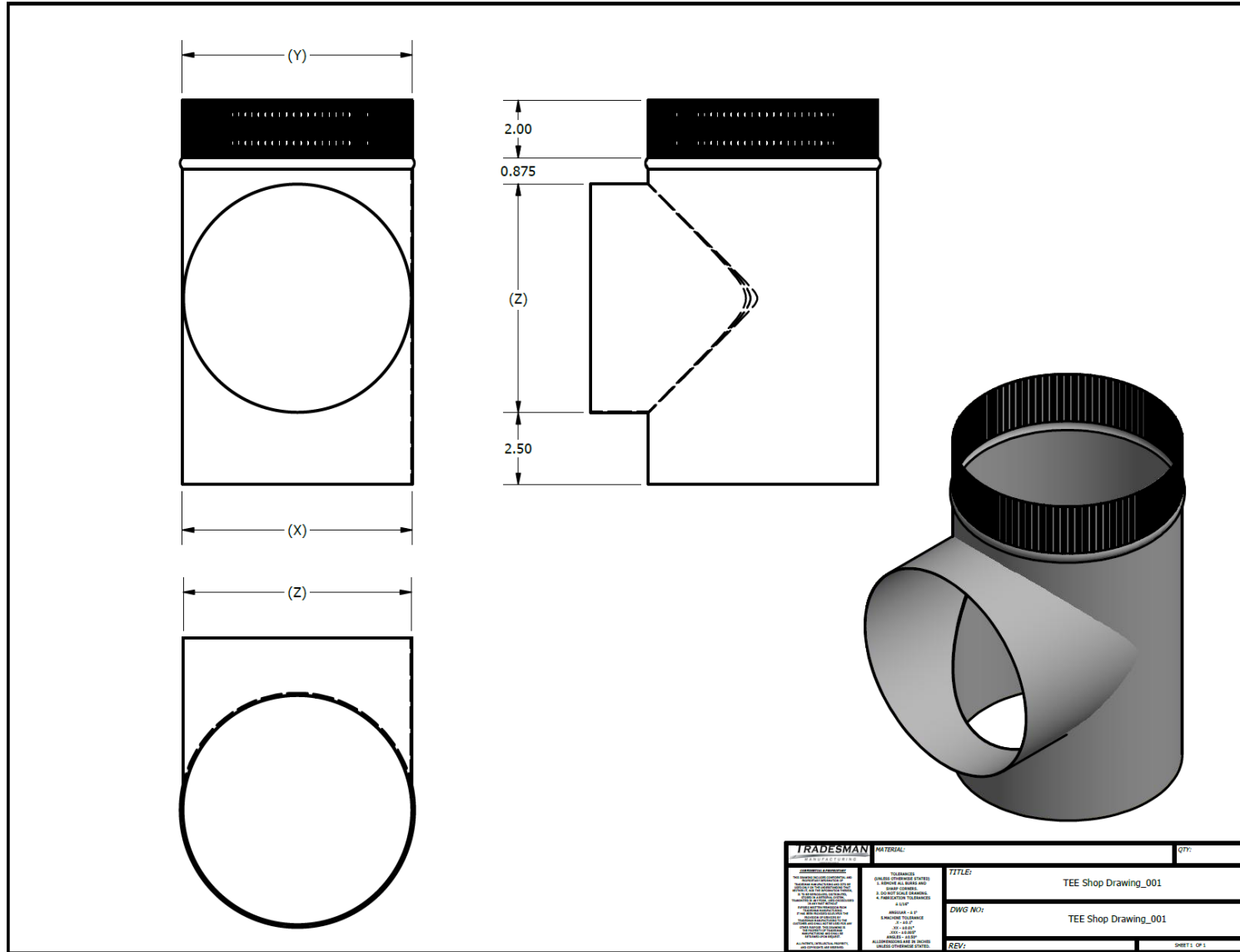
[\(403\) 327-9871](tel:4033279871)

sales@tradesmanmfg.ca

www.tradesmanmfg.ca

Specifications are subject to change without notice or obligation. All Tradesman Manufacturing products are guaranteed against defective material.

TEE & WYE - TEE



[\(403\) 327-9871](tel:4033279871)

sales@tradesmanmfg.ca

www.tradesmanmfg.ca

Specifications are subject to change without notice or obligation. All Tradesman Manufacturing products are guaranteed against defective material.