

DESCRIPTION

The Tradesman spiral pipe is used for attaching round pipe to square duct.

CONSTRUCTION

Made of 26GA to 28GA galvanized.
Dovetail connection with bead.

FEATURE

Made big end or small end.

GUARANTEE

All Tradesman Manufacturing products are guaranteed against defective material.

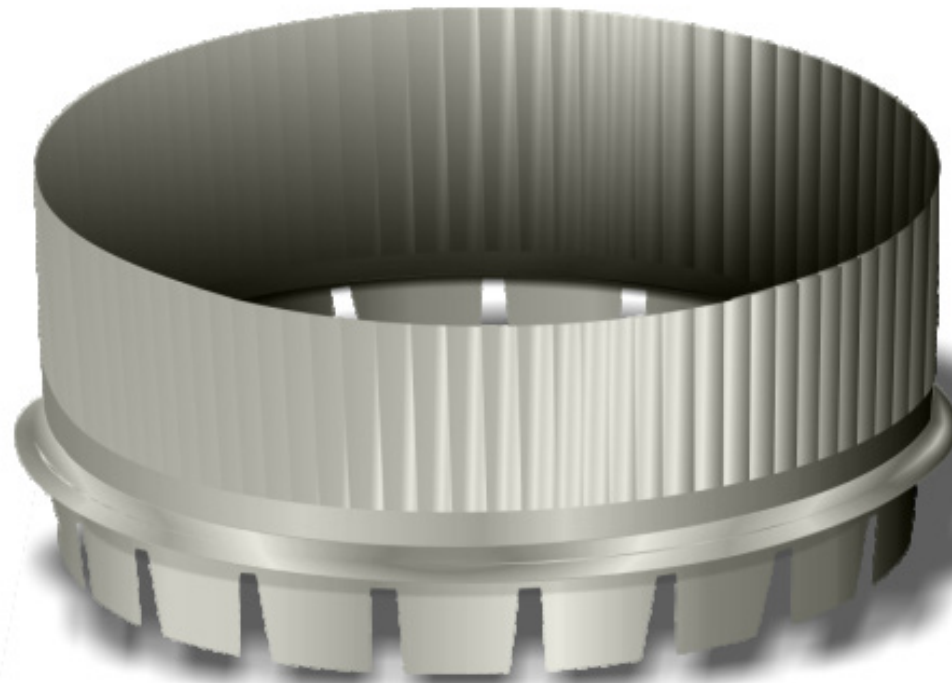
OPTIONAL CONSTRUCTION

Custom sizes and gauges available upon request to suit any and all applications.
Optional damper installed.

Contact Tradesman Manufacturing for availability, pricing, and lead time.

| Product Code | Diameter | Box Qty |
|--------------|----------|---------|
| TAP/x004/28 | 4" | 50 |
| TAP/x005/28 | 5" | 80 |
| TAP/x006/28 | 6" | 40 |
| TAP/x007/28 | 7" | 30 |
| TAP/x008/26 | 8" | 20 |
| TAP/x009/26 | 9" | N/A |
| TAP/x010/26 | 10" | 18 |
| TAP/x012/26 | 12" | 20 |
| TAP/x014/26 | 14" | N/A |
| TAP/x016/24 | 16" | 10 |
| TAP/x018/24 | 18" | N/A |
| TAP/x020/24 | 20" | N/A |
| TAP/x022/24 | 22" | N/A |
| TAP/x024/24 | 24" | N/A |

TAP IN - ROUND



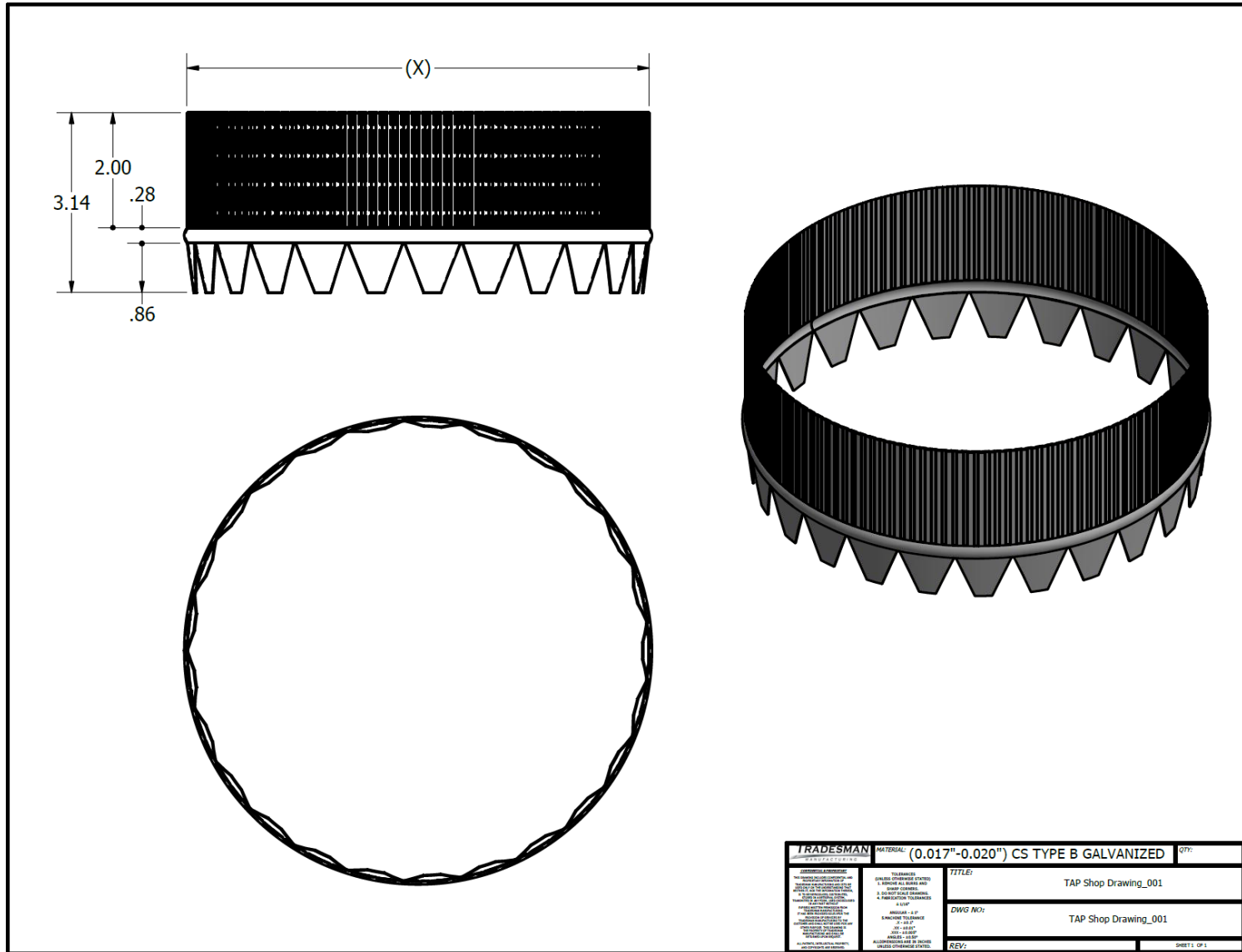
[\(403\) 327-9871](tel:4033279871)

sales@tradesmanmfg.ca

www.tradesmanmfg.ca

Specifications are subject to change without notice or obligation. All Tradesman Manufacturing products are guaranteed against defective material.

TAP IN - ROUND



(403) 327-9871

sales@tradesmanmfg.ca

www.tradesmanmfg.ca

Specifications are subject to change without notice or obligation. All Tradesman Manufacturing products are guaranteed against defective material.