

DESCRIPTION

The Tradesman saddle takeoff is used for low pressure applications and can be made to fit any size pipe.

CONSTRUCTION

Made of galvanized.

FEATURE

Made to fit Tradesman duct.

GUARANTEE

Made in Canada. All Tradesman Manufacturing products are guaranteed against defective material.

OPTIONAL CONSTRUCTION

304 Stainless Steel

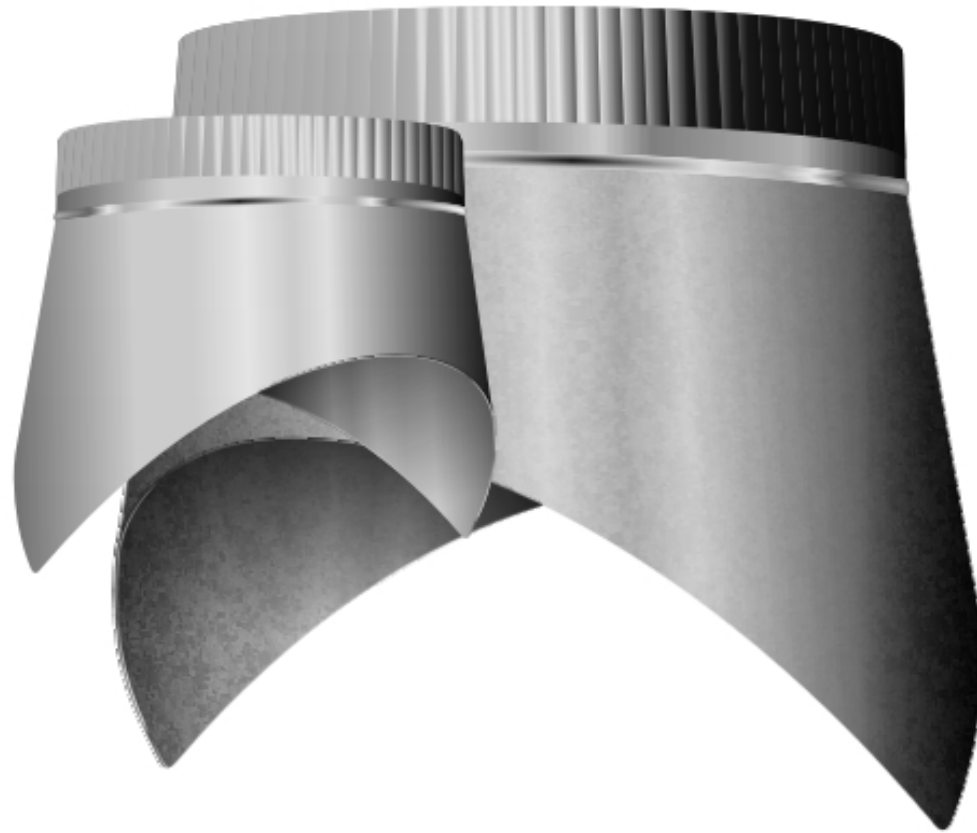
316 Stainless Steel

Aluminum

Contact Tradesman Manufacturing for availability, pricing, and lead time.

Product Code	Diameter (X)	Z (in)	Y (in)	Box Qty
SAT/0004/RE	4	1.75"	8"	50
SAT/0005/RE	5	2"	8"	40
SAT/0006/RE	6	2.25"	10"	40
SAT/0007/30	7	2.75"	10"	60
SAT/0814/28	8	4.375"	12"	30
SAT/0918/28	9	3.5"	14"	30
SAT/1016/28	10	4.75"	14"	30
SAT/1218/26	12	4.5"	16"	20
SAT/1420/26	14	5"	18"	40 (SKID)
SAT/0016/26	16	5"	20"	40 (SKID)
SAT/0018/24	18	5"	22"	40 (SKID)
SAT/0020/24	20	5"	24"	40 (SKID)
SAT/0022/24	22	6"	26"	40 (SKID)
SAT/0024/24	24	6"	28"	40 (SKID)

TAKE OFF - SADDLE



[\(403\) 327-9871](tel:4033279871)

sales@tradesmanmfg.ca

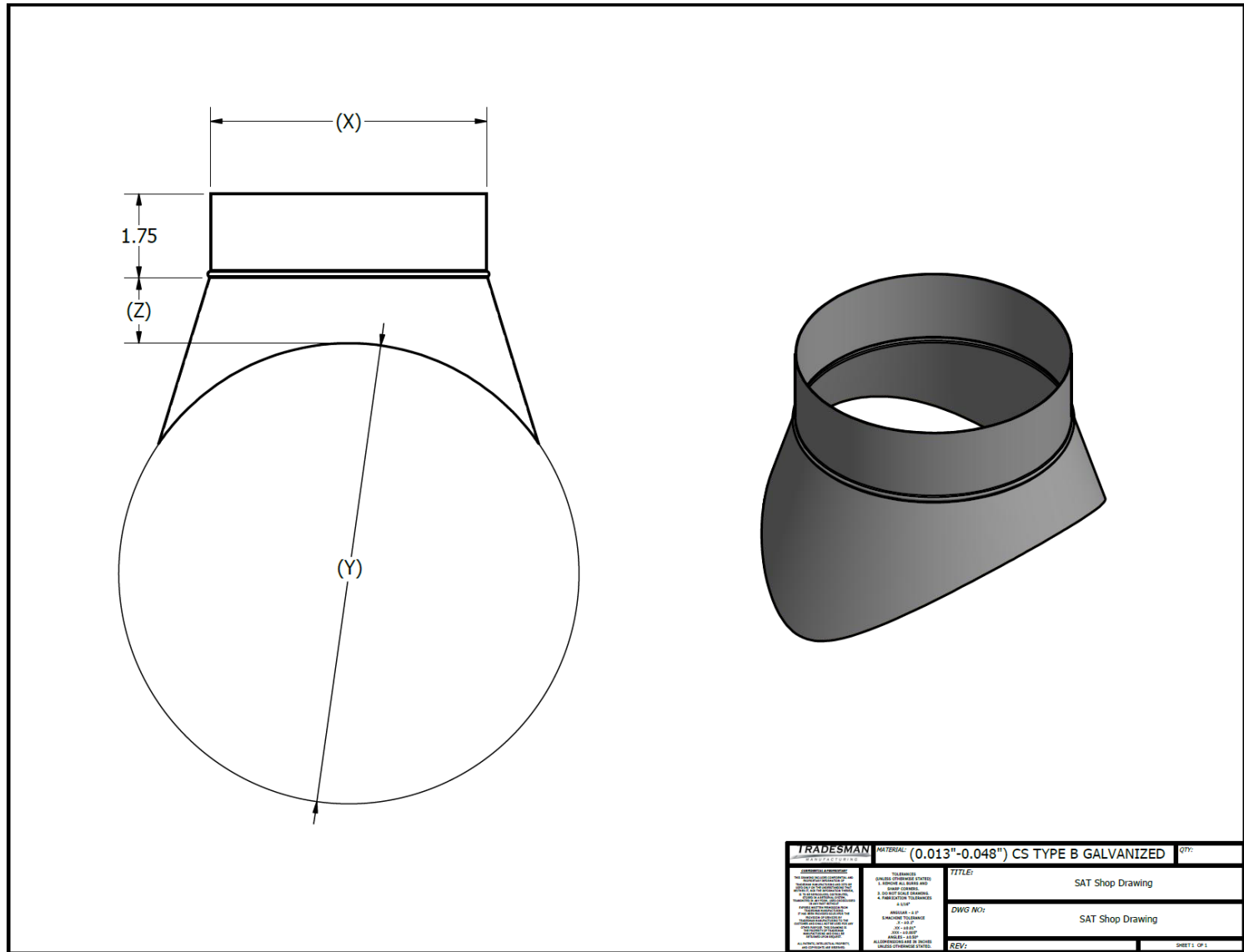
www.tradesmanmfg.ca

Specifications are subject to change without notice or obligation. All Tradesman Manufacturing products are guaranteed against defective material.

TAKE OFF - SADDLE

TRADESMAN

MANUFACTURING



[\(403\) 327-9871](tel:4033279871)

sales@tradesmanmfg.ca

www.tradesmanmfg.ca

Specifications are subject to change without notice or obligation. All Tradesman Manufacturing products are guaranteed against defective material.