

DESCRIPTION

The Tradesman spiral pipe is used for low and high pressure applications in commercial heating, air conditioning, and ventilation systems.

CONSTRUCTION

120" length.
Beaded for added strength.

GUARANTEE

All Tradesman Manufacturing products are guaranteed against defective material.

OPTIONAL CONSTRUCTION

14GA - 28GA galvanized.

4" - 100"+

G90 galvanized

Custom lengths

Aluminum

Satin coat

304 Stainless Steel

316 Stainless Steel

Smooth wall: no reinforcement bead

Double wall with insulation

Contact Tradesman Manufacturing for availability, pricing, and lead time.

Product Code	X (in)	Y (in)
SPI/0004/xx	4"	120"
SPI/0005/xx	5"	120"
SPI/0006/xx	6"	120"
SPI/0007/xx	7"	120"
SPI/0008/xx	8"	120"
SPI/0009/xx	9"	120"
SPI/0010/xx	10"	120"
SPI/0011/xx	11"	120"
SPI/0012/xx	12"	120"
SPI/0013/xx	13"	120"
SPI/0014/xx	14"	120"
SPI/0015/xx	15"	120"
SPI/0016/xx	16"	120"
SPI/0017/xx	17"	120"
SPI/0018/xx	18"	120"
SPI/0020/xx	22"	120"
SPI/0022/xx	22"	120"
SPI/0024/xx	24"	120"

SPIRAL PIPE



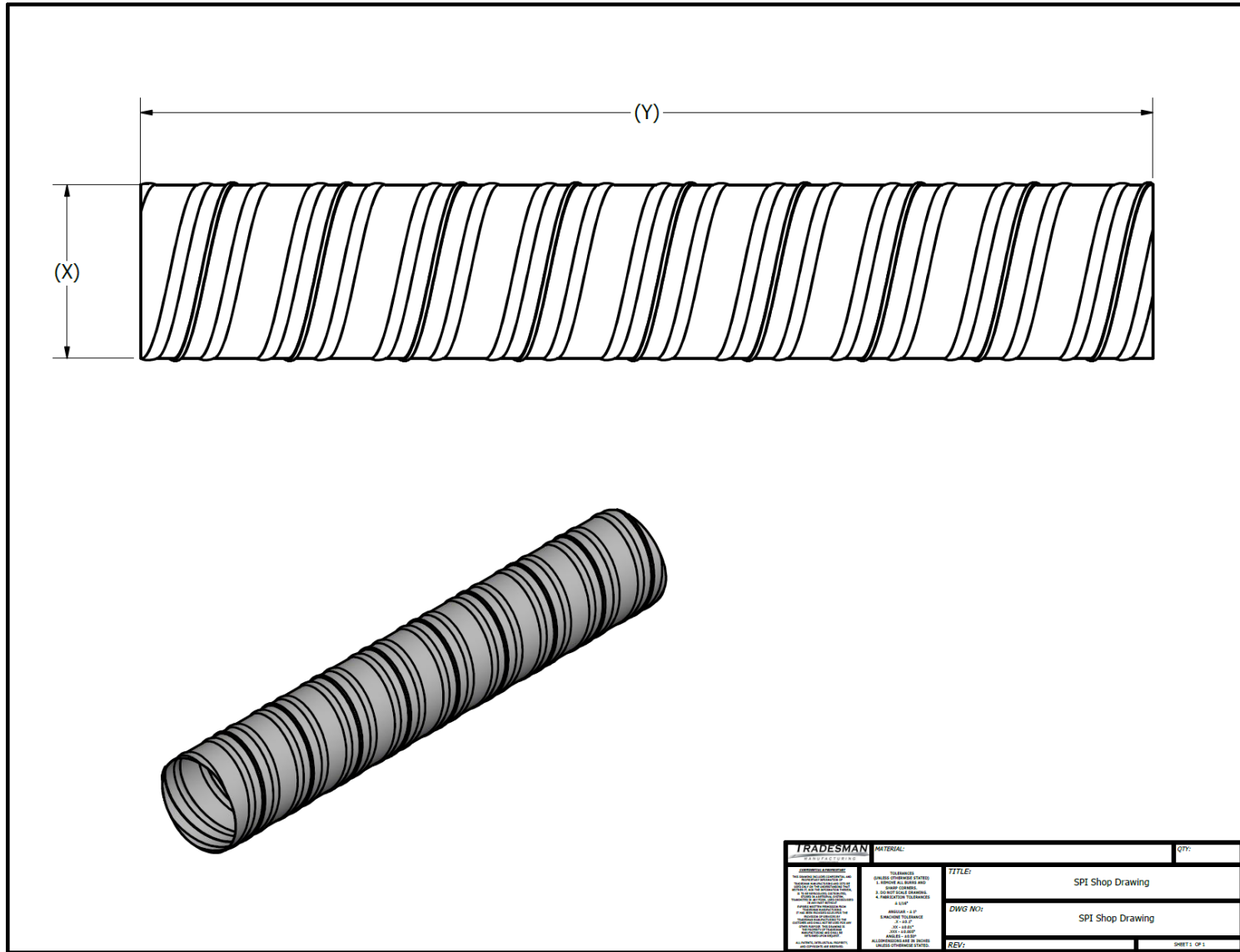
[\(403\) 327-9871](tel:4033279871)

sales@tradesmanmfg.ca

www.tradesmanmfg.ca

Specifications are subject to change without notice or obligation. All Tradesman Manufacturing products are guaranteed against defective material.

SPIRAL PIPE



[\(403\) 327-9871](tel:4033279871)

sales@tradesmanmfg.ca

www.tradesmanmfg.ca

Specifications are subject to change without notice or obligation. All Tradesman Manufacturing products are guaranteed against defective material.