

DESCRIPTION

The Tradesman slab plastic chair is used for supporting the lengths of slab during installation.

CONSTRUCTION

Made from plastic.

FEATURES

Pre-drilled holes for easy installation.
Able to mount slab duct at different heights.

GUARANTEE

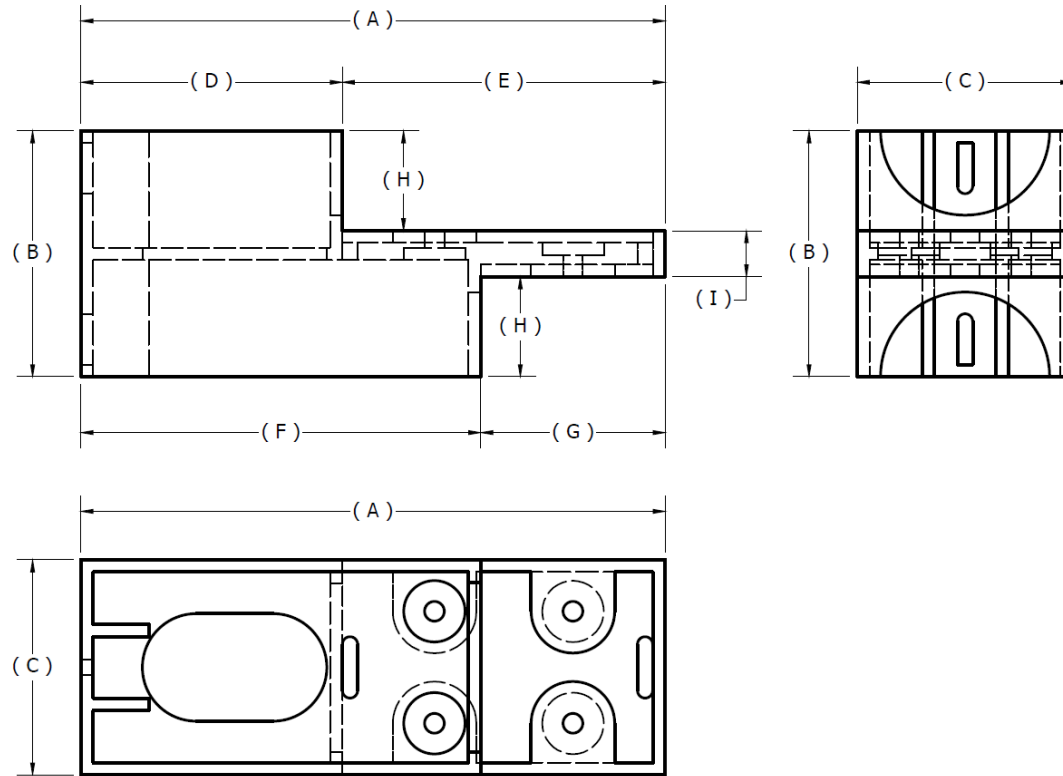
All Tradesman Manufacturing products are guaranteed against defective material.

Contact Tradesman Manufacturing for availability, pricing, and lead time.

Product Code	A (in)	B (in)	C (in)	D (in)
PLC/0000	4.75"	2"	1.75"	2.125"
E (in)	F (in)	G (in)	H (in)	I (in)
2.625"	3.25"	1.5"	0.8125"	0.375"



SLAB - FITTINGS - PLASTIC CHAIR SUPPORT BRACKET



TRADESMAN <small>MANUFACTURING</small> 4437 8 Ave N Lethbridge, AB T1H 6W5 Ph. (403) 327-9871 Fx. (403) 329-9079	<small>PROPRIETARY AND CONFIDENTIAL</small> THE INFORMATION CONTAINED IN THIS IS THE SOLE PROPERTY OF TRADESMAN MANUFACTURING. ANY REPRODUCTION IN PART OR AS A WHOLE WITHOUT WRITTEN PERMISSION OF TRADESMAN MANUFACTURING IS PROHIBITED. <small>UNLESS OTHERWISE SPECIFIED:</small> ALL DIMENSIONS AND TOLERANCES ARE IN MILLIMETERS UNLESS DIMENSIONS ARE IN INCHES TOLERANCES: FRACTIONAL: .125 .250 .375 .500 DECIMAL: .005 .010 .015 .020 .030 ANGULAR: BEND "Y"	TITLE: SLC-0000	QUANTITY: ###
	DRAWING NO. PLC-0000_SHOP DRAWING	DATE: 06/01/16	SCALE: ###
	MATERIAL: ###	COIL WIDTH: ###	SHEET: ###
	FILE LOCATION: ###	REVISION: ###	

[\(403\) 327-9871](tel:(403)327-9871)

sales@tradesmanmfg.ca

www.tradesmanmfg.ca

Specifications are subject to change without notice or obligation. All Tradesman Manufacturing products are guaranteed against defective material.