

SIDE TAKE OFF

TRADESMAN

MANUFACTURING



DESCRIPTION

Tradesman's Side Take Off is designed for low and medium pressure applications to attach round pipe to square duct or plenums.

CONSTRUCTION

Made of galvanized complete with either dove tail or gasket for the most efficient way to join round pipe to square duct.

FEATURES

Made in Canada
100% laser cut for accuracy
Beaded and Spotwelded collar for low leakage
Made to fit Tradesman pipe and fittings

Nominal Size	A"	B"	C"	Product Code
4	4	3.5	6	STO/0004/Gauge Req
5	5	3.5	7	STO/0005/Gauge Req
6	6	3	7	STO/0006/Gauge Req
7	7	5.25	10	STO/0007/Gauge Req
8	8	6.875	11	STO/0008/Gauge Req
9	9	6.9375	12	STO/0009/Gauge Req
10	10	8.125	13	STO/0010/Gauge Req
12	12	7	15	STO/0012/Gauge Req
14	14	10	18	STO/0014/Gauge Req
16	16	11	20	STO/0016/Gauge Req
18	18	12	22	STO/0018/Gauge Req
20	20	12	24	STO/0020/Gauge Req
22	22	12	26	STO/0022/Gauge Req
24	24	14	28	STO/0024/Gauge Req

OPTIONAL CONSTRUCTION

30GA Residential to 16GA Industrial
304 Stainless Steel
316 Stainless Steel
Aluminum
Gasket on Square End
Balancing Damper Installed

Contact Tradesman Manufacturing for availability, pricing, and lead time.

[\(403\) 327-9871](tel:4033279871)

sales@tradesmanmfg.ca

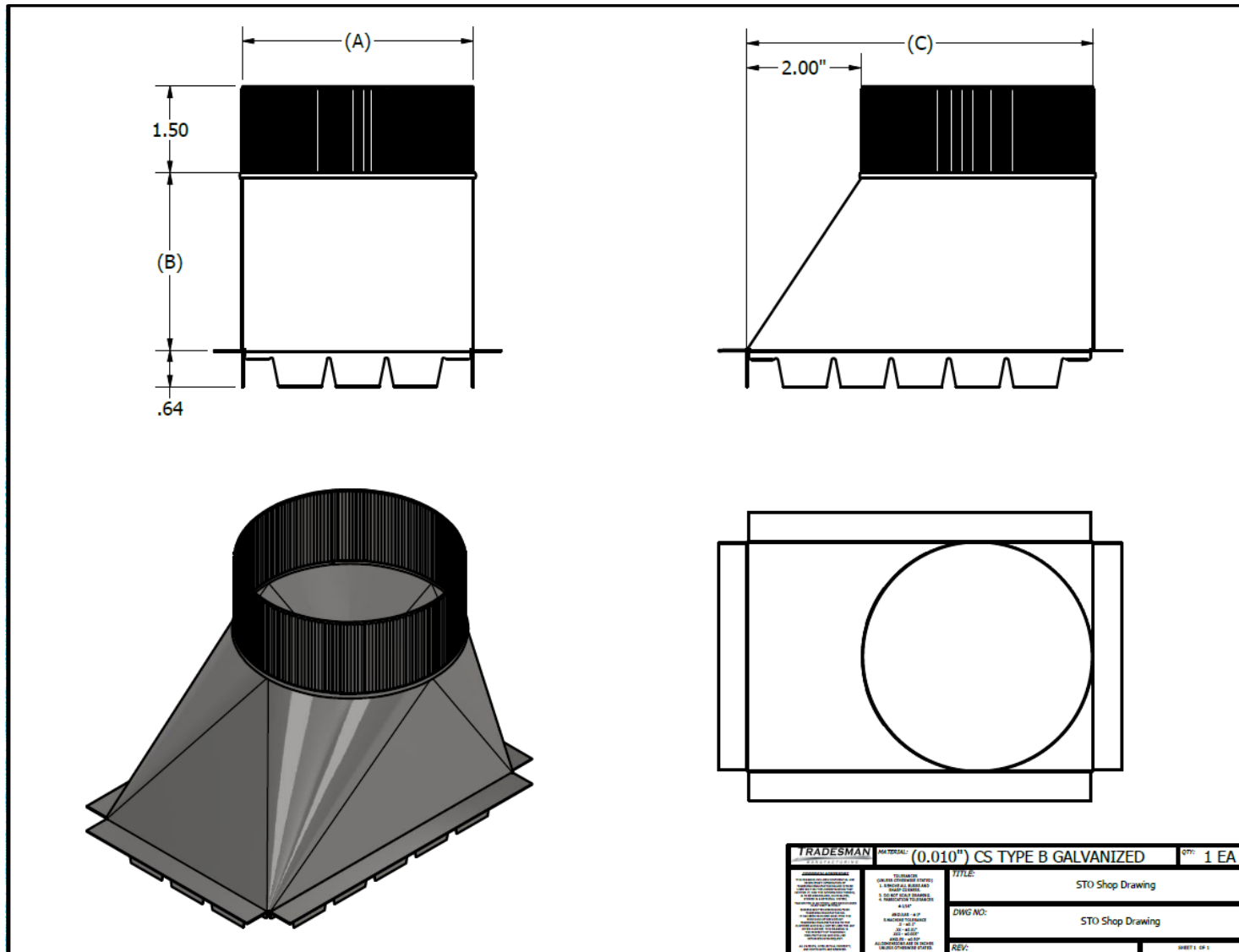
www.tradesmanmfg.ca

Specifications are subject to change without notice or obligation. All Tradesman Manufacturing products are guaranteed against defective material.

SIDE TAKE OFF

TRADESMAN

MANUFACTURING



(403) 327-9871

sales@tradesmanmfg.ca

www.tradesmanmfg.ca

Specifications are subject to change without notice or obligation. All Tradesman Manufacturing products are guaranteed against defective material.