



DESCRIPTION

Tradesman's Residential Damper is made for regulating air flow to a specific CFM.

FEATURES

Made in Canada
Laser cut for accuracy

CONSTRUCTION

Made of galvanized steel

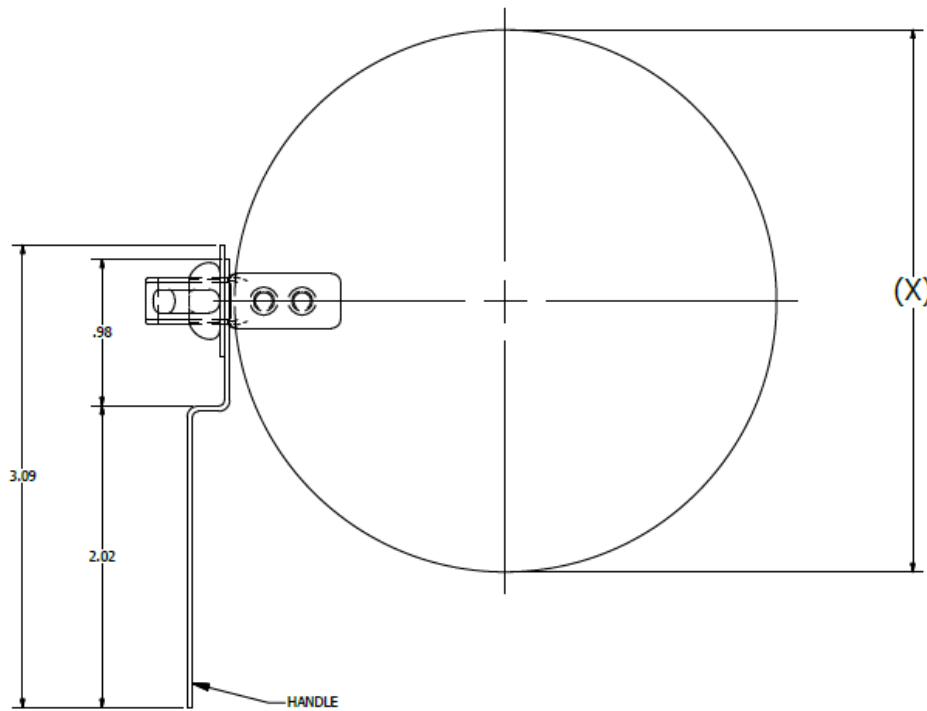
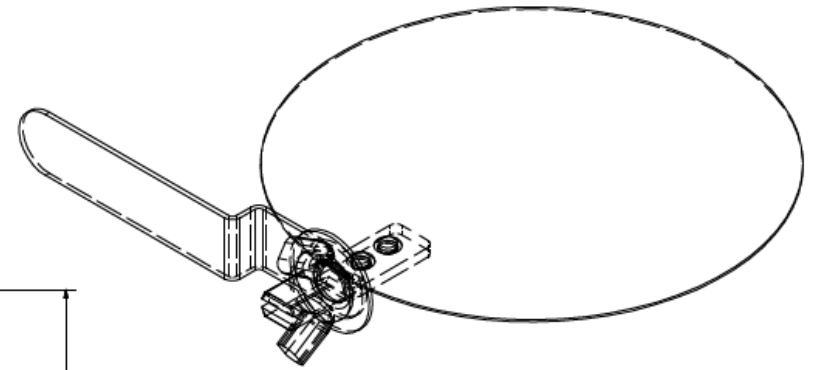
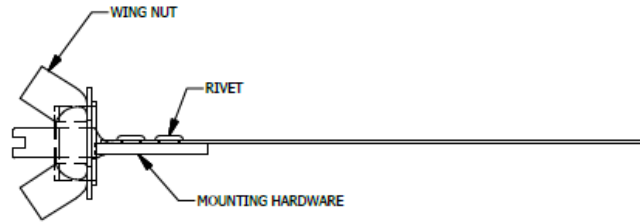
Contact Tradesman Manufacturing for availability, pricing, and lead time.

SKU	X"	Box Qty
RPD/H004/26	3.625"	100
RPD/H005/26	4.625"	100
RPD/H006/26	5.625"	75
RPD/H007/26	6.625"	50

RESIDENTIAL DAMPER

TRADESMAN

MANUFACTURING



[\(403\) 327-9871](tel:4033279871)

sales@tradesmanmfg.ca

www.tradesmanmfg.ca

Specifications are subject to change without notice or obligation. All Tradesman Manufacturing products are guaranteed against defective material.