

TRADESMAN

MANUFACTURING

DESCRIPTION

The Tradesman wall thimble is used to provide a sleeve for exhaust pipe from inside a building to outside while keeping 1" clearance from vent pipe.

CONSTRUCTION

Made of 24GA galvanized.

FEATURES

Precut screw holes.

GUARANTEE

Made in Canada. All Tradesman Manufacturing products are guaranteed against defective material.

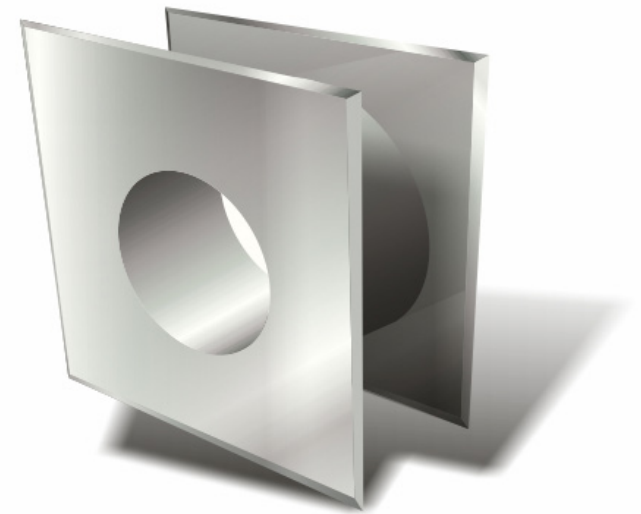
OPTIONAL CONSTRUCTION

Custom sizes available upon request to suit any and all applications.

Optional stainless, aluminum, or satin coat.

Contact Tradesman Manufacturing for availability, pricing, and lead time.

Product Code	Body Diameter (Y)	Box Qty
WTH/0003/26	3	Made to Order
WTH/0004/26	4	14
WTH/0005/26	5	12
WTH/0006/26	6	Made to Order

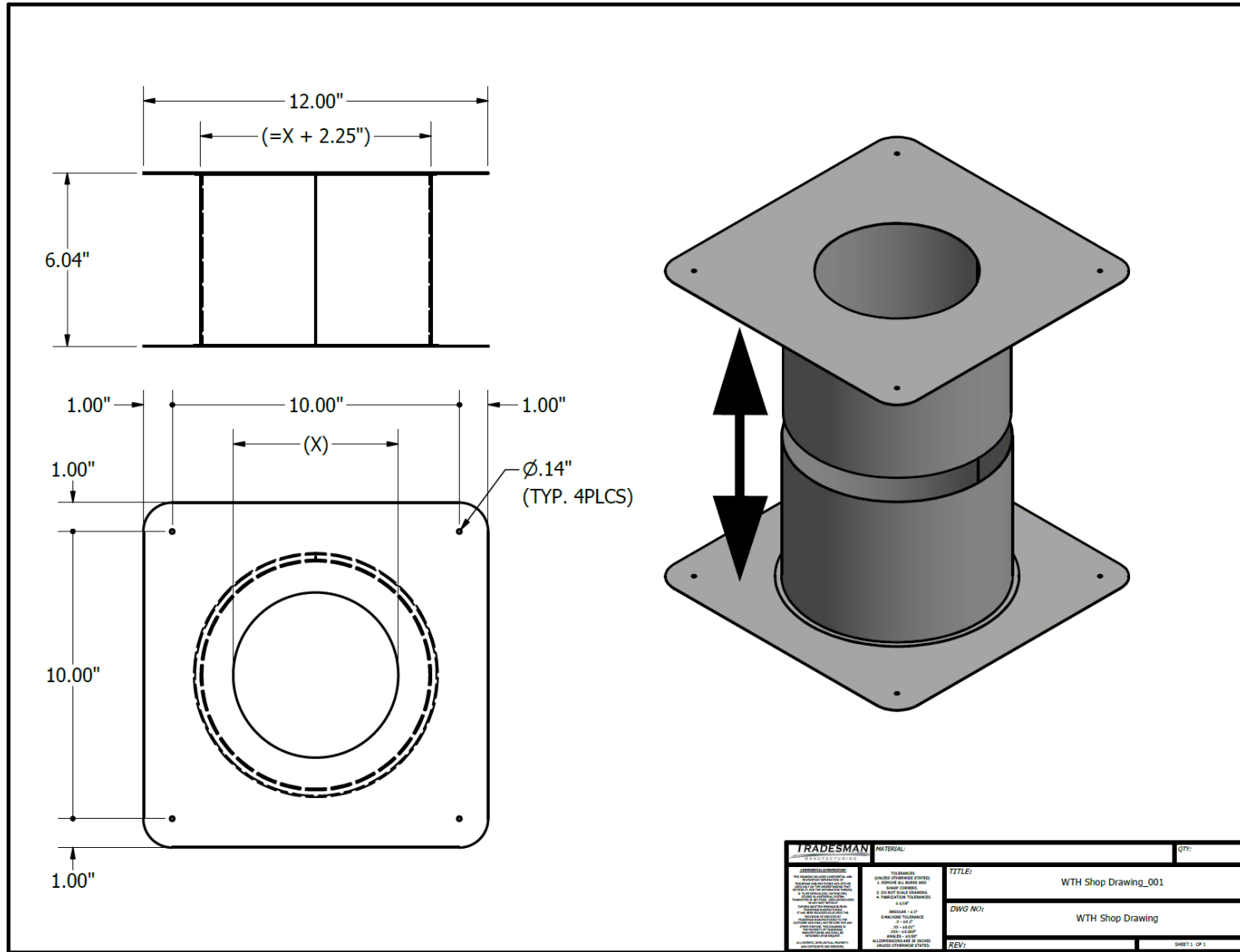


[\(403\) 327-9871](tel:4033279871)

sales@tradesmanmfg.ca

www.tradesmanmfg.ca

Specifications are subject to change without notice or obligation. All Tradesman Manufacturing products are guaranteed against defective material.



(403) 327-9871

sales@tradesmanmfg.ca

www.tradesmanmfg.ca

Specifications are subject to change without notice or obligation. All Tradesman Manufacturing products are guaranteed against defective material.