

DESCRIPTION

The Tradesman return air elbow is designed to fit on Tradesman's filter rack and return air duct.

CONSTRUCTION

Made of 26GA galvanized.

FEATURES

Made to fit Tradesman duct.
Smooth seam for optimal airflow.

GUARANTEE

Made in Canada. All Tradesman Manufacturing products are guaranteed against defective material.

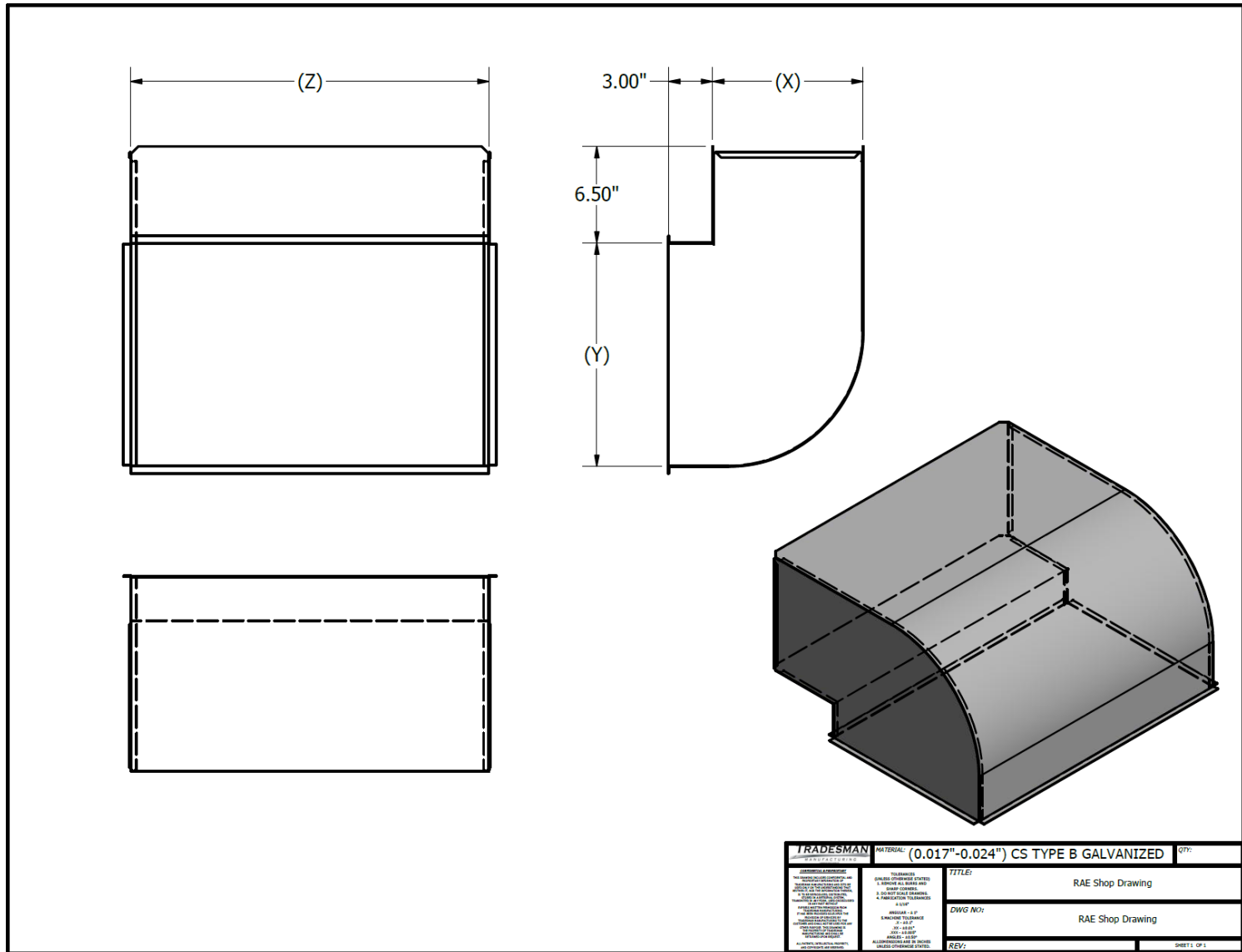
OPTIONAL CONSTRUCTION

Custom sizes available upon request to suit any and all applications.

Contact Tradesman Manufacturing for availability, pricing, and lead time.

Product Code	X (in)	Y (in)	Z (in)	Box Qty
RAE/1423/26	8"	14.875"	24"	4
RAE/1423/10	10"	14.875"	24"	4
RAE/1920/26	10"	19"	20"	5
RAE/1922/26	8"	19"	22"	5
RAE/2024/26	8"	18.5"	24"	4
RAE/2324/26	10"	18.875"	24"	4





(403) 327-9871

sales@tradesmanmfg.ca

www.tradesmanmfg.ca

Specifications are subject to change without notice or obligation. All Tradesman Manufacturing products are guaranteed against defective material.