

DESCRIPTION

The Tradesman on-center reducer/increaser is made to change pipe size when space is limited and is a low profile reducer.

CONSTRUCTION

One-piece spun construction or two-piece sealed seam.

FEATURES

One-piece construction for zero leakage.
100% laser cut for accuracy.
Made to fit Tradesman pipe and fittings.

GUARANTEE

Made in Canada. All Tradesman Manufacturing products are guaranteed against defective material.

OPTIONAL CONSTRUCTION

304 Stainless Steel
316 Stainless Steel
Aluminum

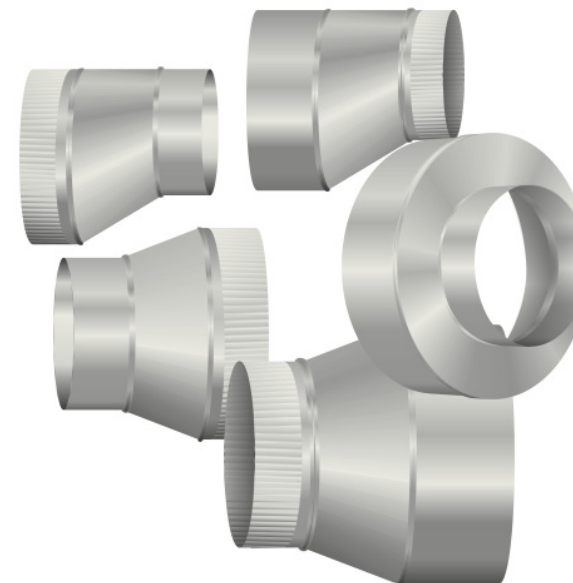
Contact Tradesman Manufacturing for availability, pricing, and lead time.

Product Code	X (in) Big End	Y (in) Small End	Box Qty
REC/0403/26	4"	3"	60
REC/0504/26	5"	4"	50
REC/0603/26	6"	3"	10
REC/0604/26	6"	4"	25
REC/0605/26	6"	5"	20
REC/0705/26	7"	5"	18
REC/0706/26	7"	6"	21
REC/0804/26	8"	4"	14
REC/0805/26	8"	5"	18
REC/0806/26	8"	6"	18
REC/0807/26	8"	7"	18
REC/0907/26	9"	7"	14
REC/0908/26	9"	8"	12
REC/1006/26	10"	6"	14
REC/1008/26	10"	8"	14

REDUCER/INCREASER - CENTER



Product Code	X (in) Big End	Y (in) Small End	Box Qty
INC/0304/26	3	4	30
INC/0306/26	3	6	28
INC/0405/26	4	5	20
INC/0406/26	4	6	24
INC/0506/26	5	6	28
INC/0507/26	5	7	18
INC/0708/26	7	8	10

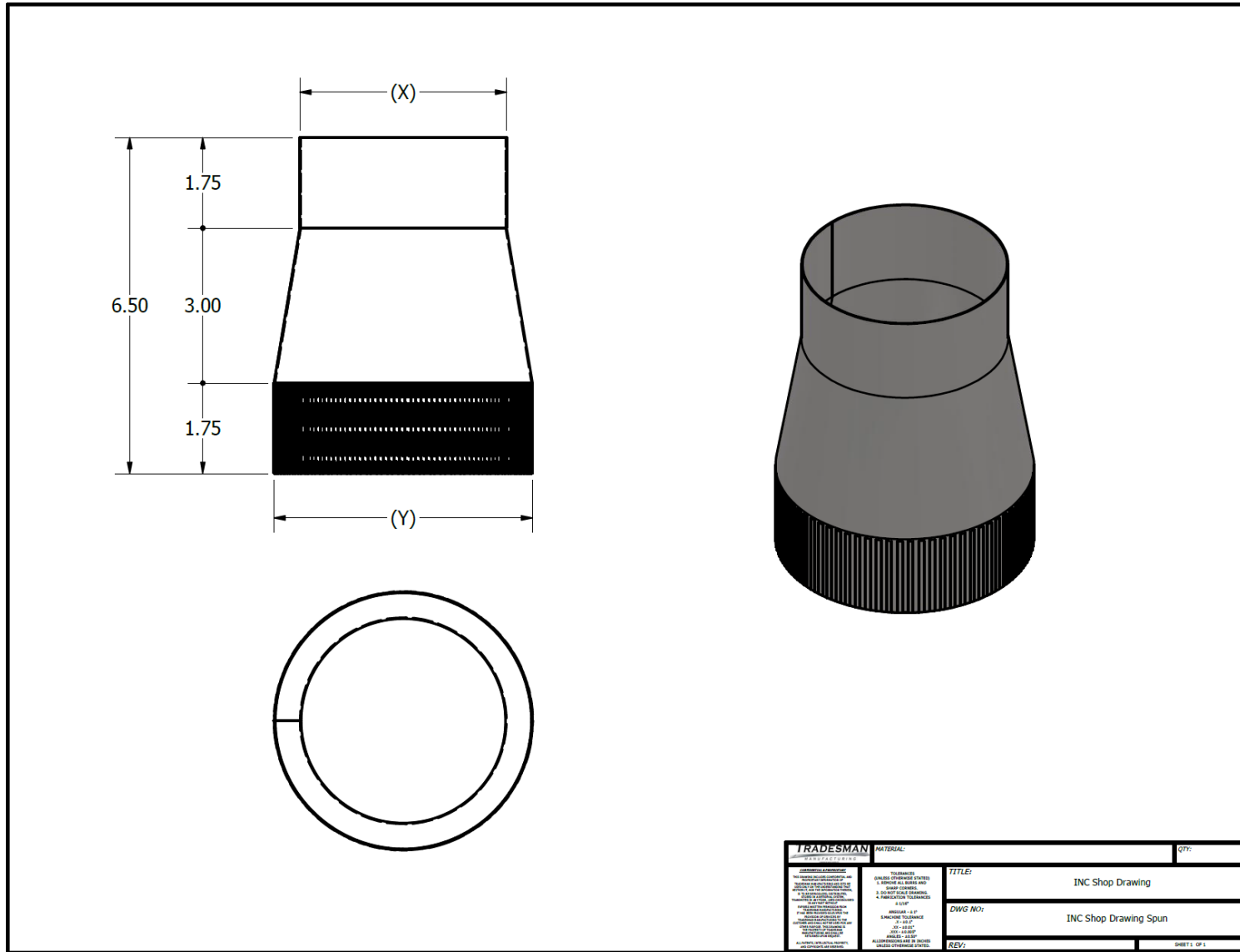


[\(403\) 327-9871](tel:4033279871)

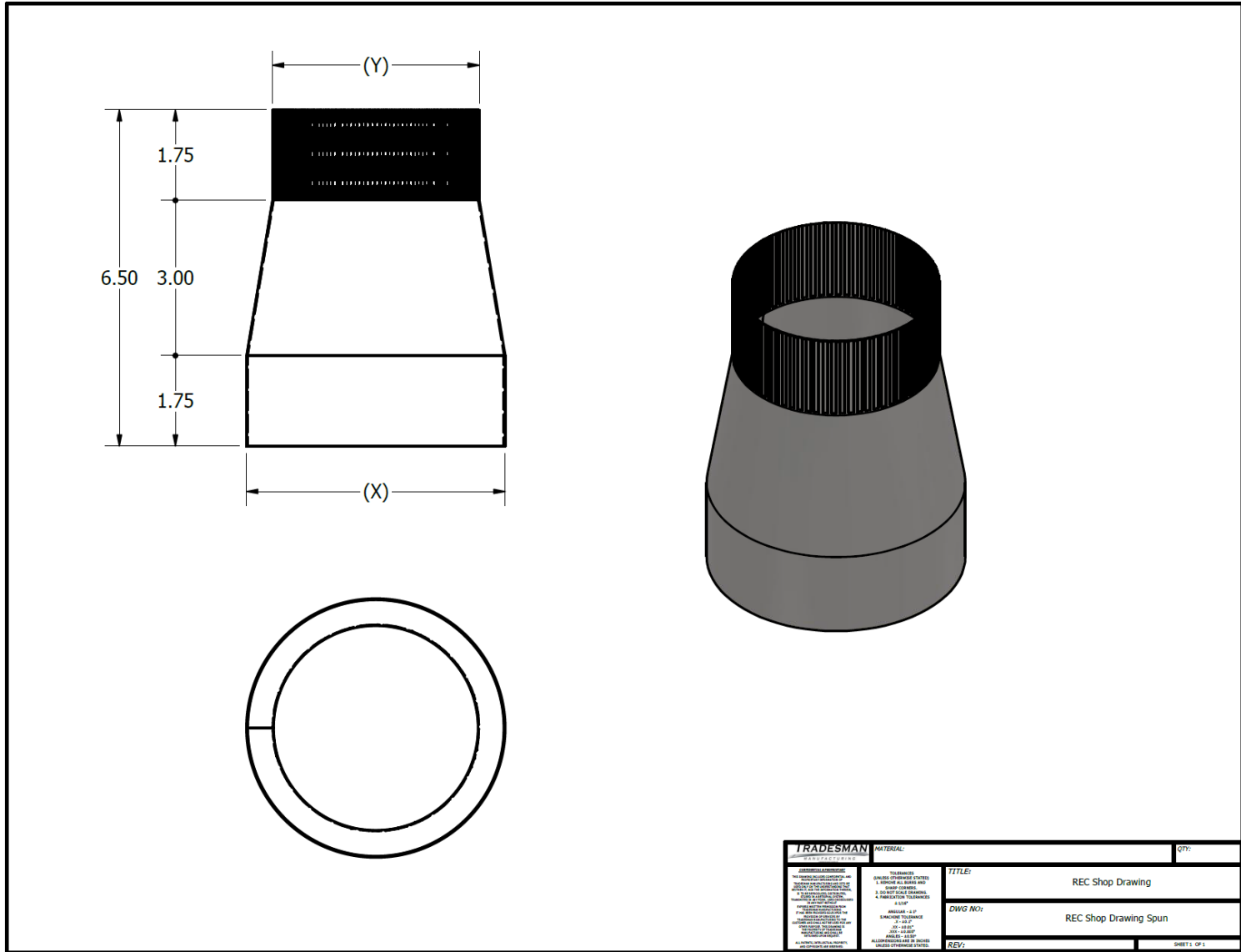
sales@tradesmanmfg.ca

www.tradesmanmfg.ca

Specifications are subject to change without notice or obligation. All Tradesman Manufacturing products are guaranteed against defective material.



Increaser On Centre



Reducer On Centre