

**DESCRIPTION**

The Tradesman spun plug is designed to fit inside or outside the end of pipe to stop airflow.

**CONSTRUCTION**

One-piece construction  
Big end and small end all in one fitting.

**FEATURES**

100% laser cut for accuracy.  
Made to fit Tradesman pipe.  
Manufactured big end or small end.

**GUARANTEE**

Made in Canada. All Tradesman Manufacturing products are guaranteed against defective material.

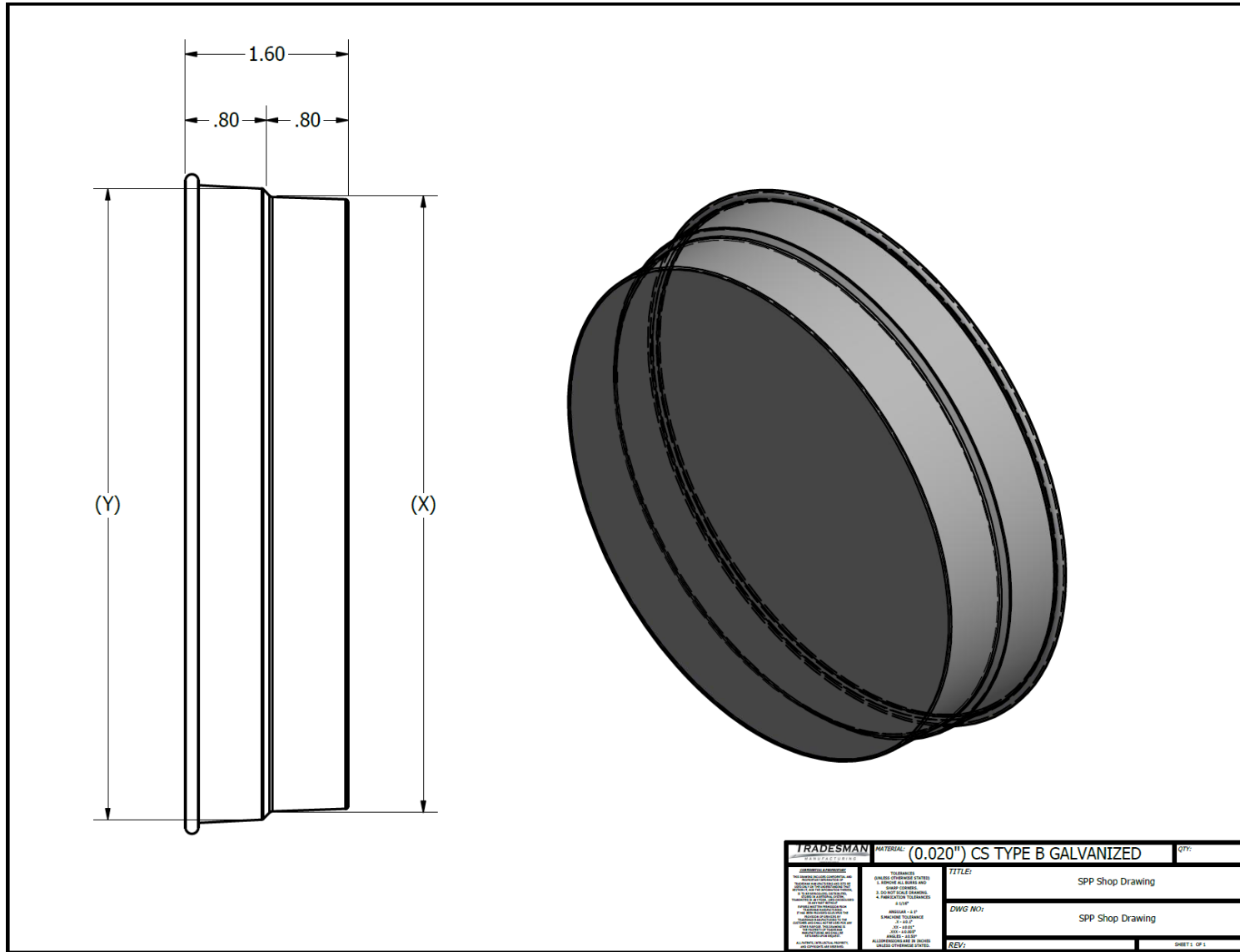
**OPTIONAL CONSTRUCTION**

304 Stainless Steel  
316 Stainless Steel  
Satin Coat  
Aluminum

Contact Tradesman Manufacturing for availability, pricing, and lead time.

Product Code	X (in)	Y (in)	Box Qty
SPP/0004	4" SE	4" BE	20
SPP/0005	5" SE	5" BE	20
SPP/0006	6" SE	6" BE	20
SPP/0007	7" SE	7" BE	20
SPP/0008	8" SE	8" BE	20
SPP/0009	9" SE	9" SB	20
SPP/0010	10" SE	10" BE	20
SPP/0012	12" SE	12" BE	15
SPP/0014	14" SE	14" BE	15
SPP/0016	16" SE	16" BE	15

# PLUG - SPUN



(403) 327-9871

[sales@tradesmanmfg.ca](mailto:sales@tradesmanmfg.ca)

[www.tradesmanmfg.ca](http://www.tradesmanmfg.ca)

Specifications are subject to change without notice or obligation. All Tradesman Manufacturing products are guaranteed against defective material.