

DESCRIPTION

The Tradesman plenum take off is used as a starting piece that comes off the plenum to join the main duct line.

CONSTRUCTION

Made of galvanized.

FEATURES

100% laser cut for accuracy.
Made to fit Tradesman duct.

GUARANTEE

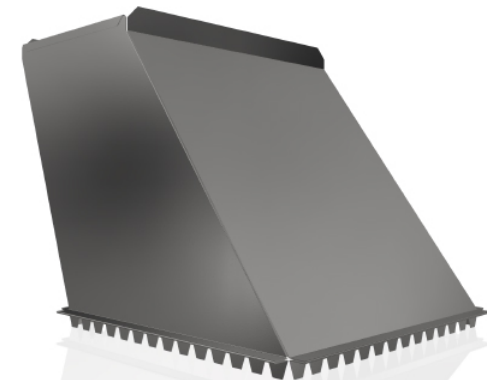
Made in Canada. All Tradesman Manufacturing products are guaranteed against defective material.

OPTIONAL CONSTRUCTION

304 Stainless Steel
316 Stainless Steel
Aluminum

Contact Tradesman Manufacturing for availability, pricing, and lead time.

| Product Code | A (in) | B (in) | X (in) | Y (in) | Box Qty. |
|--------------|--------|--------|--------|--------|----------|
| PTF/0808/28 | 8" | 8" | 8" | 12" | 5 |
| PTF/1008/28 | 10" | 10" | 8" | 12" | 5 |
| PTF/1010/28 | 10" | 10" | 10" | 14" | 5 |
| PTF/1208/28 | 12" | 12" | 8" | 12" | 5 |
| PTF/1210/28 | 12" | 12" | 10" | 14" | 5 |
| PTF/1408/28 | 14" | 14" | 8" | 12" | 5 |
| PTF/1410/28 | 14" | 14" | 10" | 14" | 5 |
| PTF/1608/28 | 16" | 16" | 8" | 12" | 5 |
| PTF/1610/28 | 16" | 16" | 10" | 14" | 5 |
| PTF/1808/28 | 18" | 18" | 8" | 12" | 5 |



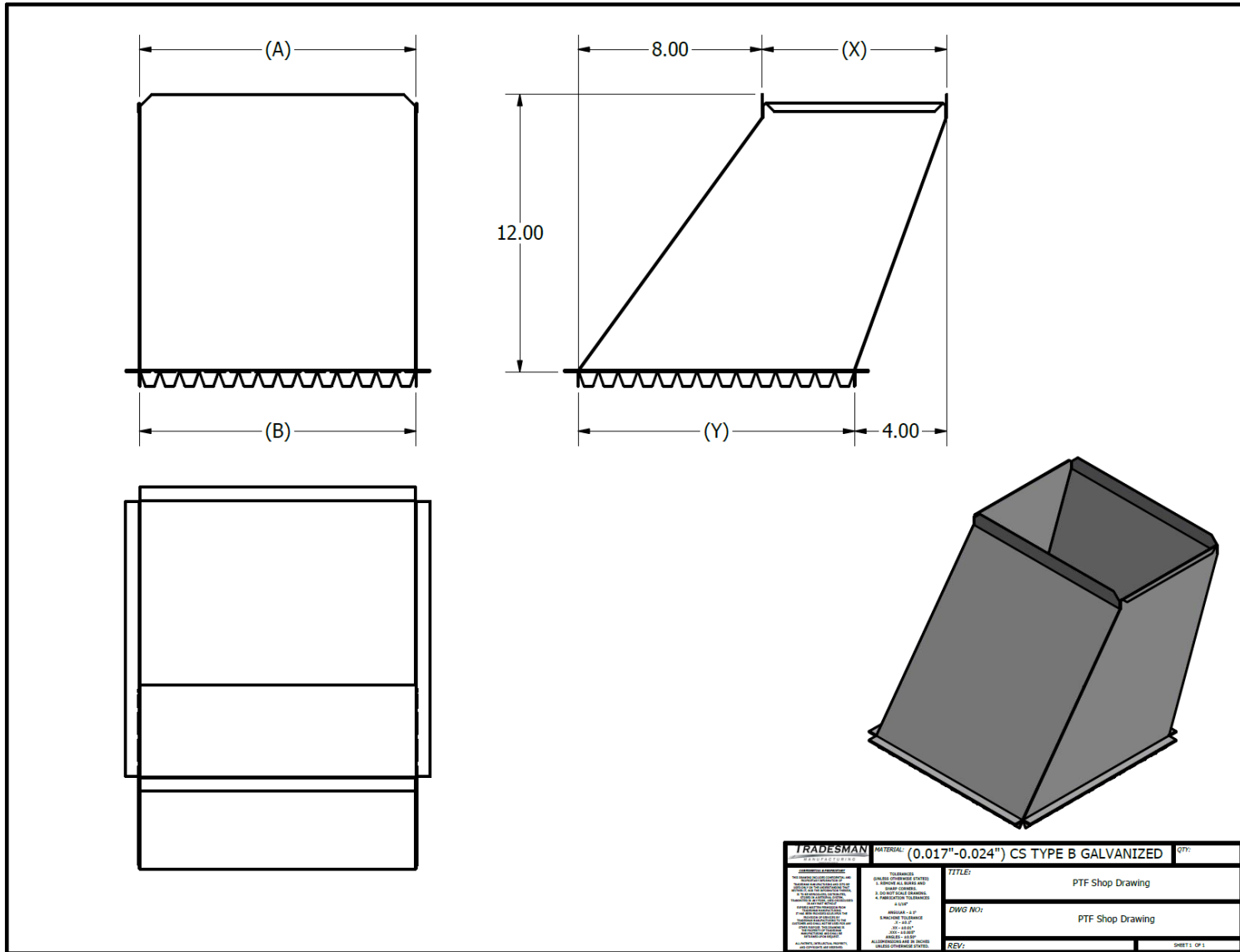
[\(403\) 327-9871](tel:4033279871)

sales@tradesmanmfg.ca

www.tradesmanmfg.ca

Specifications are subject to change without notice or obligation. All Tradesman Manufacturing products are guaranteed against defective material.

PLENUM - TAKE OFF



| | | |
|--|---|---------------------------------|
| TRADESMAN MANUFACTURING <small>TRADESMAN MANUFACTURING, INC. 1000 W. 10TH AVE. SUITE 1000 DENVER, CO 80202 TEL: 303.733.8888 FAX: 303.733.8889 WWW.TRADESMANMFG.COM</small> | MATERIAL: (0.017"-0.024") CS TYPE B GALVANIZED | QTY: |
| | TOLERANCES: DIMENSIONS UNLESS SPECIFIED ARE TO BE HUNDREDS OF INCHES UNLESS OTHERWISE SPECIFIED FINISHES UNLESS SPECIFIED ARE TO BE AS SHOWN UNLESS OTHERWISE SPECIFIED ALL DIMENSIONS ARE TO BE UNLESS OTHERWISE SPECIFIED | TITLE: PTF Shop Drawing |
| | DWG NO: | DWG NO: PTF Shop Drawing |
| | REV: | REV: |

[\(403\) 327-9871](tel:4033279871)

sales@tradesmanmfg.ca

www.tradesmanmfg.ca

Specifications are subject to change without notice or obligation. All Tradesman Manufacturing products are guaranteed against defective material.

DESCRIPTION

The Tradesman plenum take off is used as a starting piece that comes off the plenum to join the main duct line.

CONSTRUCTION

Made of galvanized.

FEATURES

100% laser cut for accuracy.
 Made to fit Tradesman duct.
 Transition style to fit smaller plenums.

GUARANTEE

Made in Canada. All Tradesman Manufacturing products are guaranteed against defective material.

OPTIONAL CONSTRUCTION

304 Stainless Steel
 316 Stainless Steel
 Aluminum

| Product Code | A (in) | B (in) | X (in) | Y (in) | Box Qty. |
|--------------|--------|--------|--------|--------|----------|
| PFI/1408/28 | 8" | 14" | 14" | 12" | 5 |
| PFI/1410/28 | 10" | 18" | 14" | 12" | 5 |
| PFI/1608/28 | 8" | 16" | 16" | 14" | 5 |
| PFI/1610/28 | 10" | 18" | 16" | 14" | 5 |
| PFI/1628/28 | 8" | 16" | 16" | 12" | 5 |
| PFI/1801/26 | 8" | 18" | 18" | 12" | 5 |
| PFI/1808/28 | 8" | 15" | 18" | 16" | 5 |
| PFI/2001/26 | 8" | 18" | 20" | 14" | 5 |
| PFI/2008/26 | 8" | 18" | 20" | 12" | 5 |
| PFI/2201/26 | 8" | 18" | 22" | 14" | 5 |
| PFI/2208/26 | 8" | 15" | 22" | 16" | 5 |
| PFI/2408/26 | 8" | 18" | 24" | 16" | 5 |
| PFI/2410/26 | 10" | 20" | 24" | 16" | 5 |
| PTI/1408/28 | 14" | 12" | 8" | 14" | 5 |
| PTI/1410/28 | 14" | 12" | 10" | 18" | 5 |
| PTI/1608/28 | 16" | 14" | 8" | 16" | 5 |

TRADESMAN

MANUFACTURING

PLENUM - TRANSITION

| Product Code | A (in) | B (in) | X (in) | Y (in) | Box Qty. |
|--------------|--------|--------|--------|--------|----------|
| PTI/1610/28 | 16" | 14" | 10" | 18" | 5 |
| PTI/1808/28 | 18" | 16" | 8" | 15" | 5 |
| PTI/2008/26 | 20" | 16" | 8" | 15" | 5 |
| PTI/2208/26 | 22" | 16" | 8" | 15" | 5 |
| PTI/2400/26 | 24" | 16" | 8" | 18" | 5 |
| PTI/2408/26 | 24" | 20" | 8" | 15" | 5 |

[\(403\) 327-9871](tel:4033279871)

sales@tradesmanmfg.ca

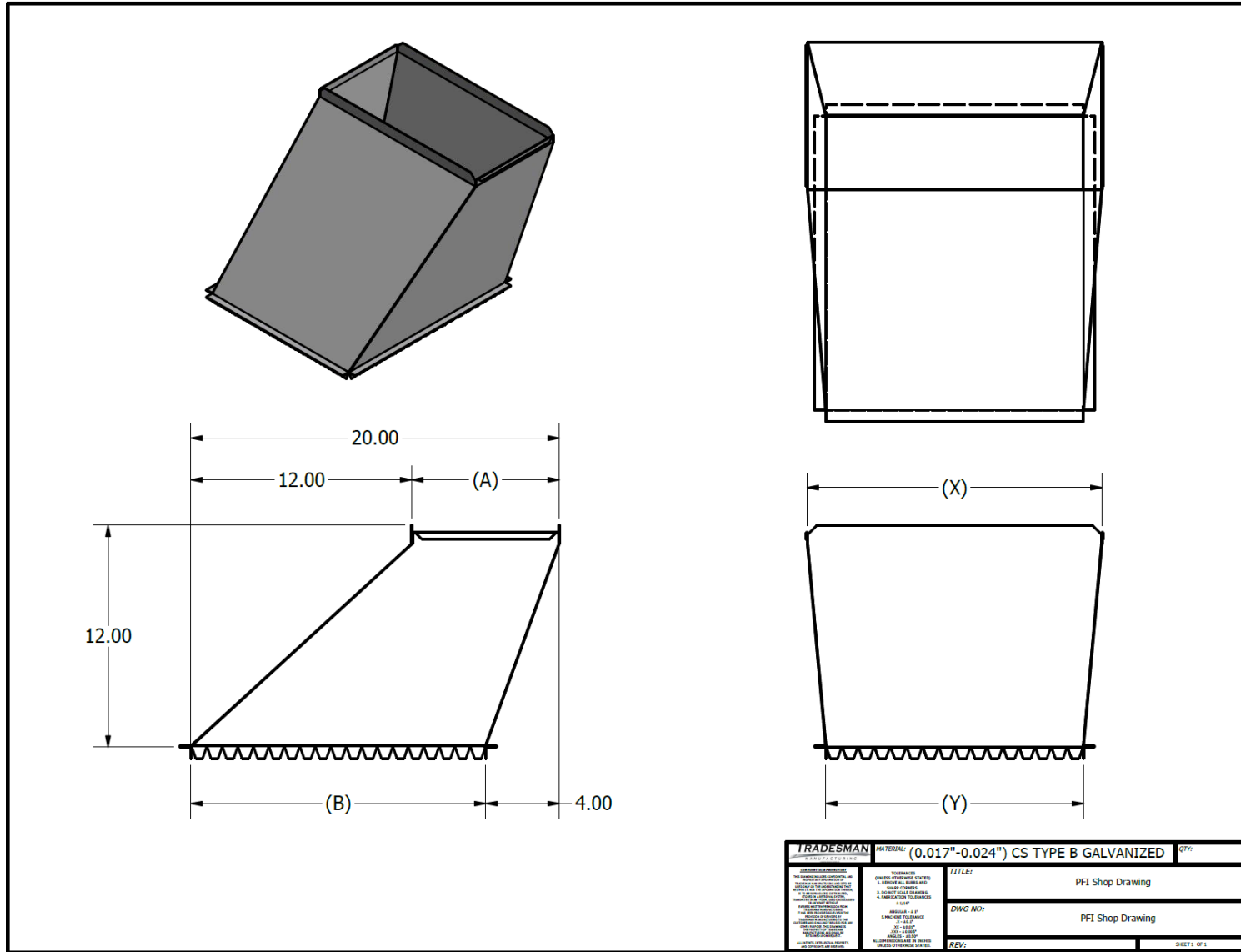
www.tradesmanmfg.ca

Specifications are subject to change without notice or obligation. All Tradesman Manufacturing products are guaranteed against defective material.

TRADESMAN

MANUFACTURING

PLENUM - TRANSITION



(403) 327-9871

sales@tradesmanmfg.ca

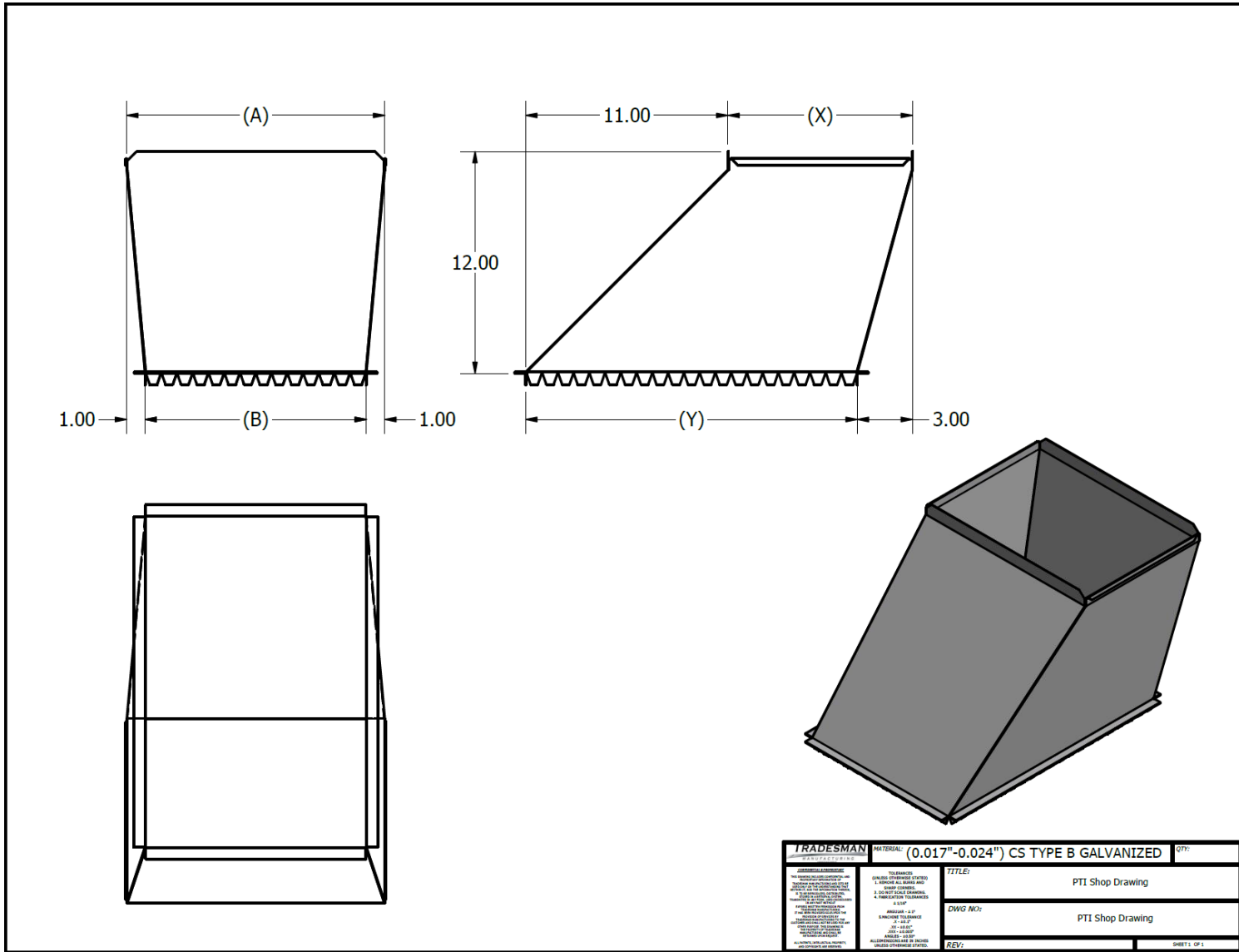
www.tradesmanmfg.ca

Specifications are subject to change without notice or obligation. All Tradesman Manufacturing products are guaranteed against defective material.

TRADESMAN

MANUFACTURING

PLENUM - TRANSITION



(403) 327-9871

sales@tradesmanmfg.ca

www.tradesmanmfg.ca

Specifications are subject to change without notice or obligation. All Tradesman Manufacturing products are guaranteed against defective material.