

DESCRIPTION

The Tradesman wall cap with damper provides an outlet to vent dryer or bathroom exhaust air to the outside.

CONSTRUCTION

Made of galv or choice of four pre-painted colours.

FEATURES

Made with 1" straight section at the top for easy exterior finishing. Damper includes a magnet to keep closed on windy days while still allowing it to open when the fan turns on.

GUARANTEE

All Tradesman Manufacturing products are guaranteed against defective material.

OPTIONAL CONSTRUCTION

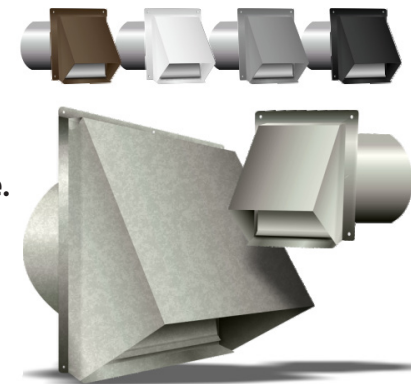
304 Stainless Steel
316 Stainless Steel
Aluminum

Contact Tradesman Manufacturing for availability, pricing, and lead time.

** Replace "xx" with "GV" for Galv
"WH" for White, "GR" for Grey, "BR" for Brown
"BL" for Black **

***Replace first "0" with "A" for alum option.
Ex: WCD/A0.... **

| Product Code | A x B (in) | C (in) | D (in) | Carton Qty |
|--------------|--------------|--------|--------|------------|
| WCD/0003/xx | 4" x 2.375" | 8" | 3" | 50 |
| WCD/0004/xx | 5" x 2.5" | 8" | 4" | 32 |
| WCD/0005/xx | 6" x 3" | 9" | 5" | 20 |
| WCD/0006/xx | 7" x 3.5" | 10.25" | 6" | 14 |
| WCD/0007/xx | 8" x 4.5" | 9" | 7" | 8 |
| WCD/0008/xx | 9" x 5" | 9" | 8" | 7 |
| WCD/0010/xx | 11" x 6" | 8.75" | 10" | 4 |
| WCD/0012/xx | 13" x 7.25" | 8.75" | 12" | 2 |
| WCD/0014/xx | 15" x 8.375" | 8.75" | 14" | 2 |



[\(403\) 327-9871](tel:4033279871)

sales@tradesmanmfg.ca

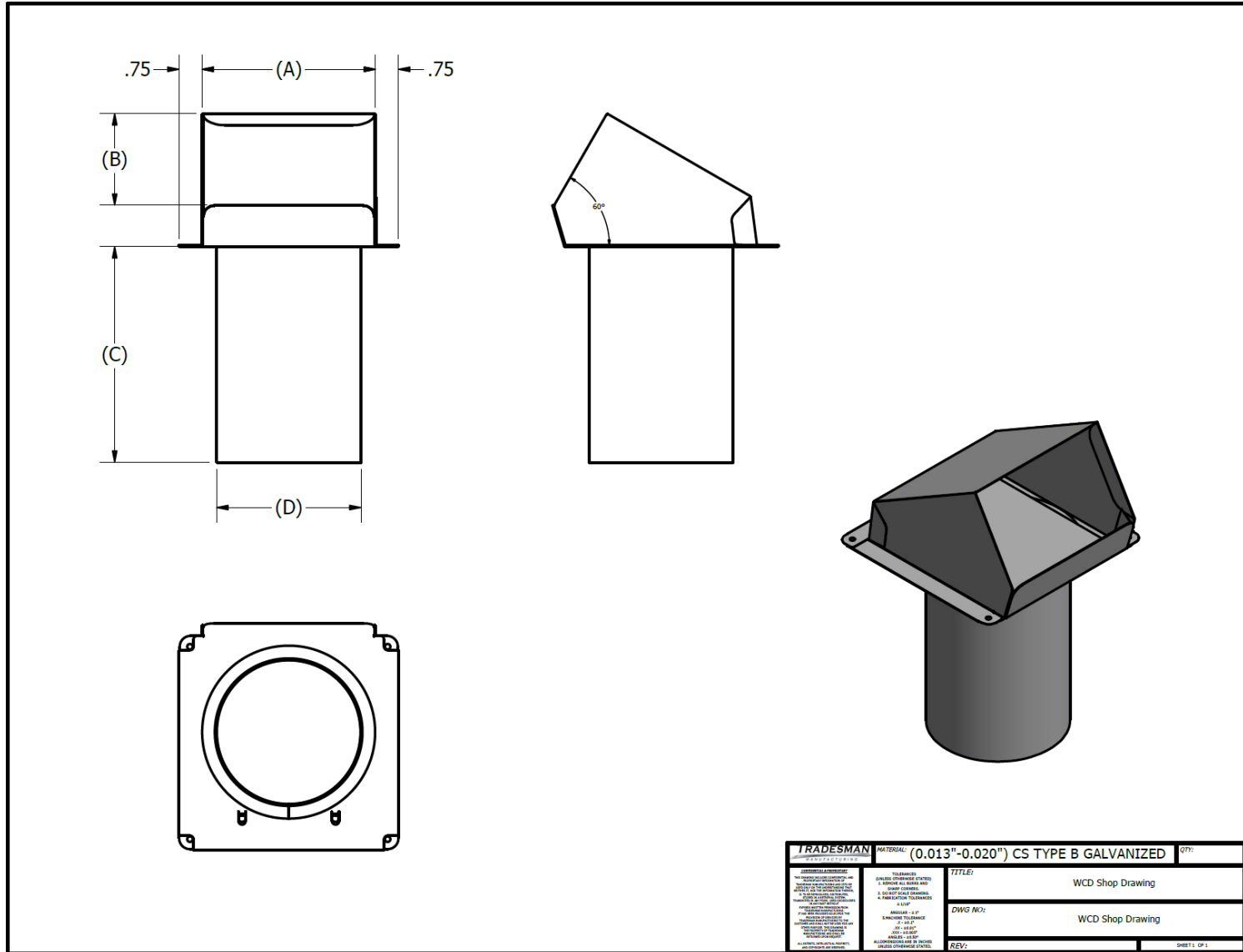
www.tradesmanmfg.ca

Specifications are subject to change without notice or obligation. All Tradesman Manufacturing products are guaranteed against defective material.

HOODS - WALL CAP

TRADESMAN

MANUFACTURING



(403) 327-9871

sales@tradesmanmfg.ca

www.tradesmanmfg.ca

Specifications are subject to change without notice or obligation. All Tradesman Manufacturing products are guaranteed against defective material.