

TRADESMAN

MANUFACTURING

DESCRIPTION

The Tradesman fresh air hood provides an inlet to supply fresh outside air to a furnace.

CONSTRUCTION

Made of galv or choice of four pre-painted colours.

FEATURES

Includes screen to keep birds and rodents out.
Made with 1" straight section at the top for easy exterior finishing.

GUARANTEE

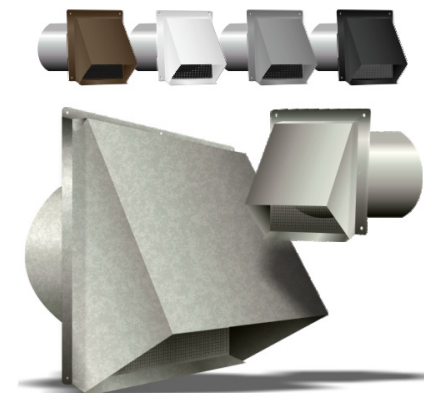
All Tradesman Manufacturing products are guaranteed against defective material.

OPTIONAL CONSTRUCTION

304 Stainless Steel
316 Stainless Steel
Aluminum

Contact Tradesman Manufacturing for availability, pricing, and lead time.

Product Code	A x B (in)	C (in)	D (in)	Carton Qty
FAH/0003/xx	4" x 2.375"	8"	3"	50
FAH/0004/xx	5" x 2.5"	8"	4"	32
FAH/0005/xx	6" x 3"	9"	5"	20
FAH/0006/xx	7" x 3.5"	10.25"	6"	14
FAH/0007/xx	8" x 4.5"	9"	7"	8
FAH/0008/xx	9" x 5"	9"	8"	7
FAH/0010/xx	11" x 6"	8.75"	10"	4
FAH/0012/xx	13" x 7.25"	8.75"	12"	2
FAH/0014/xx	15" x 8.375"	8.75"	14"	2



[\(403\) 327-9871](tel:(403)327-9871)

sales@tradesmanmfg.ca

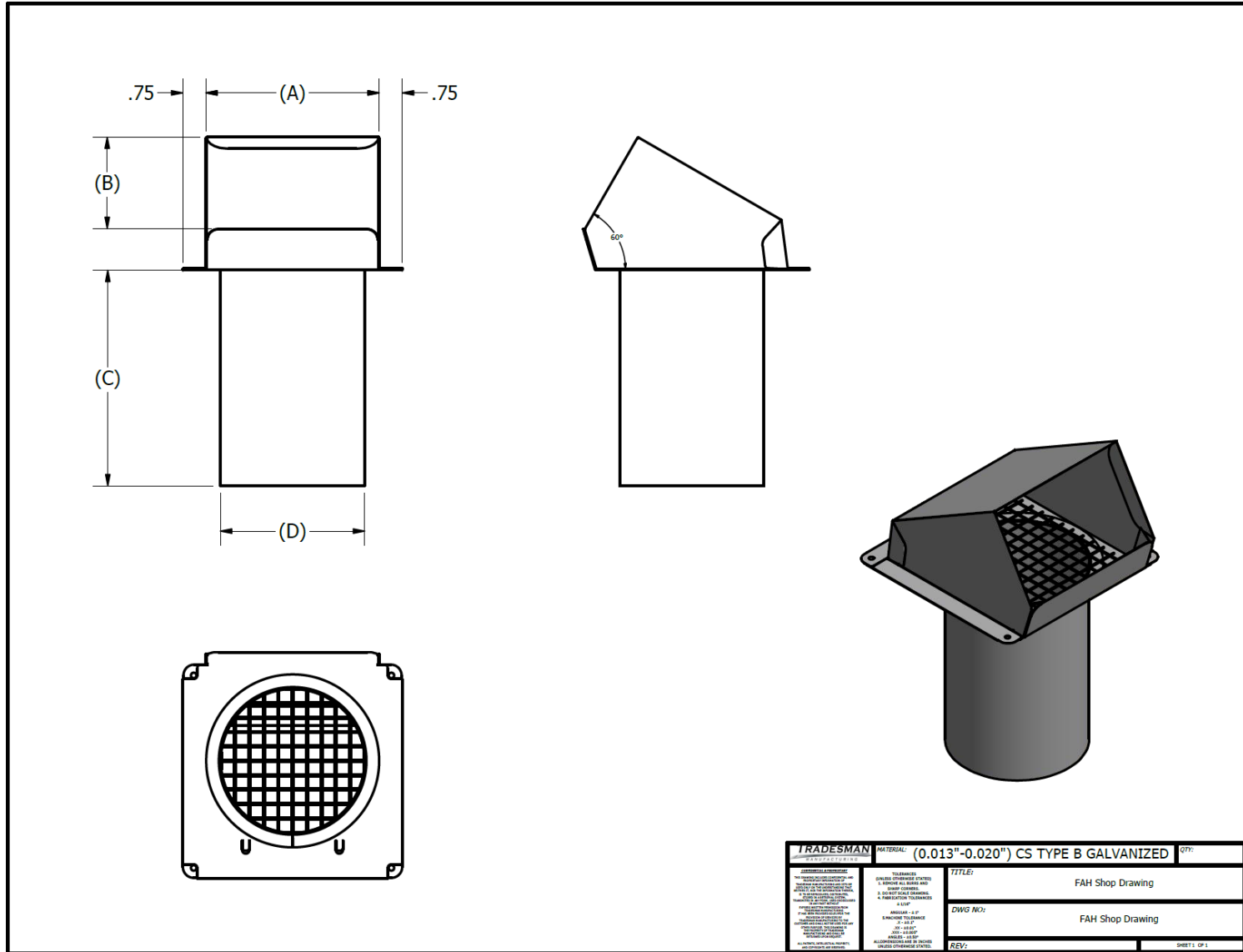
www.tradesmanmfg.ca

Specifications are subject to change without notice or obligation. All Tradesman Manufacturing products are guaranteed against defective material.

HOODS - FRESH AIR

TRADESMAN

MANUFACTURING



TRADESMAN <small>MANUFACTURING</small> TRADESMAN MANUFACTURING 1000 W. 10TH AVE. SUITE 100 DENVER, CO 80202 (303) 733-8800 WWW.TRADESMANMFG.COM	MATERIAL: (0.013"-0.020") CS TYPE B GALVANIZED	QTY:
	TITLE: FAH Shop Drawing	DWG No: FAH Shop Drawing
	REV:	SHEET 1 OF 1
	<small>TRADESMAN MANUFACTURING IS NOT RESPONSIBLE FOR THE CONSTRUCTION OF THIS DRAWING. THE USER OF THIS DRAWING SHALL BE RESPONSIBLE FOR THE PROPER INTERPRETATION AND USE OF THIS DRAWING. ALL DIMENSIONS ARE IN INCHES UNLESS OTHERWISE SPECIFIED.</small>	

(403) 327-9871

sales@tradesmanmfg.ca

www.tradesmanmfg.ca

Specifications are subject to change without notice or obligation. All Tradesman Manufacturing products are guaranteed against defective material.