

DESCRIPTION

The Tradesman heavy duty damper provides the ability to regulate air by locking the damper in place.

CONSTRUCTION

Made of 24GA galvanized.
Includes standoff with locking adjustment knob
Damper inside includes big end/small end sleeve.

FEATURES

Laser cut for accuracy.
Made to fit Tradesman pipe and fittings.

GUARANTEE

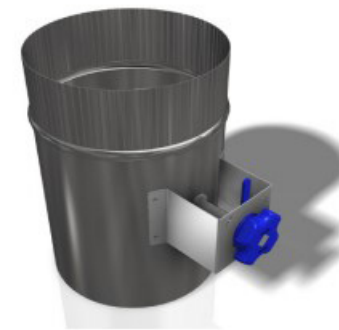
Made in Canada. All Tradesman Manufacturing products are guaranteed against defective material.

OPTIONAL CONSTRUCTION

304 Stainless Steel
316 Stainless Steel
Aluminum

Contact Tradesman Manufacturing for availability, pricing, and lead time.

Product Code	X (in)	Gauge	Carton Qty
HDS/0004/24	4"	24	10
HDS/0005/24	5"	24	10
HDS/0006/24	6"	24	18
HDS/0007/24	7"	24	6
HDS/0008/24	8"	24	18
HDS/0009/24	9"	24	N/A
HDS/0010/24	10"	24	12
HDS/0012/24	12"	24	N/A
HDS/0014/24	14"	24	N/A
HDS/0016/22	16"	24	N/A
HDS/0018/22	18"	24	N/A
HDS/0020/22	20"	24	N/A



[\(403\) 327-9871](tel:4033279871)

sales@tradesmanmfg.ca

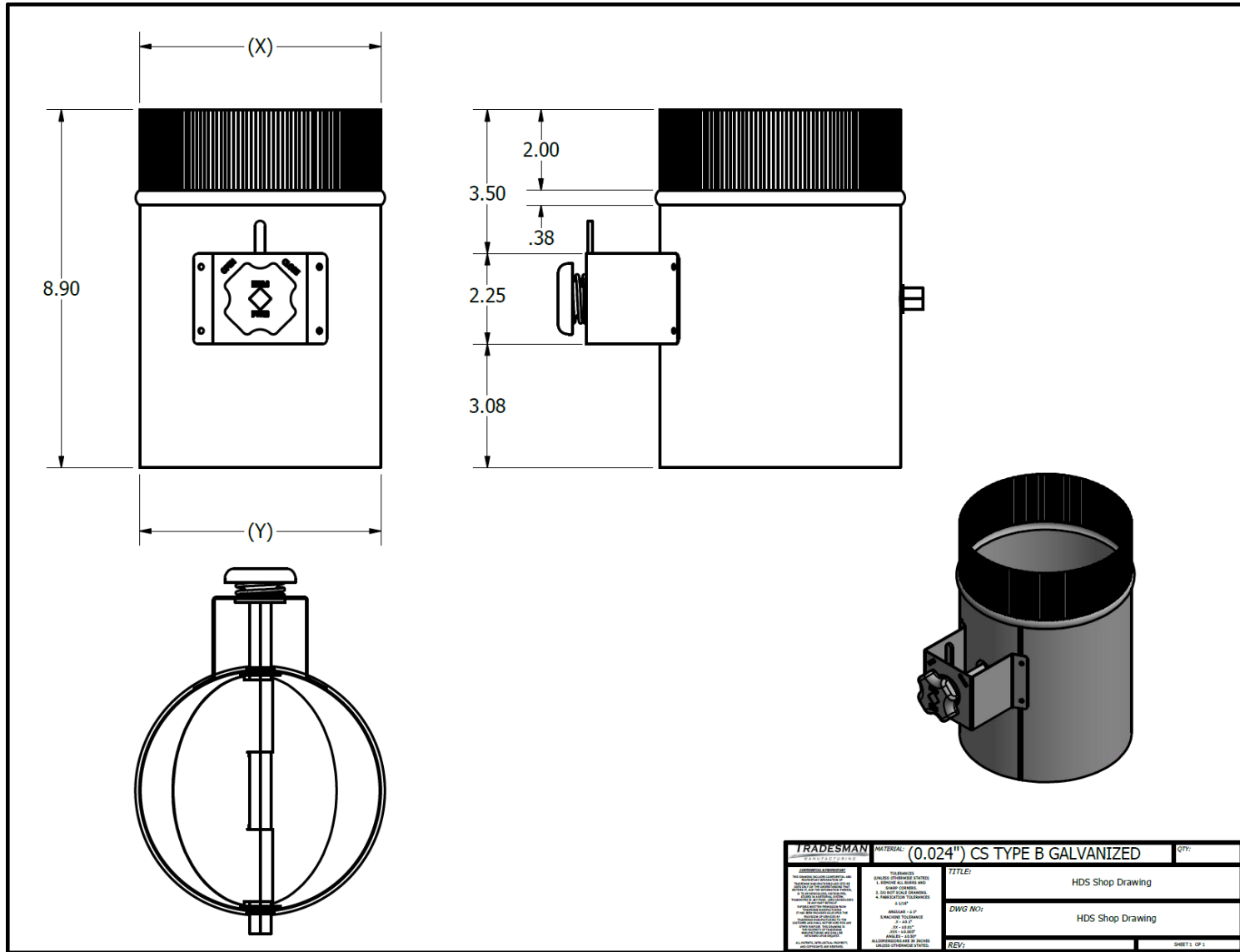
www.tradesmanmfg.ca

Specifications are subject to change without notice or obligation. All Tradesman Manufacturing products are guaranteed against defective material.

HEAVY DUTY DAMPER

TRADESMAN

MANUFACTURING



[\(403\) 327-9871](tel:4033279871)

sales@tradesmanmfg.ca

www.tradesmanmfg.ca

Specifications are subject to change without notice or obligation. All Tradesman Manufacturing products are guaranteed against defective material.