

## DESCRIPTION

The Tradesman end cap is designed to fit over the end of duct to stop airflow.

## CONSTRUCTION

Made of 26GA–28GA galvanized.

## FEATURES

100% laser cut for accuracy.  
 Made to fit Tradesman duct.  
 Proprietary hem to hold end cap in place better.

## GUARANTEE

Made in Canada. All Tradesman Manufacturing products are guaranteed against defective material.

## OPTIONAL CONSTRUCTION

Custom sizes available upon request to suit any and all applications.

Contact Tradesman Manufacturing for availability, pricing, and lead time.

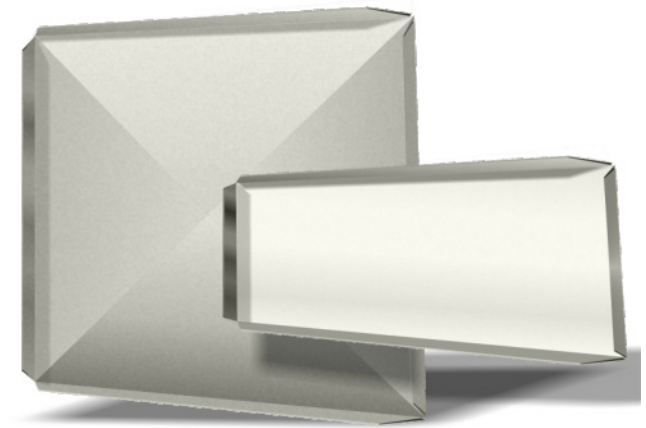
Product Code	Dimension	Bundle Qty
ECA/0310/30	3" x 10"	20
ECA/0410/30	4" x 10"	20
ECA/0608/30	6" x 8"	20
ECA/0808/30	8 x 8"	20
ECA/0810/30	10" x 8"	20
ECA/0812/30	12" x 8"	20
ECA/0814/30	14" x 8"	20
ECA/0816/28	16" x 8"	20
ECA/0818/28	18" x 8"	20
ECA/0820/26	20" x 8"	20
ECA/0822/26	22" x 8"	20
ECA/0824/26	24" x 8"	20
ECA/0825/26	25" x 8"	20
ECA/0826/26	26" x 8"	20
ECA/1010/30	10" x 10"	20
ECA/1012/30	12" x 10"	20
ECA/1014/30	14" x 10"	20

# TRADESMAN

MANUFACTURING

## END CAP

Product Code	Dimension	Bundle Qty
ECA/1016/28	16" x 10"	20
ECA/1018/28	18" x 10"	20
ECA/1020/26	20" x 10"	20
ECA/1022/26	22" x 10"	20
ECA/1024/26	24" x 10"	20
ECA/1025/26	25" x 10"	20
ECA/1026/26	26" x 10"	20
ECA/1220/26	20" x 12"	20
ECA/1224/26	24" x 12"	20
ECA/1225/26	12" x 12"	20
ECA/9525/26	25" x 9.5"	20



[\(403\) 327-9871](tel:4033279871)

[sales@tradesmanmfg.ca](mailto:sales@tradesmanmfg.ca)

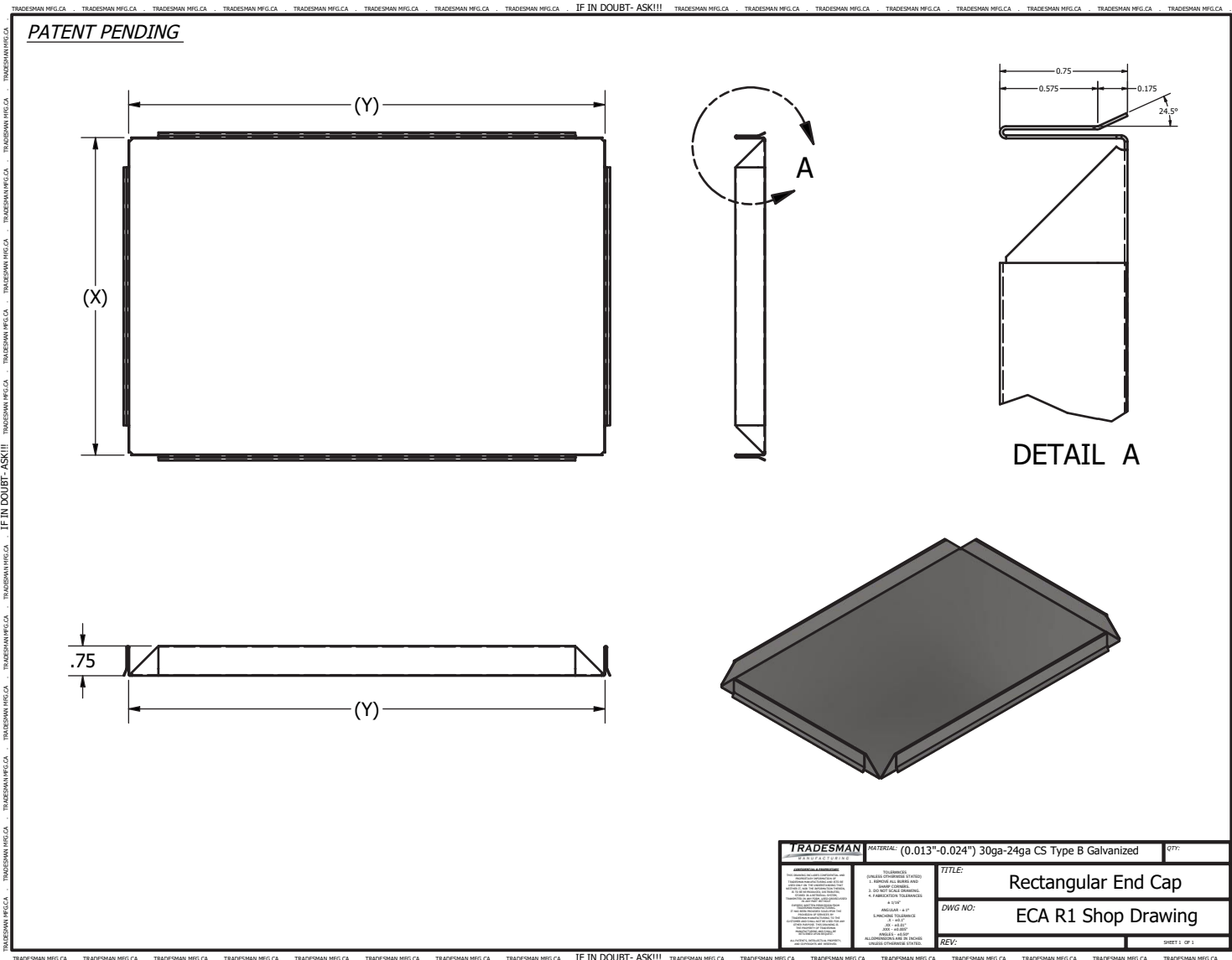
[www.tradesmanmfg.ca](http://www.tradesmanmfg.ca)

Specifications are subject to change without notice or obligation. All Tradesman Manufacturing products are guaranteed against defective material.

# TRADESMAN

MANUFACTURING

# END CAP



(403) 327-9871

[sales@tradesmanmfg.ca](mailto:sales@tradesmanmfg.ca)

[www.tradesmanmfg.ca](http://www.tradesmanmfg.ca)

Specifications are subject to change without notice or obligation. All Tradesman Manufacturing products are guaranteed against defective material.