

DESCRIPTION

The Tradesman spiral elbow is used for low and high pressure applications and can be cut on site to any degree. They are available from 4" to 18" and made with a continuous spiral seam. They are made full throat and available in 90° and 45°. A small end on both sides is standard.

CONSTRUCTION

Made of 26GA galvanized.

FEATURES

Pressure rating (-1 to +10 water gauge)
Spiral seam for added strength and low leakage.

GUARANTEE

All Tradesman Manufacturing products are guaranteed against defective material.

Contact Tradesman Manufacturing for availability, pricing, and lead time.

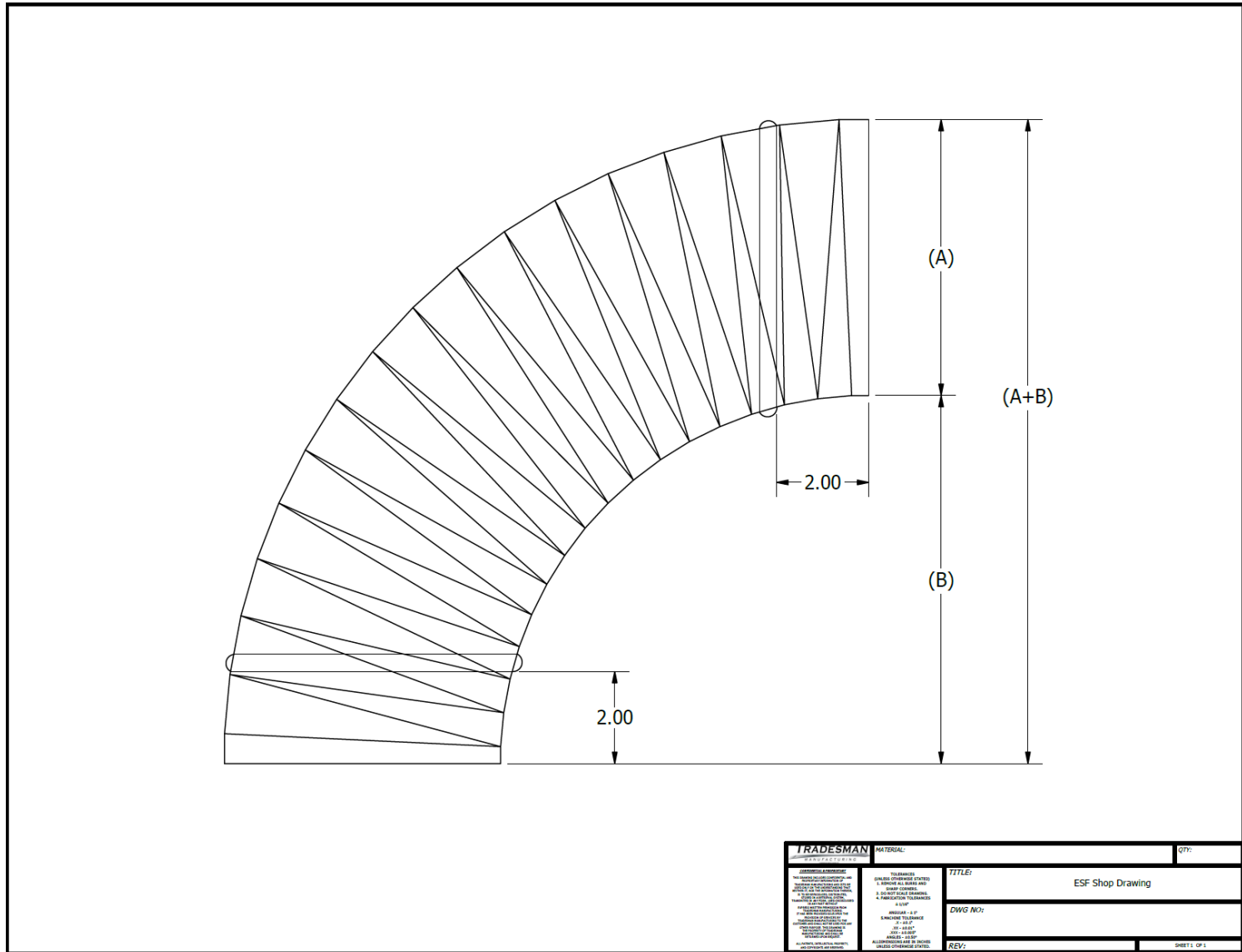
Product Code	A/B (in)	Box/Bundle Qty
ESF/0490/26	4"	15
ESF/0590/26	5"	16
ESF/0690/26	6"	96
ESF/0790/26	7"	50
ESF/0890/26	8"	43
ESF/0990/26	9"	30
ESF/1090/26	10"	22
ESF/1290/26	12"	12
ESF/1490/26	14"	9
ESF/1690/26	16"	N/A
ESF/1890/26	18"	N/A
ESF/0445/26	4"	24
ESF/0545/26	5"	24

SPIRAL ELBOW

Product Code	A/B (in)	Box/Bundle Qty
ESF/0645/26	6"	168
ESF/0745/26	7"	100
ESF/0845/26	8"	78
ESF/0945/26	9"	58
ESF/1045/26	10"	45
ESF/1245/26	12"	24
ESF/1445/26	14"	18
ESF/1645/26	16"	N/A
ESF/1845/26	18"	N/A



SPIRAL ELBOW



TRADESMAN MANUFACTURING	MATERIAL:	QTY:
<small>TRADESMAN MANUFACTURING 1000 INDUSTRIAL BLVD. MILWAUKEE, WI 53219 TEL: 414-224-1100 WWW.TRADESMANMFG.COM</small>	<small>TOLERANCES UNLESS OTHERWISE SPECIFIED FRACTIONS TO 3 DECIMALS & DECIMALS TO 2 DECIMALS & FINISHES TO 0.0005 A. FINISHES TO 0.0005 B. FINISHES TO 0.0010 C. FINISHES TO 0.0015 D. FINISHES TO 0.0020 E. FINISHES TO 0.0025 F. FINISHES TO 0.0030 G. FINISHES TO 0.0035 H. FINISHES TO 0.0040 I. FINISHES TO 0.0045 J. FINISHES TO 0.0050 K. FINISHES TO 0.0055 L. FINISHES TO 0.0060 M. FINISHES TO 0.0065 N. FINISHES TO 0.0070 O. FINISHES TO 0.0075 P. FINISHES TO 0.0080 Q. FINISHES TO 0.0085 R. FINISHES TO 0.0090 S. FINISHES TO 0.0095 T. FINISHES TO 0.0100</small>	<small>TITLE: ESF Shop Drawing</small>
	<small>DWG NO:</small>	
	<small>REV:</small>	<small>SHEET: 011</small>

[\(403\) 327-9871](tel:4033279871)

sales@tradesmanmfg.ca

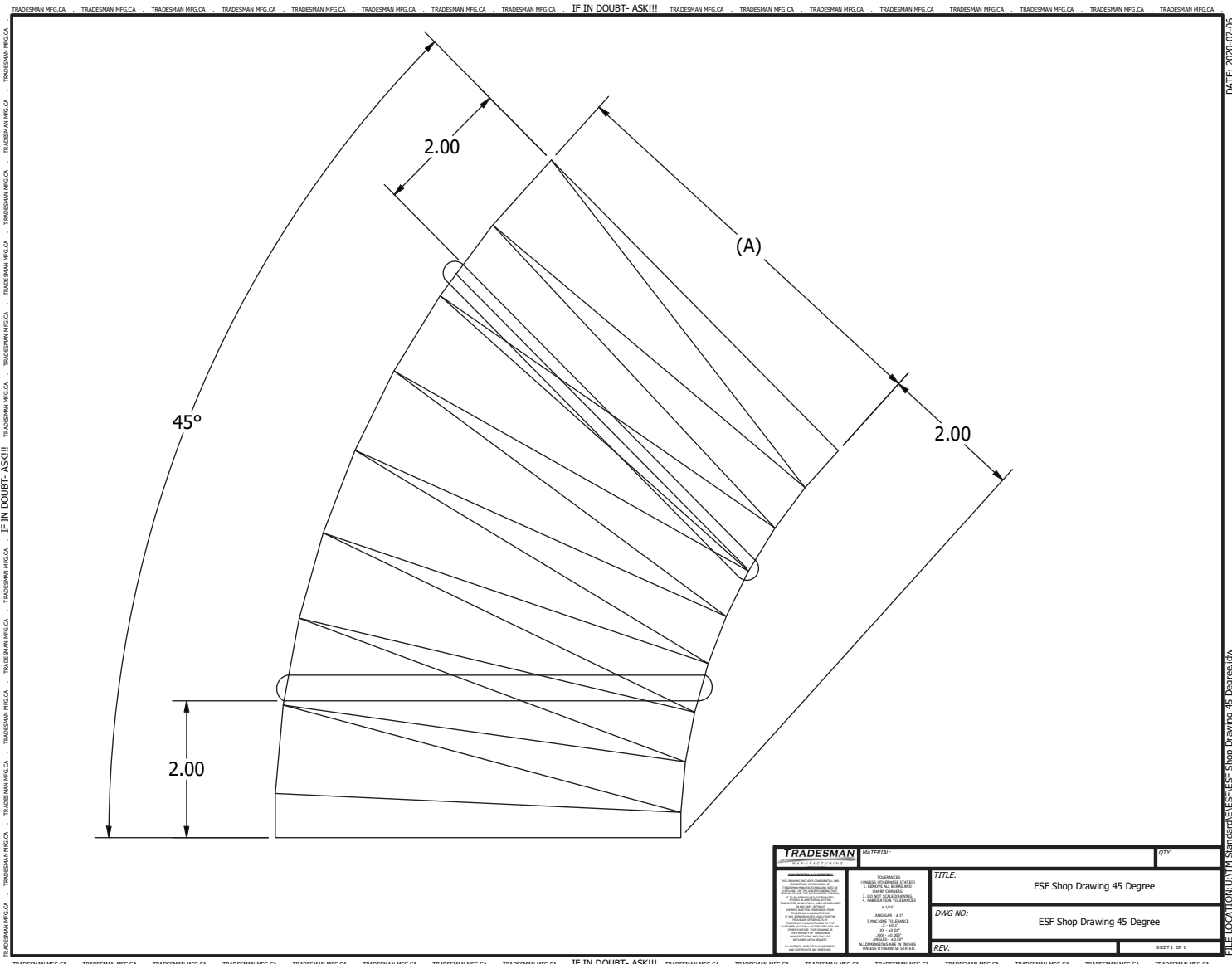
www.tradesmanmfg.ca

Specifications are subject to change without notice or obligation. All Tradesman Manufacturing products are guaranteed against defective material.

SPIRAL ELBOW

TRADESMAN

MANUFACTURING



FILE LOCATION: L:\TM Standard\ESF\ESF Shop Drawing 45 Degree.dwg

[\(403\) 327-9871](tel:(403)327-9871)

sales@tradesmanmfg.ca

www.tradesmanmfg.ca

Specifications are subject to change without notice or obligation. All Tradesman Manufacturing products are guaranteed against defective material.