



## DESCRIPTION

The Tradesman elbow is designed to change duct direction either vertically or horizontally 90°.

## CONSTRUCTION

Made of 26GA to 28GA galvanized.

## FEATURES

Smooth seam for optimal airflow.  
Made to fit Tradesman duct.

## GUARANTEE

Made in Canada. All Tradesman Manufacturing products are guaranteed against defective material.

## OPTIONAL CONSTRUCTION

Custom sizes available upon request to suit any and all applications.

**Contact Tradesman Manufacturing for availability, pricing, and lead time.**

Product Code	Large Dimension (X & Y)	Dimension (Z)	Shortway/ Longway	Box Qty
ENL/0808/28	8" x 8"	6"	Longway	5
ENL/0810/28	8" x 10"	6"	Longway	5
ENL/0812/28	8" x 12"	6"	Longway	5
ENL/0814/28	8" x 14"	6"	Longway	5
ENL/0816/28	8" x 16"	6"	Longway	5
ENL/0818/28	8" x 18"	6"	Longway	5
ENL/0820/26	8" x 20"	6"	Longway	5
ENL/0822/26	8" x 22"	6"	Longway	1
ENL/0824/26	8" x 24"	6"	Longway	1
ENL/1010/28	10" x 10"	6"	Longway	5
ENL/1012/28	10" x 12"	6"	Longway	5
ENL/1014/28	10" x 14"	6"	Longway	5
ENL/1016/28	10" x 16"	6"	Longway	5
ENL/1018/28	10" x 18"	6"	Longway	5
ENL/1020/26	10" x 20"	6"	Longway	5
ENL/1022/26	10" x 22"	6"	Longway	1

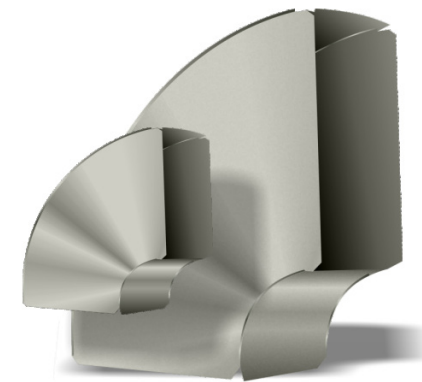
# DUCT FITTING - ELBOW 90°

## TRADESMAN

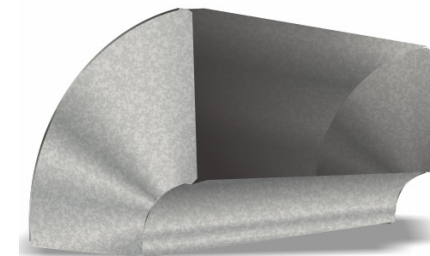
MANUFACTURING

Product Code	Large Dimension (X & Y)	Dimension (Z)	Shortway/ Longway	Box Qty
ENL/1024/26	10" x 24"	6"	Longway	1
ENS/0310/30	3" x 10"	6"	Shortway	5
ENS/0808/28	8" x 8"	6"	Shortway	5
ENS/0810/28	8" x 10"	6"	Shortway	5
ENS/0812/28	8" x 12"	6"	Shortway	5
ENS/0814/28	8" x 14"	6"	Shortway	5
ENS/0816/28	8" x 16"	6"	Shortway	5
ENS/0818/28	8" x 18"	6"	Shortway	5
ENS/0820/26	8" x 20"	6"	Shortway	5
ENS/0822/26	8" x 22"	6"	Shortway	5
ENS/0824/26	8" x 24"	6"	Shortway	5
ENS/1010/28	10" x 10"	6"	Shortway	5
ENS/1012/28	10" x 12"	6"	Shortway	5
ENS/1014/28	10" x 14"	6"	Shortway	5
ENS/1016/28	10" x 16"	6"	Shortway	5
ENS/1018/26	10" x 18"	6"	Shortway	5
ENS/1020/26	10" x 20"	6"	Shortway	5

Product Code	Large Dimension (X & Y)	Dimension (Z)	Shortway/ Longway	Box Qty
ENS/1022/26	10" x 22"	6"	Shortway	5
ENS/1024/26	10" x 24"	6"	Shortway	5
ENS/1224/26	12" x 24"	6"	Shortway	5



90° Duct Elbow: Longway



90° Duct Elbow: Shortway

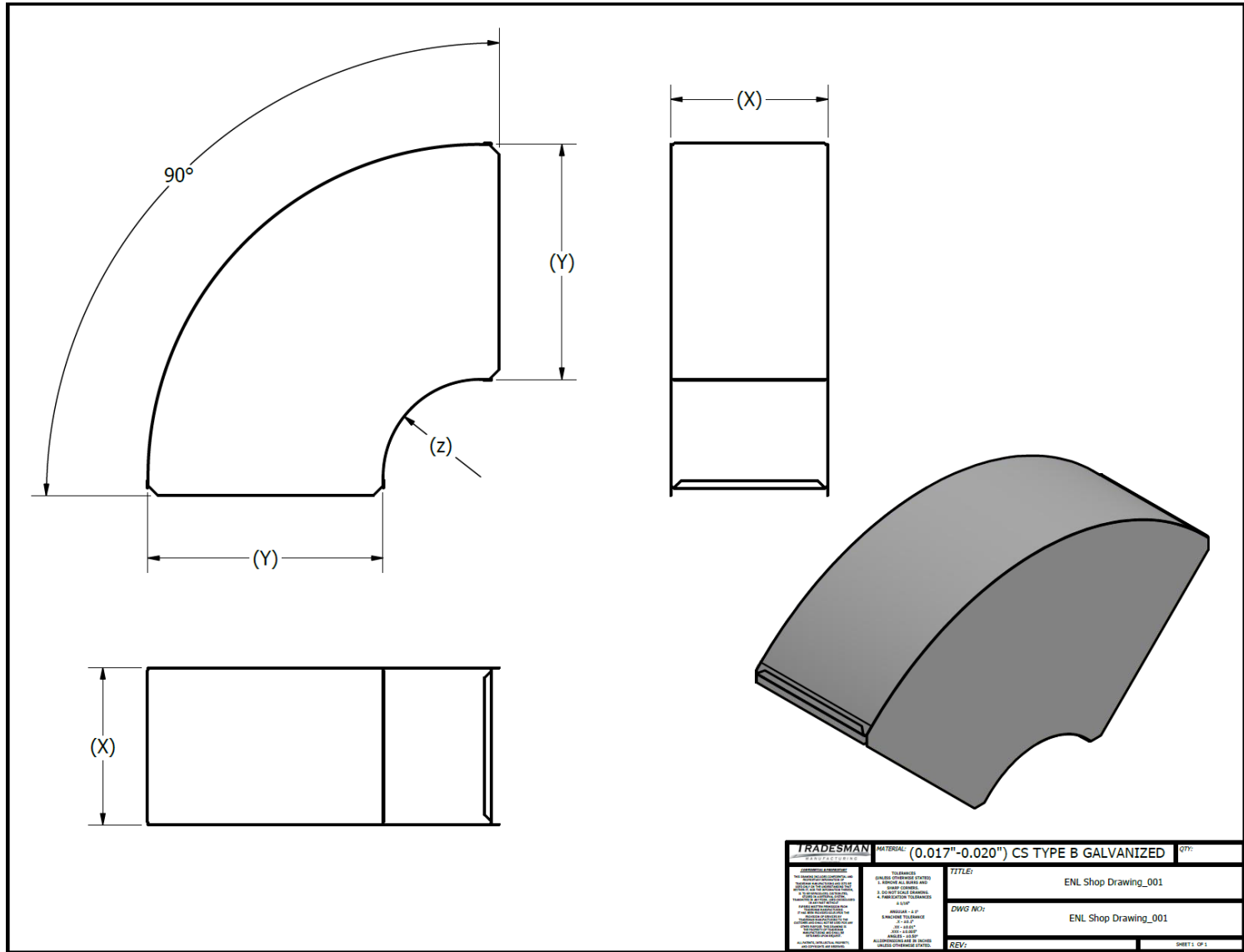
(403) 327-9871

[sales@tradesmanmfg.ca](mailto:sales@tradesmanmfg.ca)

[www.tradesmanmfg.ca](http://www.tradesmanmfg.ca)

Specifications are subject to change without notice or obligation. All Tradesman Manufacturing products are guaranteed against defective material.

# DUCT FITTING - ELBOW 90°



90° Duct Elbow: Longway

(403) 327-9871

[sales@tradesmanmfg.ca](mailto:sales@tradesmanmfg.ca)

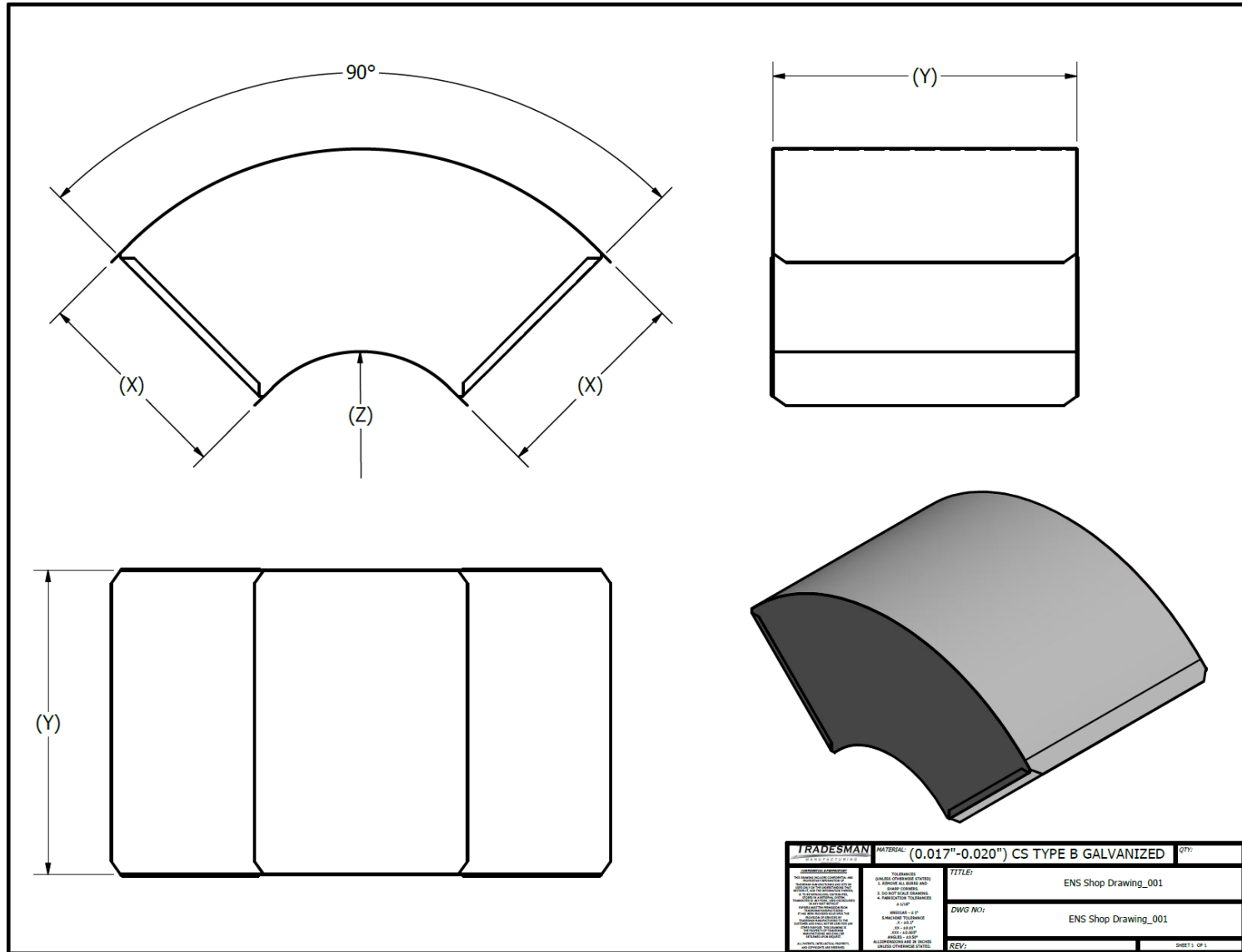
[www.tradesmanmfg.ca](http://www.tradesmanmfg.ca)

Specifications are subject to change without notice or obligation. All Tradesman Manufacturing products are guaranteed against defective material.

# DUCT FITTING - ELBOW 90°

# TRADESMAN

MANUFACTURING



90° Duct Elbow: Shortway

(403) 327-9871

[sales@tradesmanmfg.ca](mailto:sales@tradesmanmfg.ca)

[www.tradesmanmfg.ca](http://www.tradesmanmfg.ca)

Specifications are subject to change without notice or obligation. All Tradesman Manufacturing products are guaranteed against defective material.