

DRYER BOX



DESCRIPTION

Tradesman's Dryer Box makes it easy to vent dryers to the outside while still having the dryer against the wall.

FEATURES

- Made in Canada
- 100% laser cut for accuracy
- Made to fit Tradesman pipe and fittings
- Mounts in 2" x 4" wall to sit flush with drywall
- Allows multi-direction installation

CONSTRUCTION

Made of galvanized complete with tube to attach to dryer vent.

Contact Tradesman Manufacturing for availability, pricing, and lead time.

SKU	Box Qty
DYB/4T35	12

[\(403\) 327-9871](tel:4033279871)

sales@tradesmanmfg.ca

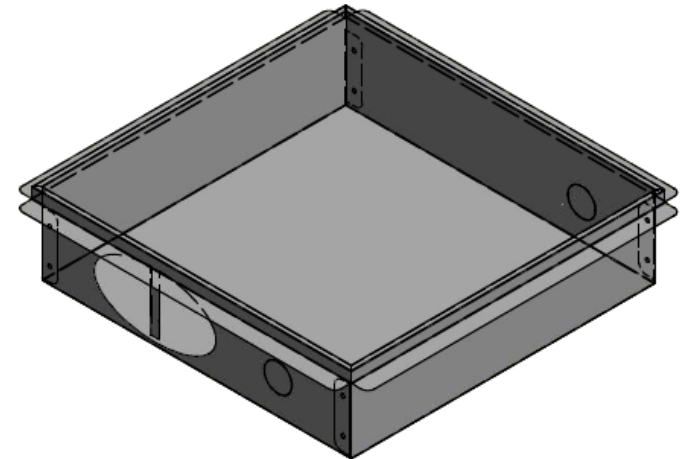
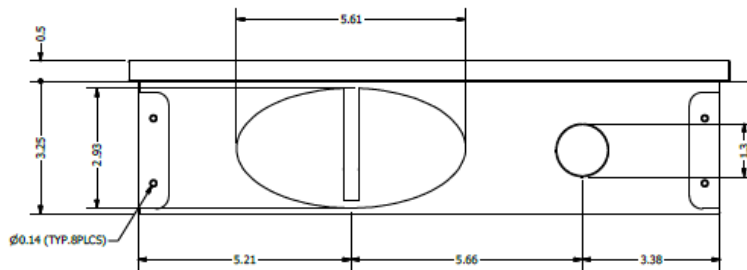
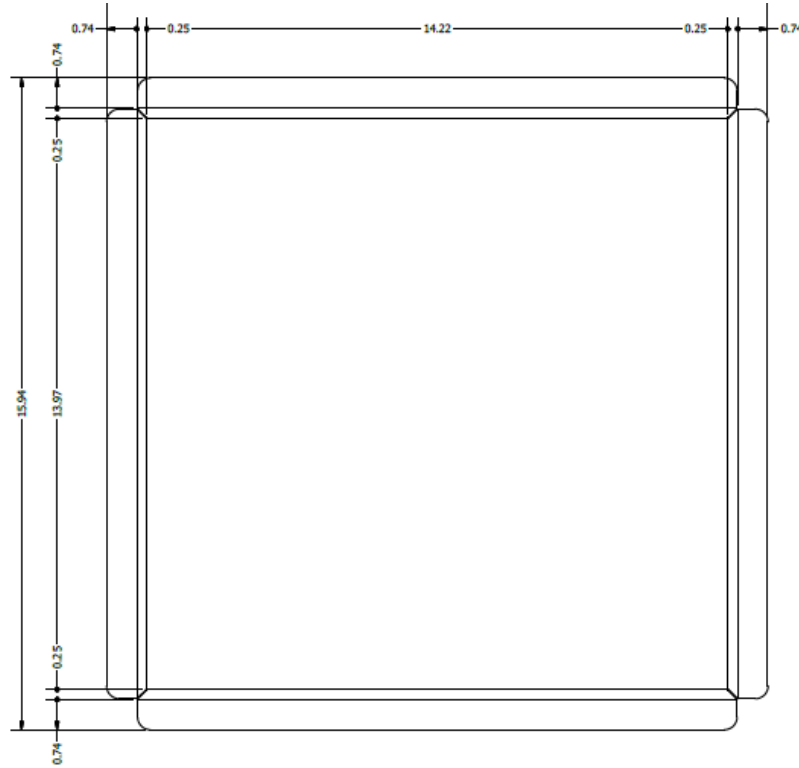
www.tradesmanmfg.ca

Specifications are subject to change without notice or obligation. All Tradesman Manufacturing products are guaranteed against defective material.

DRYER BOX

TRADESMAN

MANUFACTURING



TRADESMAN MANUFACTURING	MATERIAL: (0.013") 30ga CS Type B galvanized	QTY: AIOP
<small>TRADESMAN MANUFACTURING 1000 WILSON AVENUE WILSON, ONTARIO L9R 1Z1</small>	<small>TOLERANCES (UNLESS OTHERWISE SPECIFIED) 1. DIMENSIONS IN MILLIMETERS</small>	TITLE: FVR_471C 03

[\(403\) 327-9871](tel:4033279871)

sales@tradesmanmfg.ca

www.tradesmanmfg.ca

Specifications are subject to change without notice or obligation. All Tradesman Manufacturing products are guaranteed against defective material.