

# TRADESMAN

MANUFACTURING



## DESCRIPTION

Tradesman's Combustion Air Bucket provides combustion air for mid efficient furnaces and hot water tanks in mechanical rooms.

## FEATURES

Made in Canada  
100% laser cut for accuracy  
Made to fit Tradesman pipe and fittings

Nominal Size	X"	Y"	Z"	Box Qty
4	3.875"	8"	9.13"	12
5	4.875"	8"	9.13"	12
6	5.875"	8"	9.13"	10
7	6.875"	11"	12.12"	
8	7.875"	11"	12.12"	2
10	9.875"	14"	15.12"	
12	11.875"	14"	15.12"	
14	13.875"	18"	18.14"	

## CONSTRUCTION

Made of galvanized complete with mounting bracket for easy installation.

## OPTIONAL CONSTRUCTION

Custom sizes available upon request to suit any and all applications.

**Contact Tradesman Manufacturing for availability, pricing, and lead time.**

[\(403\) 327-9871](tel:4033279871)

[sales@tradesmanmfg.ca](mailto:sales@tradesmanmfg.ca)

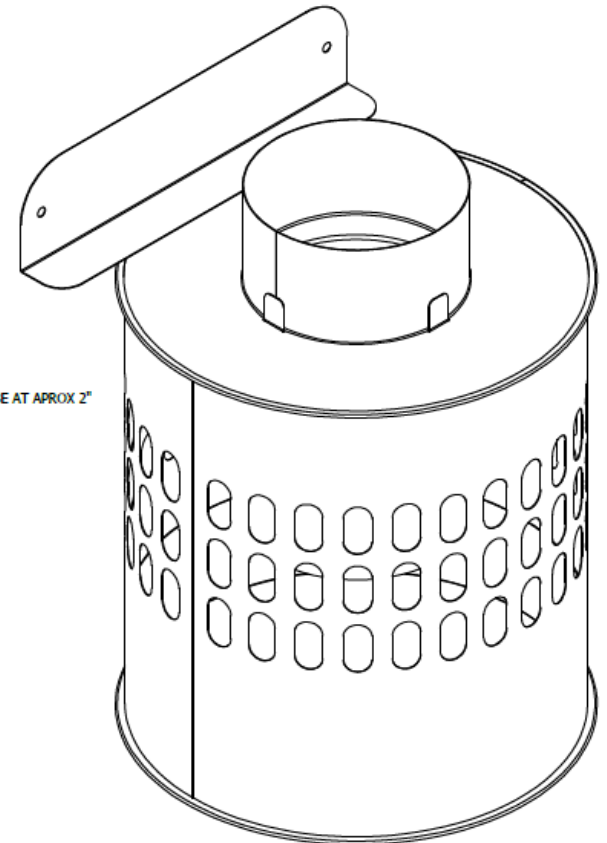
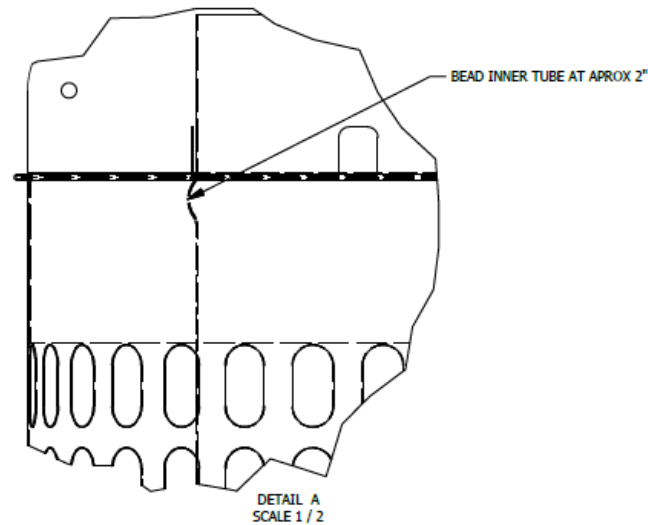
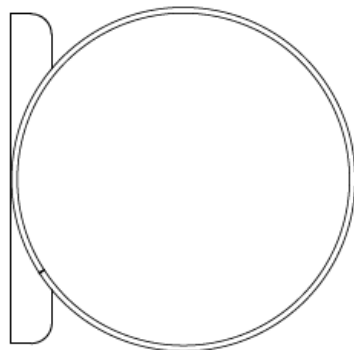
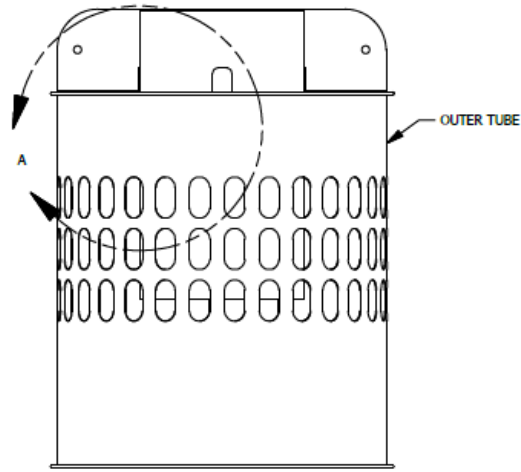
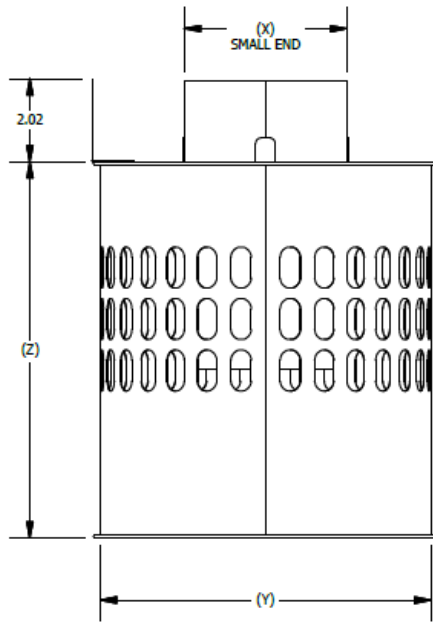
[www.tradesmanmfg.ca](http://www.tradesmanmfg.ca)

Specifications are subject to change without notice or obligation. All Tradesman Manufacturing products are guaranteed against defective material.

# COMBUSTION AIR BUCKET

# TRADESMAN

MANUFACTURING



(403) 327-9871

[sales@tradesmanmfg.ca](mailto:sales@tradesmanmfg.ca)

[www.tradesmanmfg.ca](http://www.tradesmanmfg.ca)

Specifications are subject to change without notice or obligation. All Tradesman Manufacturing products are guaranteed against defective material.