

TRADESMAN

MANUFACTURING

DESCRIPTION

Tradesman's Access Door with tab lock frame is used to access the inside of rectangular ductwork. Double panelled with front and back metal plates, and 1" insulation.

CONSTRUCTION

Made of 26GA galvanized complete with gasketed door for the most efficient way of filtering air passing through a furnace. Can be made to fit 1", 2", or 4"

FEATURES

Regular doors can be used up to 4" WG
 Meets 2005 SMACNA Standards for pressure class & gauge
 (Refer to page 7-2, figure 7-2)
 Made with Domestic Galvanized Steel
 Union Made

OPTIONAL CONSTRUCTION

Closed cell foam insulation (replacing fibreglass)
 Additional Cams
 Custom sizes
 Neoprene gasket bonded outside of the frame
 Stainless Steel 304
 Stainless Steel 316
 Aluminum
 Galvanneal (Paint Grip)

Contact Tradesman Manufacturing for availability, pricing, and lead time.

Size	# of Cams	Box Qty
6" x 6"	2	15
8" x 8"	2	15
10" x 10"	2	16
12" x 12"	2	10
14" x 14"	2	6
16" x 16"	4	6
16" x 12"	4	6
18" x 18"	4	6
18" x 12"	4	6
20" x 20"	4	6
24" x 24"	4	6
24" x 12"	4	6
24" x 18"	4	6

[\(403\) 327-9871](tel:(403)327-9871)

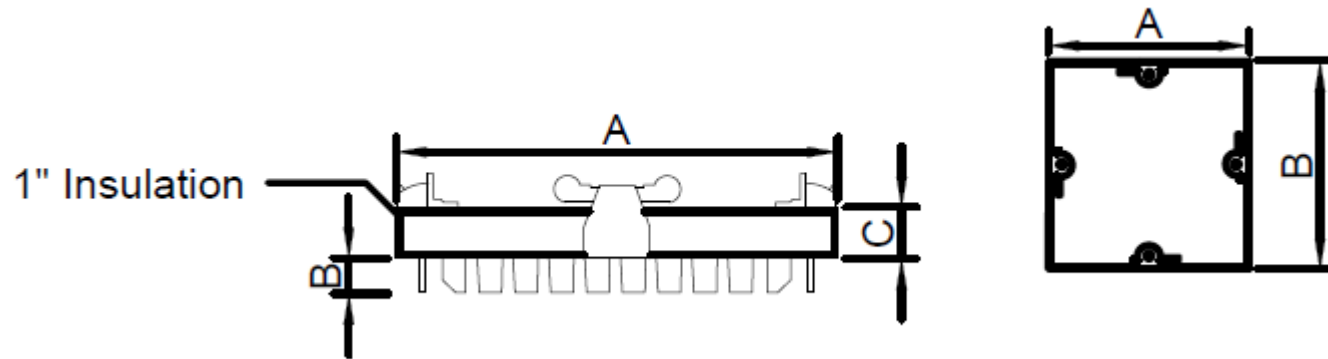
sales@tradesmanmfg.ca

www.tradesmanmfg.ca

Specifications are subject to change without notice or obligation. All Tradesman Manufacturing products are guaranteed against defective material.

TRADESMAN

MANUFACTURING



DOOR PANEL

Consists of 24GA manufactured from ASTM A-654 G60 panels mechanically locked together.

INSULATION

1" high-density fireglass insulation UL Classifications FHC25/50, ATSM C 1071; Type 1 ATSM G 21, Greenguard Indoor Air Quality Certified*, Greenguard Children and Schools, NFPA 90A and 90B.

GASKET

Closed-cell neoprene gasket is UL94HF1 listed with service temperature range of 20 F to 200 F
The gasket is bonded to the inside of the frame.

DOVETAIL FRAME

Frames measuring 6" x 6" to 12" x 12" are manufactured from 24 gauge galvanized steel.

Frames measuring 14" x 14" to 24" x 24" are manufactured from 22 gauge galvanized steel.

All frames are manufactured with spot welds at each corner for increased strength and an improved dovetail design for easy installation on metal duct.

CAMS & STRIKES

The cam is stamped using 16GA galvanized steel. The latch is stamped from 20GA galvanized steel. Each cam is secured to the door with a rivet.

[\(403\) 327-9871](tel:4033279871)

sales@tradesmanmfg.ca

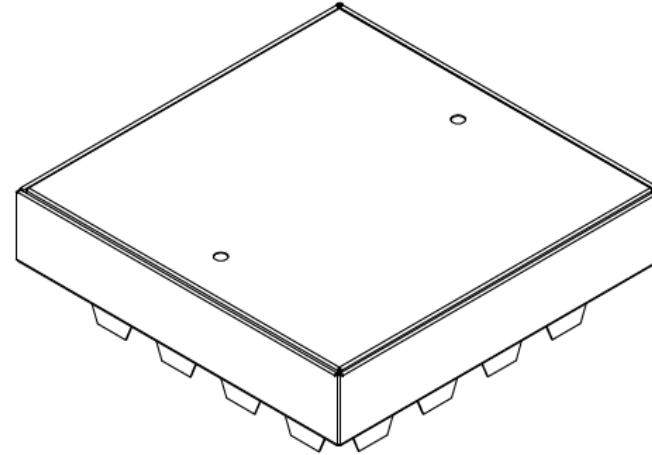
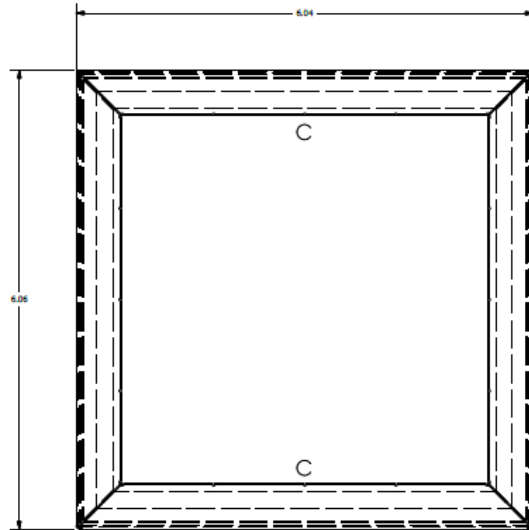
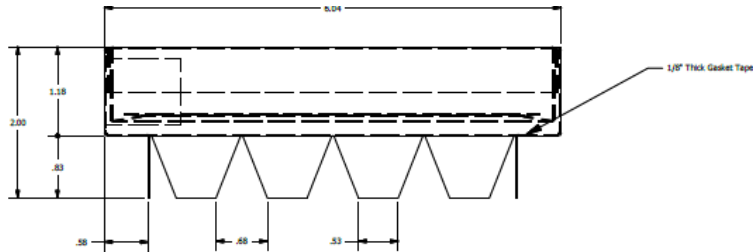
www.tradesmanmfg.ca

Specifications are subject to change without notice or obligation. All Tradesman Manufacturing products are guaranteed against defective material.

ACCESS DOORS

TRADESMAN

MANUFACTURING



ITEM		QTY	PARTS LIST	
			PART NUMBER	DESCRIPTION
1		1	ELG-AD01-40_001	
2		1	ELG-AD01-40_002	
3		1	ELG-AD01-40_003	
4		1	HAR/T115	HAR/T115 - Hardware Swivel Lock Turn 115# - 100/ctn
5		1	HAR/S116	HAR/S116 - Hardware Swivel Lock Strike 116# - 100/ctn

CONSTRUCTION & INSTALLATION
 THIS DRAWING INCLUDES CONSTRUCTION AND
 INSTALLATION INSTRUCTIONS FOR THE
 ACCESS DOOR. THE USER MUST FOLLOW THE
 INSTRUCTIONS CAREFULLY TO AVOID
 DAMAGE TO THE ACCESS DOOR OR THE
 EQUIPMENT BEING PROTECTED BY THE
 ACCESS DOOR. THE USER SHALL BE
 RESPONSIBLE FOR THE PROPER
 INSTALLATION AND MAINTENANCE OF
 THE ACCESS DOOR.

REVISION	NO.	DESCRIPTION

TRADESMAN
 MANUFACTURING
 TOLERANCES UNLESS OTHERWISE SPECIFIED:
 1. HOLE SIZE .0005" AND
 HOLE POSITION .005"
 2. DIMENSIONS .005"
 3. HOLE POSITION .005"
 4. FABRICATION TOLERANCES
 ± .010"
 FINISH: 40
 SURFACE TOLERANCE
 ± .001"
 JOG: .005"
 HOLE: .005"
 HOLE: .005"

TITLE:
 6" x 6" Double Cammed Access Door, Type B - 10/ctn

DWG NO:
 ELG-AD01-40

(403) 327-9871

sales@tradesmanmfg.ca

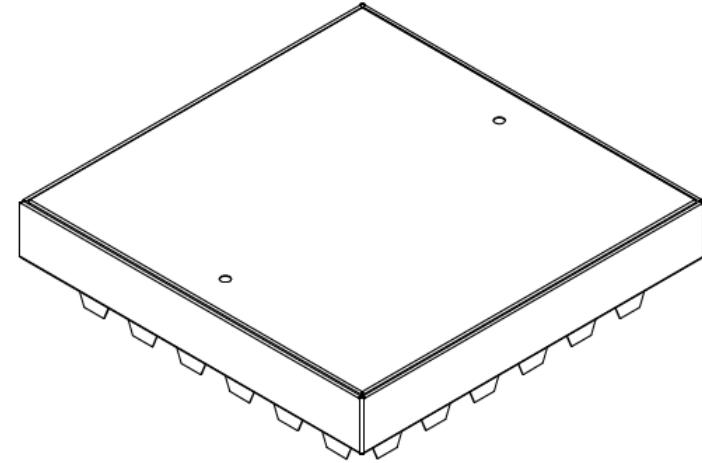
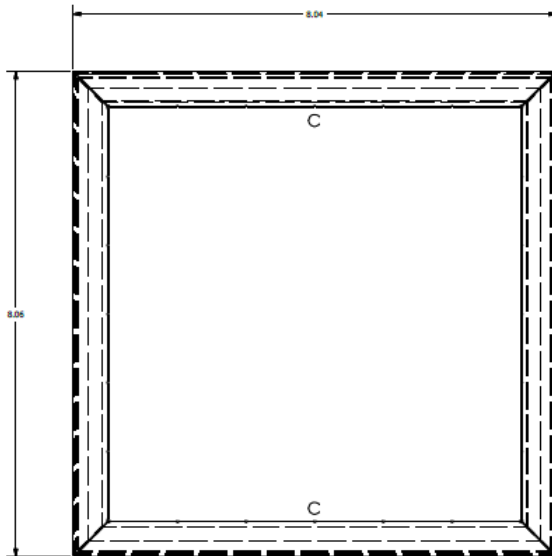
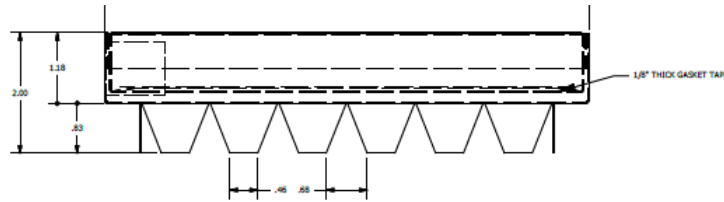
www.tradesmanmfg.ca

Specifications are subject to change without notice or obligation. All Tradesman Manufacturing products are guaranteed against defective material.

ACCESS DOORS

TRADESMAN

MANUFACTURING



ITEM		QTY	PART NUMBER	DESCRIPTION
1		1	ELG-AD01-50_001	
2		1	ELG-AD01-50_002	
3		1	ELG-AD01-50_003	
4		1	HAR/T115	HAR/T115 - Hardware Swivel Lock Turn 115# - 100/ctn
5		1	HAR/S116	HAR/S116 - Hardware Swivel Lock Strike 116# - 100/ctn

CONVENTIONAL & NONCONVENTIONAL:
THIS DRAWING INCLUDES CONVENTIONAL AND PROPRIETARY INFORMATION OF TRADESMAN MANUFACTURING AND SHOULD BE USED ONLY FOR THE UNDERSTANDING THIS MATERIAL. USE THIS INFORMATION THEREIN, IN ANY MANNER, IS PROHIBITED. IT IS TO BE SPECIFICALLY IDENTIFIED, STORED IN A CONTROL SYSTEM, TRANSMITTED IN ANY FORM, OR REPRODUCED IN ANY MANNER WITHOUT THE WRITTEN PERMISSION FROM TRADESMAN MANUFACTURING. IT IS THE POLICY OF TRADESMAN MANUFACTURING TO PROTECT AND DEFEND THE RIGHTS OF PATENT AND TRADEMARK OWNERSHIP TO THE CUSTOMER AND SHALL NOT BE USED FOR ANY OTHER PURPOSE. THIS DRAWING IS THE PROPERTY OF TRADESMAN MANUFACTURING AND SHALL BE

REVISION	NO.	DESCRIPTION

TRADESMAN
MANUFACTURING

TOLERANCES
(UNLESS OTHERWISE STATED)
1. DIMENSIONS ALL DIMENSIONS
2. HOLE DIA. DIMENSIONS
3. DO NOT SCALE DRAWING
4. FABRICATION TOLERANCES
AS SHOWN

ANGLE - 45°
SURFACE TOLERANCE
F - 40.0"
Z - 40.0"

TITLE: 8" x 8" Double Cammed Access Door, Type B - 10/ctn
DWG NO: ELG-AD01-50

(403) 327-9871

sales@tradesmanmfg.ca

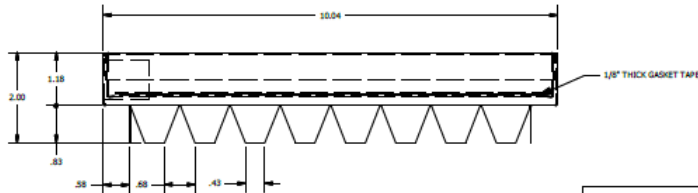
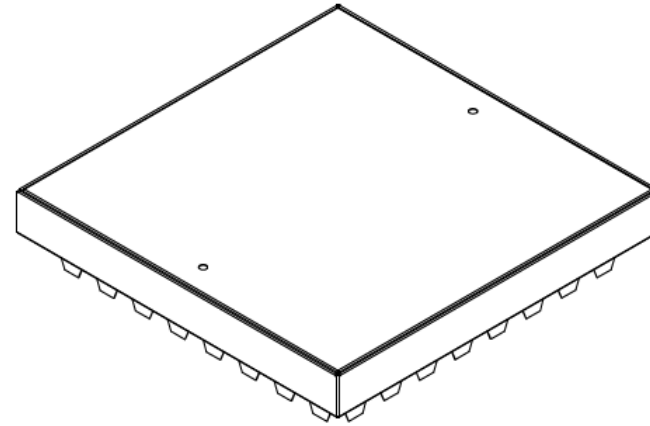
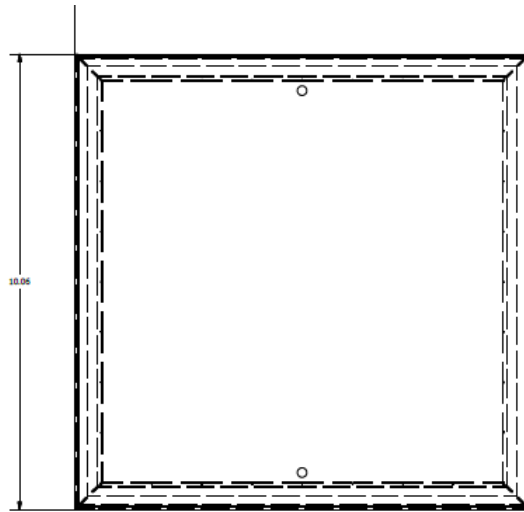
www.tradesmanmfg.ca

Specifications are subject to change without notice or obligation. All Tradesman Manufacturing products are guaranteed against defective material.

ACCESS DOORS

TRADESMAN

MANUFACTURING



		PARTS LIST	
ITEM	QTY	PART NUMBER	DESCRIPTION
1	1	ELG-DCAD-10_001	
2	1	ELG-DCAD-10_002	
3	1	ELG-DCAD-10_003	
4	1	HAR/T115	HAR/T115 - Hardware Swivel Lock Turn 115# - 100/ctn
5	1	HAR/S116	HAR/S116 - Hardware Swivel Lock Strike 116# - 100/ctn

GENERAL & SPECIAL:
THIS DRAWING INCLUDES DIMENSIONS AND PROPRIETARY INFORMATION OF TRADESMAN MANUFACTURING AND SHALL BE USED ONLY ON THE UNDERSTANDING THAT TRADESMAN MANUFACTURING AND DESIGN, IN ANY MANNER, ARE CONSIDERED TO BE TRADESMAN MANUFACTURING'S PROPERTY. TRADESMAN MANUFACTURING SHALL BE RESPONSIBLE FOR THE PROVISION OF SERVICES BY TRADESMAN MANUFACTURING TO THE CUSTOMER AND SHALL BE LIABLE FOR ANY CLAIMS INCURRED. THE DRAWING IS THE PROPERTY OF TRADESMAN MANUFACTURING AND SHALL BE

NO.	DESCRIPTION

TRADESMAN
MANUFACTURING

TRADESMAN
(UNLESS OTHERWISE SPECIFIED)
1. DIMENSIONS IN INCHES AND
FRACTIONS
2. DECIMAL TOLERANCES
3. UNLESS OTHERWISE SPECIFIED
4. HORIZONTAL TOLERANCES
= ±.015"
ANGLES = ± 1°
SURFACE TOLERANCE
= ±.015"

TITLE:
10" x 10" Double Cammed Access Door, Type B - 10/ctn

DWG NO:
ELG-DCAD-10

(403) 327-9871

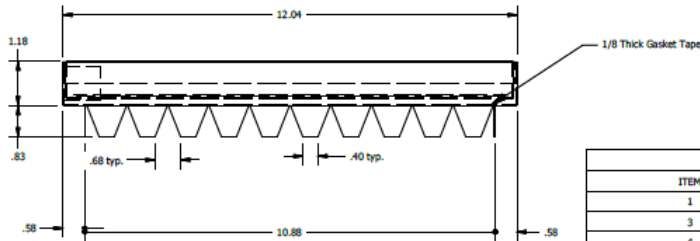
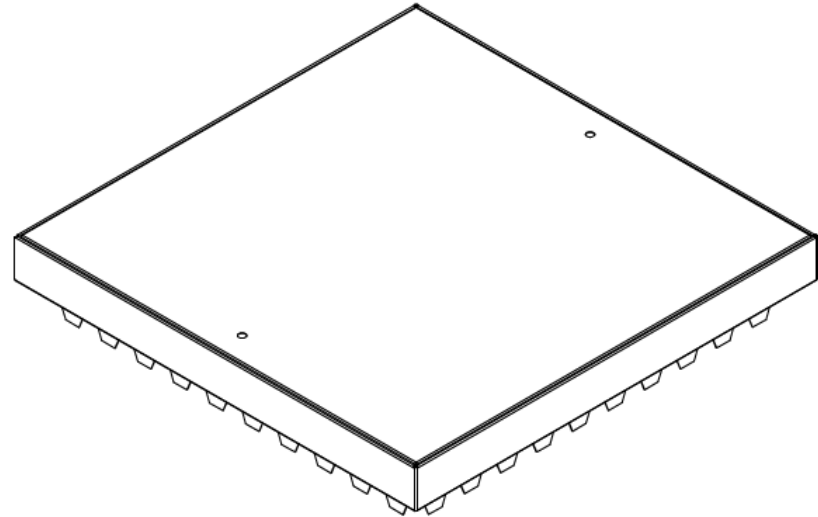
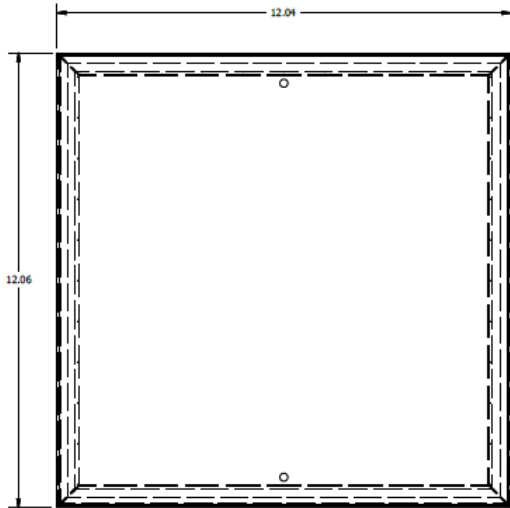
sales@tradesmanmfg.ca

www.tradesmanmfg.ca

Specifications are subject to change without notice or obligation. All Tradesman Manufacturing products are guaranteed against defective material.

TRADESMAN

MANUFACTURING



PARTS LIST			
ITEM	QTY	PART NUMBER	DESCRIPTION
1	1	ELG-AD01-65_001	
3	1	ELG-AD01-65_002	
4	1	ELG-AD01-65_002	
5	2	HAR/T115	HAR/T115 - Hardware Swivel Lock Turn 115# - 100/ctn
6	2	HAR/S116	HAR/S116 - Hardware Swivel Lock Strike 116# - 100/ctn
7	2	N.A.	3/16 DIAMETER RIVET 1/8 - 1/4 GRIP RANGE

REVISION	NO.	DESCRIPTION	TRADESMAN MANUFACTURING	TITLE:
			<p>TOLERANCES UNLESS OTHERWISE STATED: 1. DIMENSIONS ARE IN INCHES AND DECIMAL FRACTIONS 2. DIMENSIONS ARE IN MILLIMETERS 3. DIMENSIONS ARE IN MILLIMETERS 4. FABRICATION TOLERANCES ±.005" ANGULAR ±.5° SURFACE TOLERANCE .32 - .400"</p>	<p>12" x 12" Double Cammed Access Door, Type B - 10/ctn</p>
				DWG NO: ELG-AD01-65

(403) 327-9871

sales@tradesmanmfg.ca

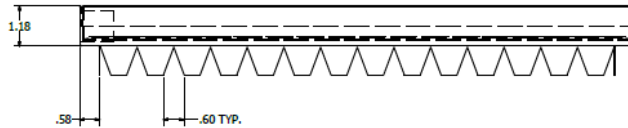
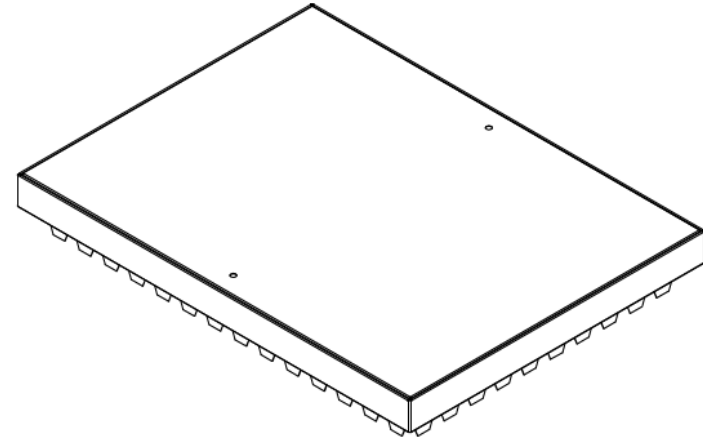
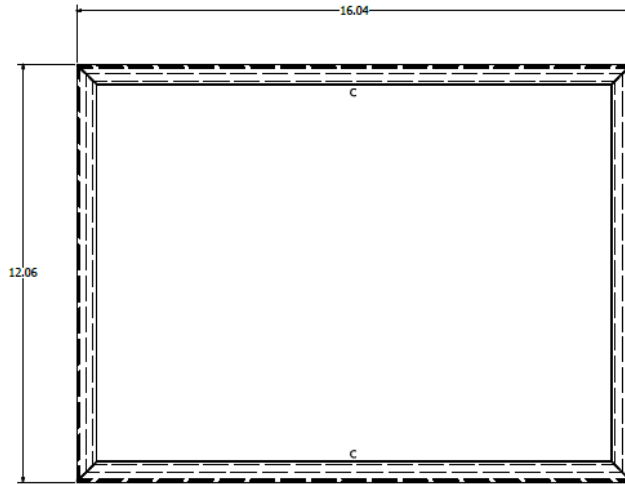
www.tradesmanmfg.ca

Specifications are subject to change without notice or obligation. All Tradesman Manufacturing products are guaranteed against defective material.

ACCESS DOORS

TRADESMAN

MANUFACTURING



<small> TRADESMAN MANUFACTURING 1000 WILSON AVENUE WILSON, BC V9A 5G1 TEL: (250) 373-8888 FAX: (250) 373-8889 WWW.TRADESMANMFG.CA </small>	NO.	DESCRIPTION	TRADESMAN	TITLE:	ADI-1612-DCB.iam
	REV.			DWG NO.:	ADI-1612-DCB
	MATERIAL:	QTY:		REV:	SHEET 1 OF 2

(403) 327-9871

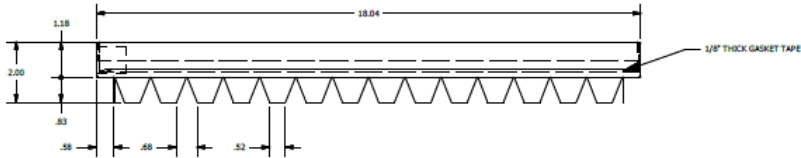
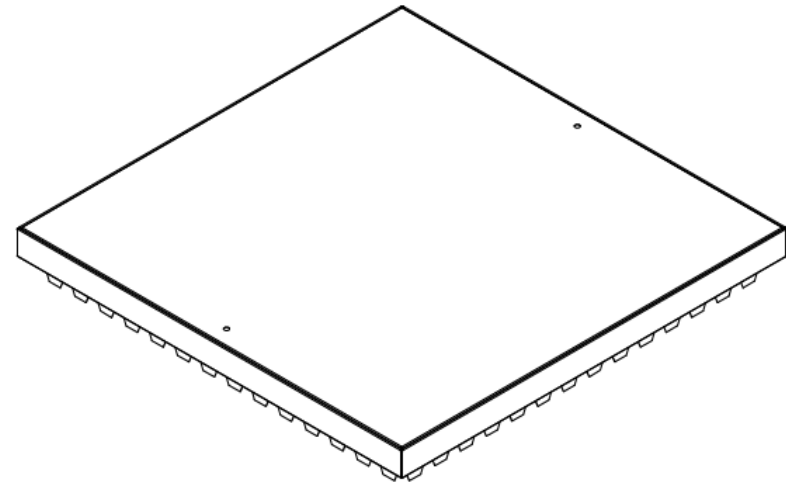
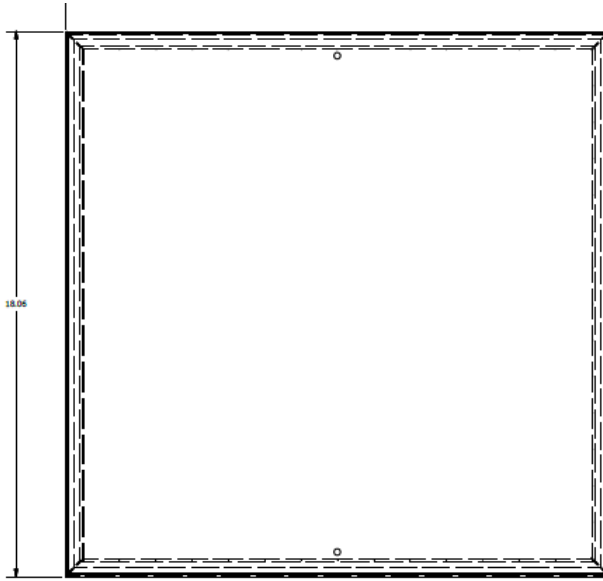
sales@tradesmanmfg.ca

www.tradesmanmfg.ca

Specifications are subject to change without notice or obligation. All Tradesman Manufacturing products are guaranteed against defective material.

TRADESMAN

MANUFACTURING



ITEM		QTY	PART NUMBER	DESCRIPTION
1		1	ELG-AD02-04_001	
2		1	ELG-AD02-04_002	
3		1	ELG-AD02-04_003	
4		1	HAR/T115	HAR/T115 - Hardware Swivel Lock Turn 115# - 100/ctn
5		1	HAR/S116	HAR/S116 - Hardware Swivel Lock Strike 116# - 100/ctn

CONVENTIONAL & PROPRIETARY
 THE DRAWING INCLUDES CONVENTIONAL AND PROPRIETARY DIMENSIONS OF TRADESMAN MANUFACTURING PRODUCTS AND SHALL BE USED ONLY ON THE UNDERLYING PARTS THAT MATCH THE TRADESMAN MANUFACTURING PARTS LIST. IT IS TO BE REPRODUCED, COPIED, REPRODUCED, OR TRANSMITTED IN ANY FORM, AND DISSEMINATED TO ANY PARTY WITHOUT THE WRITTEN PERMISSION OF TRADESMAN MANUFACTURING. TRADESMAN MANUFACTURING IS NOT RESPONSIBLE FOR THE REPRODUCTION OF THIS DRAWING BY ANY OTHER PARTY. TRADESMAN MANUFACTURING IS NOT RESPONSIBLE FOR THE REPRODUCTION OF THIS DRAWING BY ANY OTHER PARTY.

REVISION	NO.	DESCRIPTION

TRADESMAN
 MANUFACTURING
 TOLERANCES
 UNLESS OTHERWISE SPECIFIED
 1. DIMENSIONS ARE IN INCHES
 2. DIMENSIONS ARE IN MILLIMETERS
 3. DIMENSIONS ARE IN MILLIMETERS
 4. FABRICATION TOLERANCES
 ± .010"
 ± .015"
 ± .020"
 ± .030"
 ± .040"

TITLE:	18" x 18" Double Cammed Access Door, Type B - 10/ctn
DWG NO:	ELG-AD02-04

(403) 327-9871

sales@tradesmanmfg.ca

www.tradesmanmfg.ca

Specifications are subject to change without notice or obligation. All Tradesman Manufacturing products are guaranteed against defective material.