

INSTALLATION INSTRUCTIONS:

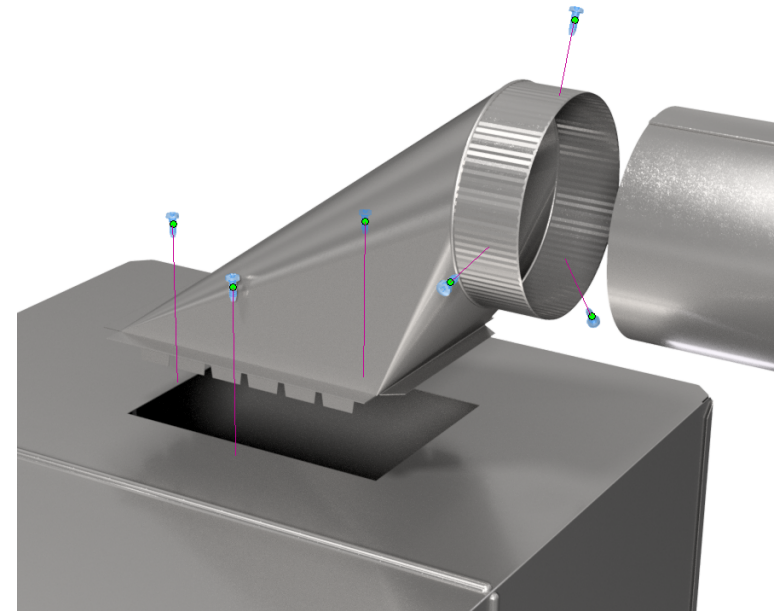
- 1- Mark and cutout ducting for take off access.
- 2- Bend tabs over on the inside of ducting.
- 3- Use 1/2" sheet metal screws on side tabs.
- 4- Slide pipe over crimped end on take off until tight.
- 5- Use three 1/2" sheet metal screws to secure.

NOTE:

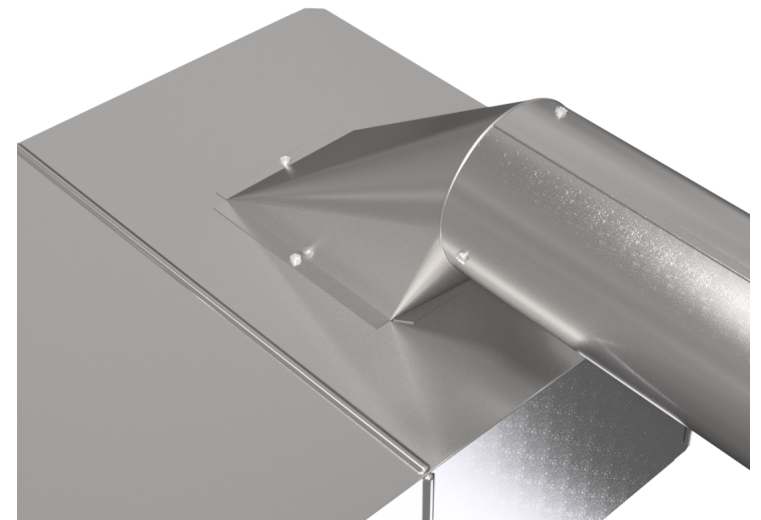
Used for residential applications. Industrial tape, foil, or sealer can be used. Make a template if doing multiple cutouts.

WARNING!!

Improper installation may result in damage to product or inefficiencies in the system. Use proper PPE and equipment during cutting, bending, and installation processes. If local codes differ from these instructions follow local building codes.



INSTALLATION VIEW



INSTALLED VIEW