

INSTALLATION INSTRUCTIONS:

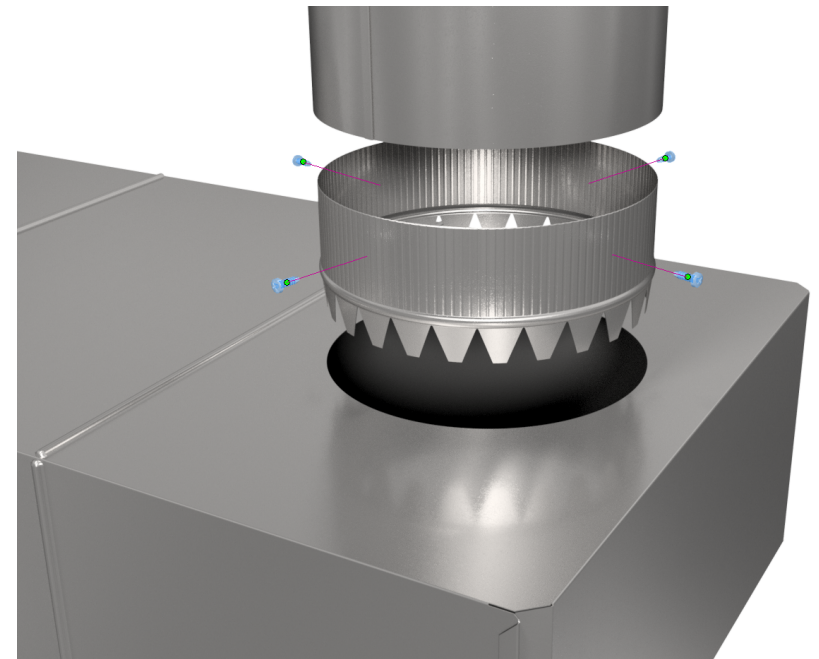
- 1- Mark and cutout ducting for tap in.
- 2- Bend tabs over on the inside of ducting.
- 3- Push pipe over crimped end of pipe until tight.
- 4- Use four 1/2" sheet metal screws on side tabs.

NOTE:

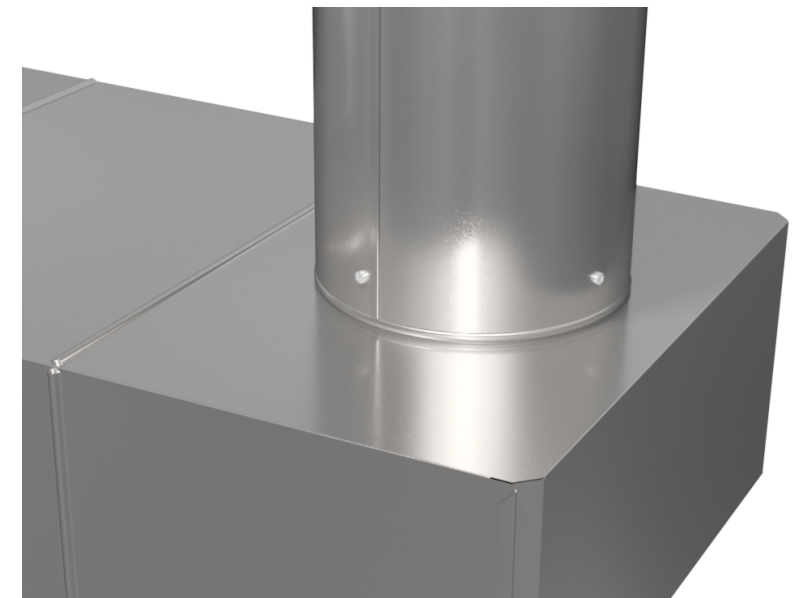
Used for residential applications. Industrial tape, foil, or sealer can be used. Make a template if doing multiple cutouts.

WARNING!!

Improper installation may result in damage to product or inefficiencies in the system. Use proper PPE and equipment during cutting, bending, and installation processes. If local codes differ from these instructions follow local building codes.



INSTALLATION VIEW



INSTALLED VIEW