



## INSTALLATION INSTRUCTIONS:

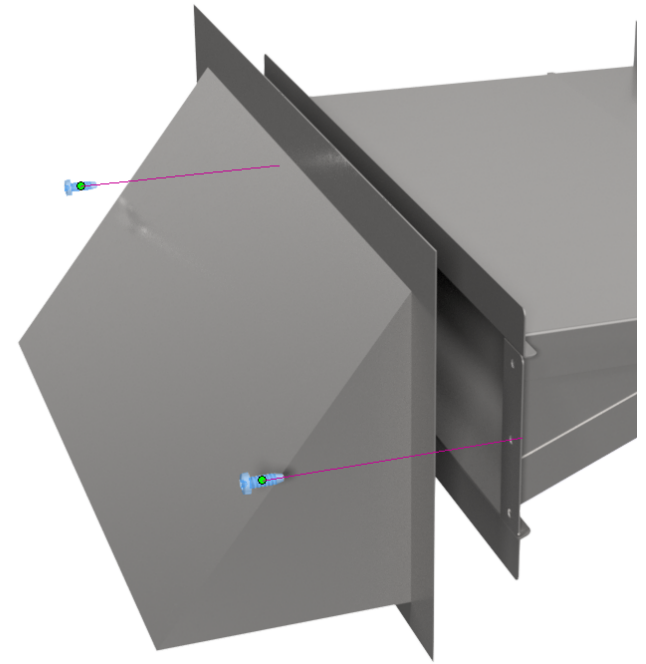
- 1- Center wall cap over soffit discharge.
- 2- Use two 1/2" sheet metal screws in the center holes on each side to secure the cap to the discharge.
- 3- Use industrial sealer on a connections.

### **NOTE:**

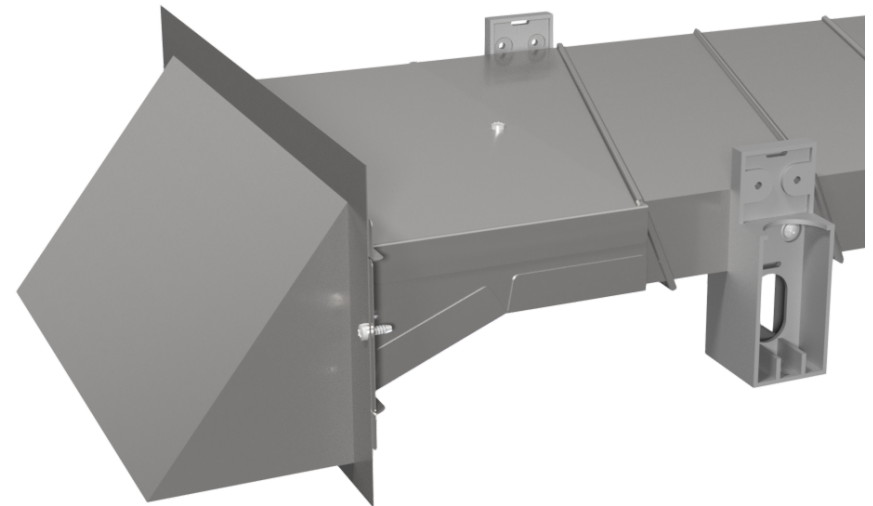
Used for commercial applications.

### ***WARNING!!***

*Improper installation may result in damage to product or inefficiencies in the system. Use proper PPE and equipment during cutting, bending, and installation processes. If local codes differ from these instructions follow local building codes.*



**INSTALLATION VIEW**



**INSTALLED VIEW**

[\(403\) 327-9871](tel:4033279871)

[sales@tradesmanmfg.ca](mailto:sales@tradesmanmfg.ca)

[www.tradesmanmfg.ca](http://www.tradesmanmfg.ca)

Specifications are subject to change without notice or obligation. All Tradesman Manufacturing products are guaranteed against defective material.