

INSTALLATION INSTRUCTIONS:

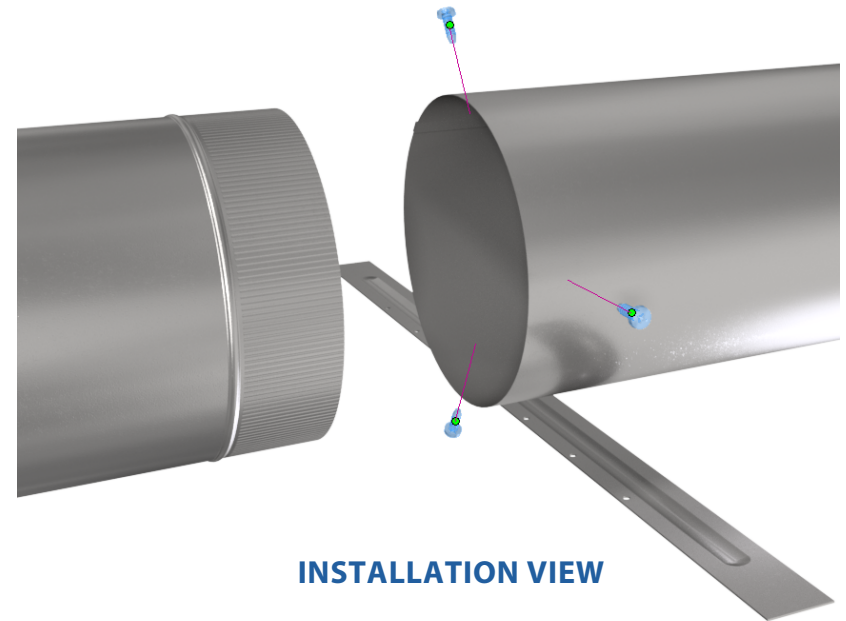
- 1- Slide crimped end of pipe into non crimped end of pipe until tight.
- 2- Use three 1/2" self tapping metal screws to secure.
- 3- Snap lock pipe needs to be supported by a pipe support or strapping every 6'.

NOTE:

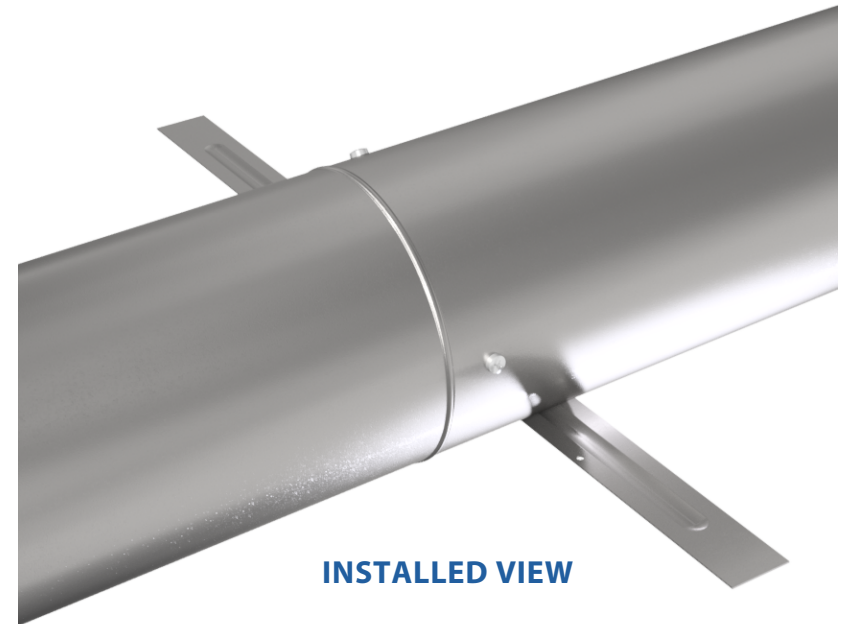
Used for residential applications. Industrial tape, foil, or sealer can be used, but we recommend using metal screws to install.

WARNING!!

Improper installation may result in damage to product or inefficiencies in the system. Use proper PPE and equipment during cutting, bending, and installation processes. If local codes differ from these instructions follow local building codes.



INSTALLATION VIEW



INSTALLED VIEW