



INSTALLATION INSTRUCTIONS:

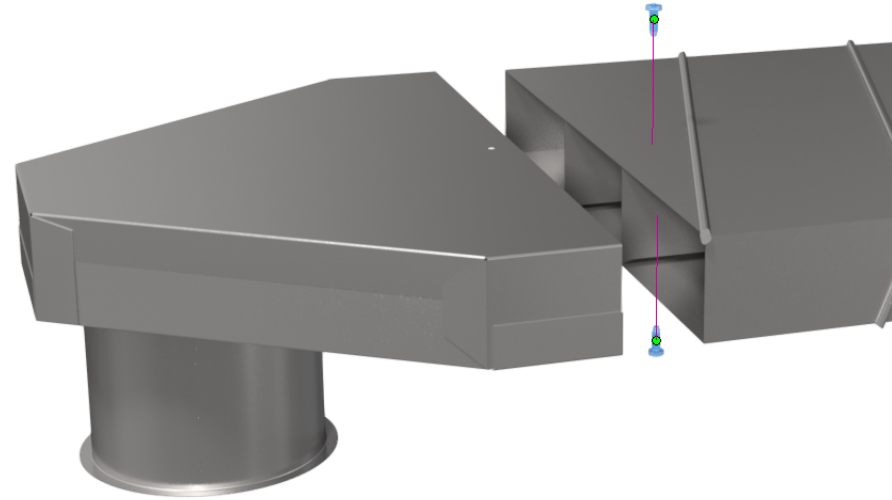
- 1- Slide slab duct into Inlet, push until tight.
- 2- Use two 1/2" sheet metal screws, one on the top and bottom to secure the collar to the duct.
- 3- Use industrial sealer on a connections.

NOTE:

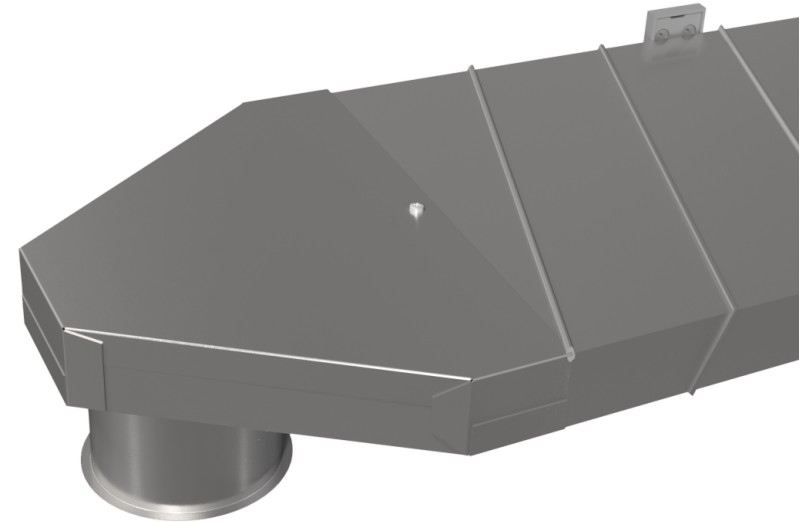
Used for commercial applications.

WARNING!!

Improper installation may result in damage to product or inefficiencies in the system. Use proper PPE and equipment during cutting, bending, and installation processes. If local codes differ from these instructions follow local building codes.



INSTALLATION VIEW



INSTALLED VIEW

[\(403\) 327-9871](tel:4033279871)

sales@tradesmanmfg.ca

www.tradesmanmfg.ca

Specifications are subject to change without notice or obligation. All Tradesman Manufacturing products are guaranteed against defective material.