

INSTALLATION INSTRUCTIONS:

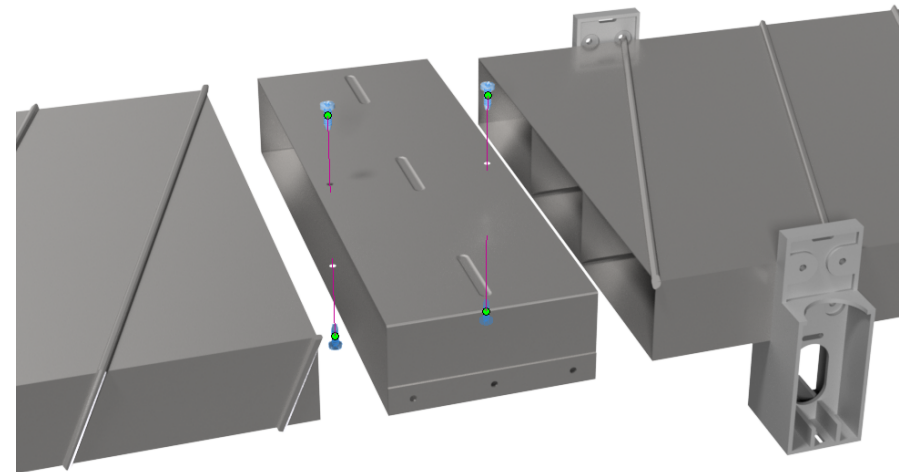
- 1- Slide slab duct into collar, push until tight.
- 2- Use two 1/2" sheet metal screws, one on the top and bottom to secure the collar to the duct.
- 3- Repeat last two steps for the next section of slab duct.
- 4- Use industrial sealer on a connections.

NOTE:

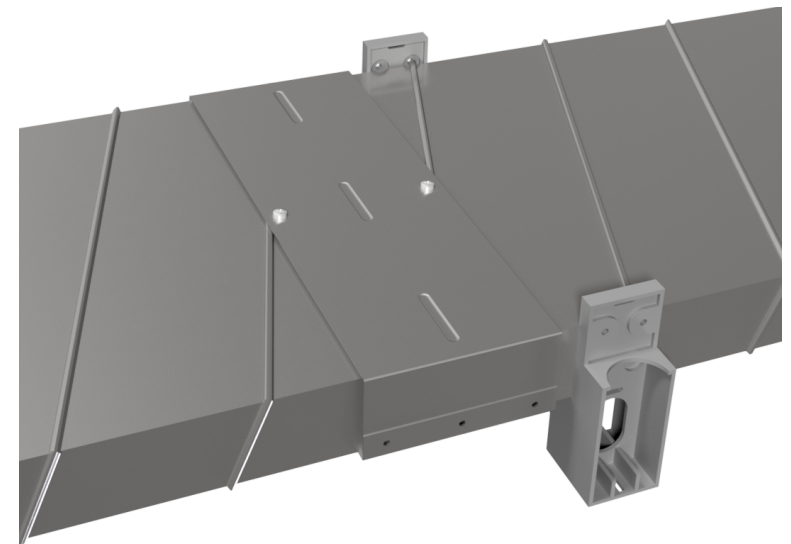
Used for commercial applications. Industrial tape, foil, or sealer can be used.

WARNING!!

Improper installation may result in damage to product or inefficiencies in the system. Use proper PPE and equipment during cutting, bending, and installation processes. If local codes differ from these instructions follow local building codes.



INSTALLATION VIEW



INSTALLED VIEW