

# TRADESMAN

MANUFACTURING

## INSTALLATION INSTRUCTIONS:

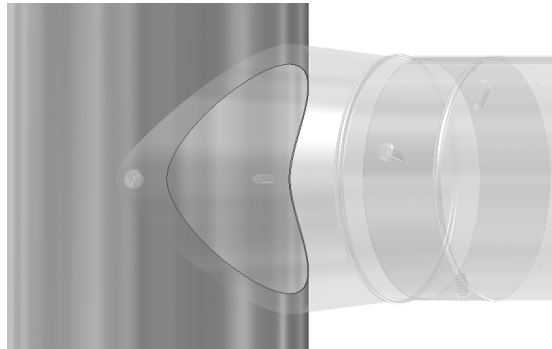
- 1- Position saddle on ducting and trace out the cutout on the outside with a visible marker. Cut hole roughly 1/2" inside traced line.
- 2- Use two 1/2" sheet metal screws one on the top and one on the bottom to secure to pipe.
- 3- Hammer the 1/2" of undercut pipe inside of saddle around pipe.
- 4- Use three 1/2" sheet metal screws to secure the branching pipe.

### **NOTE:**

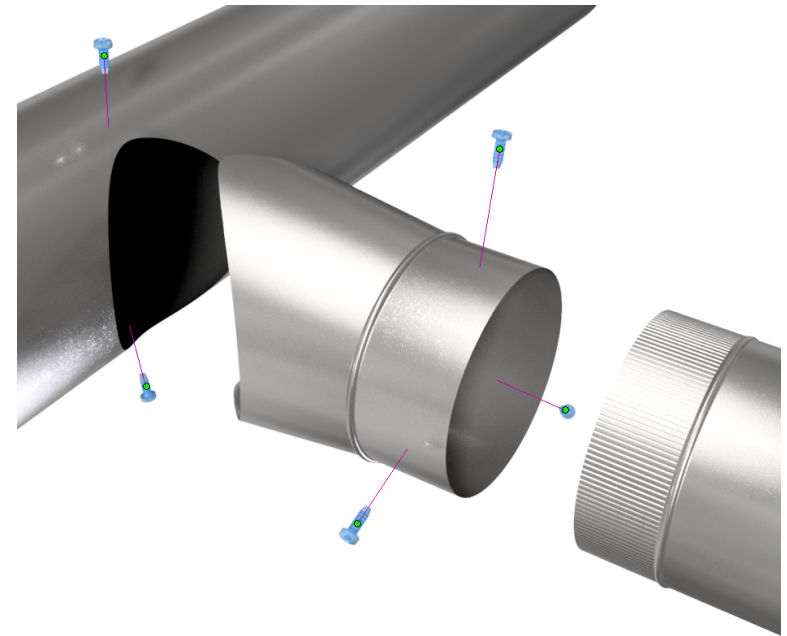
Used for commercial applications. Industrial sealer must be used on all connections

### **WARNING!!**

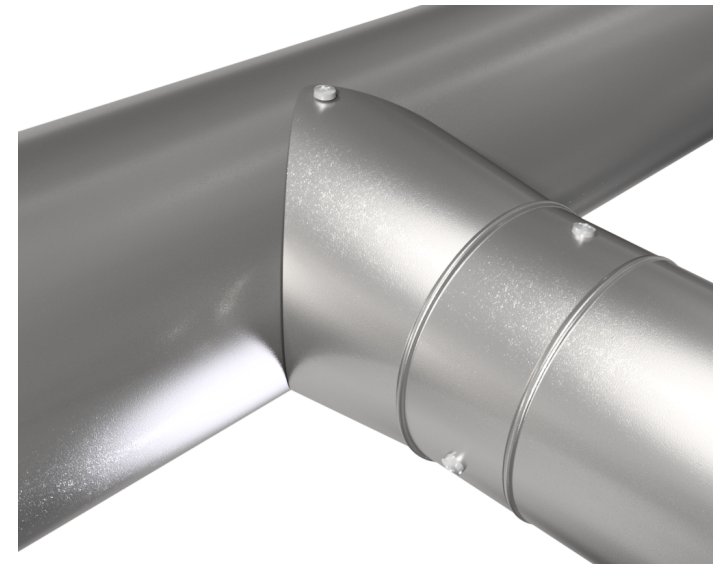
*Improper installation may result in damage to product or inefficiencies in the system. Use proper PPE and equipment during cutting, bending, and installation processes. If local codes differ from these instructions follow local building codes.*



TRACED VIEW



INSTALLATION VIEW



INSTALLED VIEW

[\(403\) 327-9871](tel:4033279871)

[sales@tradesmanmfg.ca](mailto:sales@tradesmanmfg.ca)

[www.tradesmanmfg.ca](http://www.tradesmanmfg.ca)