

INSTALLATION INSTRUCTIONS:

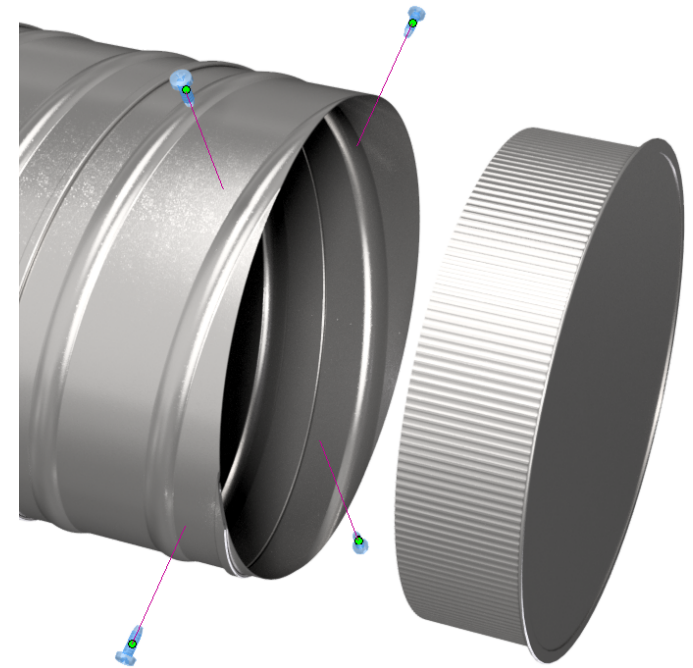
- 1- Push plug into the end of pipe until tight.
- 2- Use four 1/2" sheet metal screws to secure into place.

NOTE:

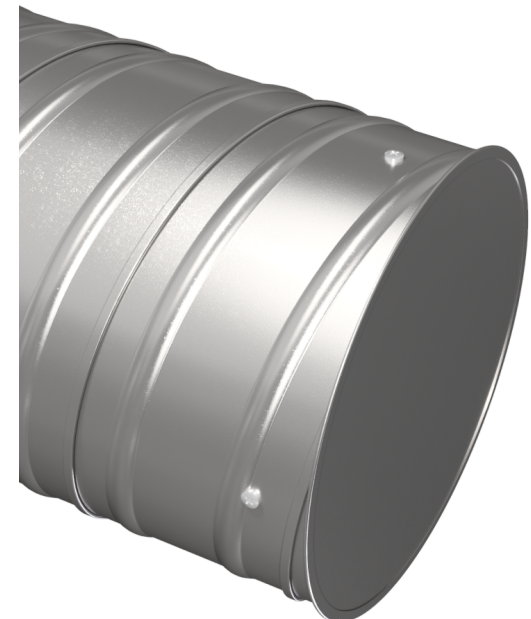
Used for Residential and Commercial applications.
Industrial tape, foil, or sealer can be used.

WARNING!!

Improper installation may result in damage to product or inefficiencies in the system. Use proper PPE and equipment during cutting, bending, and installation processes. If local codes differ from these instructions follow local building codes.



INSTALLATION VIEW



INSTALLED VIEW