

INSTALLATION INSTRUCTIONS:

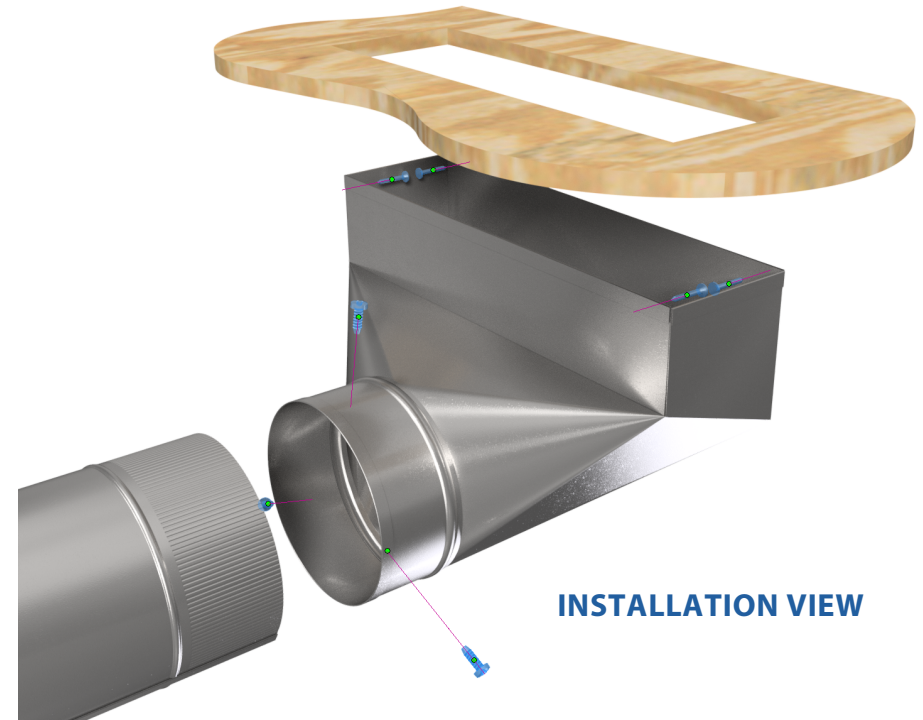
- 1- Slide boot over crimped end on pipe.
- 2- Rotate boot to desired position.
- 3- Use three 1/2" sheet metal screws to secure boot to pipe.
- 4- Insert boot into floor cutout until flush.
- 5- Nail four 1" nails into each corner of boot.

NOTE:

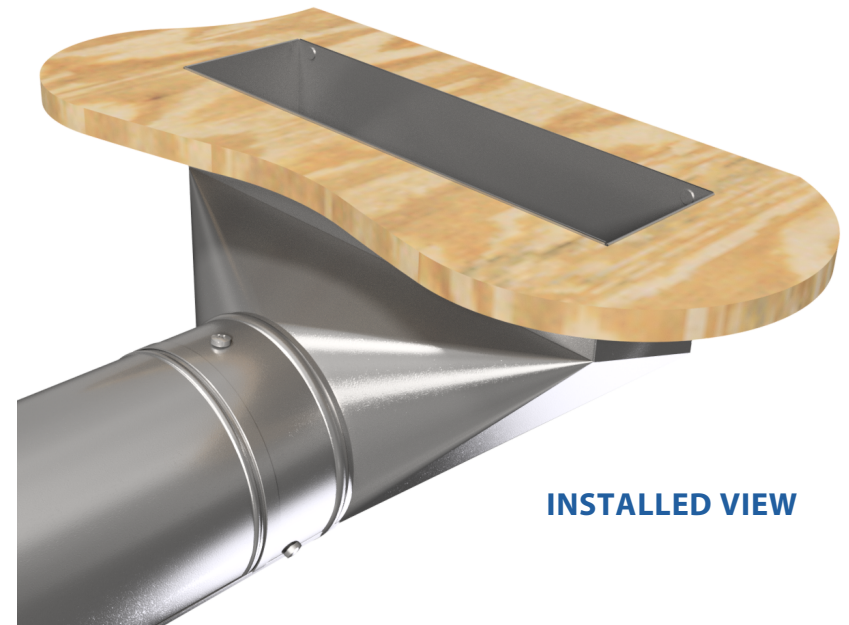
Used for residential applications. Industrial tape, foil, or sealer can be used, but we recommend using metal screws to install.

WARNING!!

Improper installation may result in damage to product or inefficiencies in the system. Use proper PPE and equipment during cutting, bending, and installation processes. If local codes differ from these instructions follow local building codes.



INSTALLATION VIEW



INSTALLED VIEW