

INSTALLATION INSTRUCTIONS:

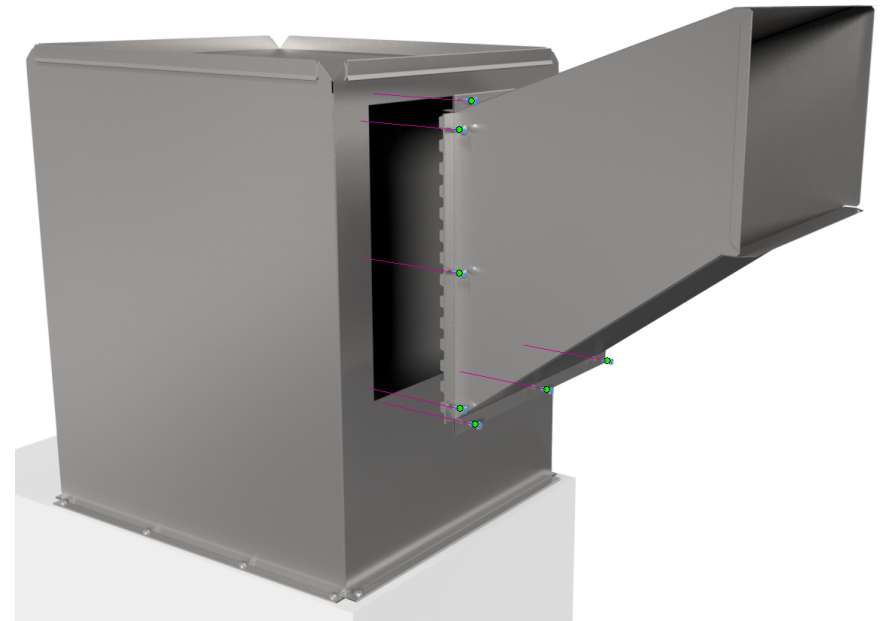
- 1- Mark and cutout plenum duct access.
- 2- Bend tabs over on the inside of ducting.
- 3- Use a couple 1/2" sheet metal screws on each flange to secure it in place.
- 4- Use drive and slip cleat to install duct on the other end. See cleat instructions for install.

NOTE:

Used for residential applications. Industrial tape, foil, or sealer can be used.

WARNING!!

Improper installation may result in damage to product or inefficiencies in the system. Use proper PPE and equipment during cutting, bending, and installation processes. If local codes differ from these instructions follow local building codes.



INSTALLATION VIEW



INSTALLED VIEW