

INSTALLATION INSTRUCTIONS:

STEP 1- E↑VWUd_ bW WV [fa eb[dS^b[bV

STEP 2- E↑VWUd_ bW WV aXeb[dS^ [fa afZVWV
aXfZWS_ bV

STEP 3- GeW%eZVW _ WS^eUW efa eVWgdM [fa
b^SUMS` V eVb^V

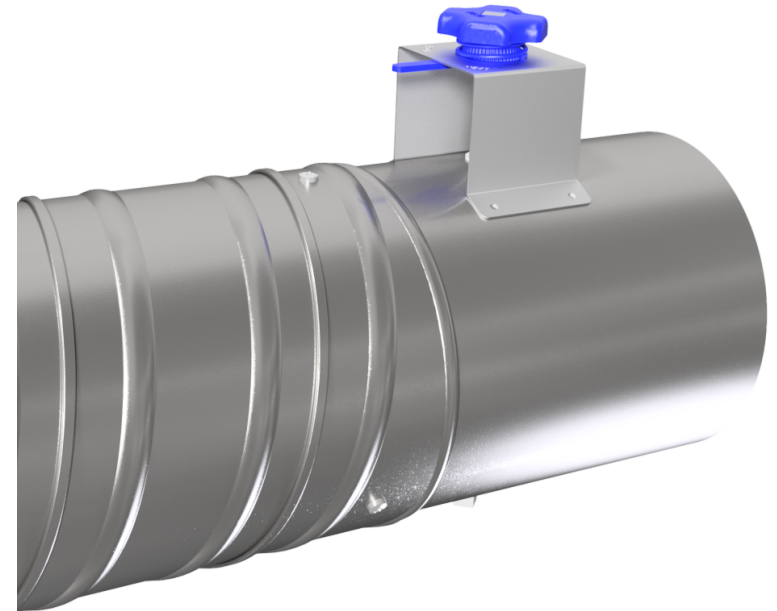
TIPS:

Industrial tape, foil, or sealer can be used. Duct hangers must be used every 5'. e_ S^WV T[Y WV S[dXai [] Wb dag` V XadUV&dS` UWdafSfVZS` V^Wea fZSf [f [e SUWaeT^V

WARNING!!

Improper installation may result in damage to product or inefficiencies in the system. Use proper PPE and equipment during cutting, bending, and installation processes. If local codes differ from these instructions follow local building codes.

;@EF3>>3F;A@ H;7I



3EE7? 4>76 H;7I