

INSTALLATION INSTRUCTIONS:

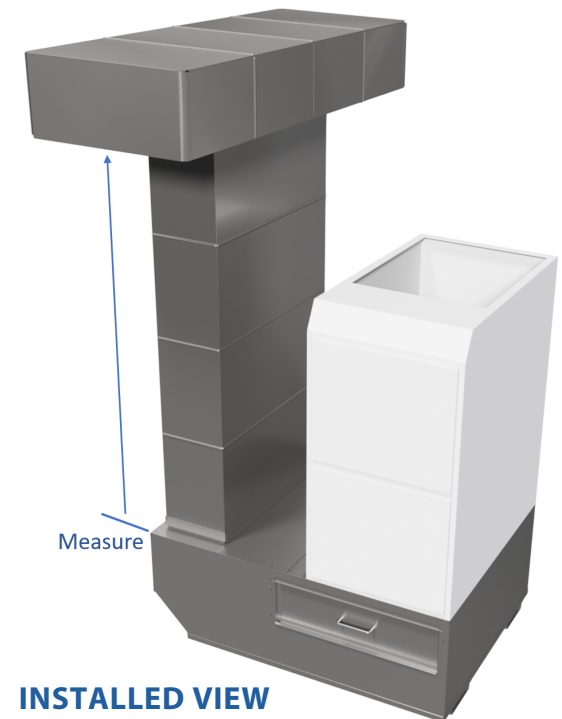
- 1- Position furnace stand, then place furnace on top, screw and seal to stand. rad and opening
- 2- Return air drop is installed using a slip and drive cleat. See cleat instructions for assembly.
- 3- Need change filter instructions, how to pull off door tips, air flow
- 4- follow filter replacement recommendations

NOTE:

Industrial tape, foil, or sealer can be used, but we recommend using metal screws to install.

WARNING!!

Improper installation may result in damage to product or inefficiencies in the system. Use proper PPE and equipment during cutting, bending, and installation processes. If local codes differ from these instructions follow local building codes.



INSTALLED VIEW

[\(403\) 327-9871](tel:(403)327-9871)

sales@tradesmanmfg.ca

www.tradesmanmfg.ca