

### INSTALLATION INSTRUCTIONS:

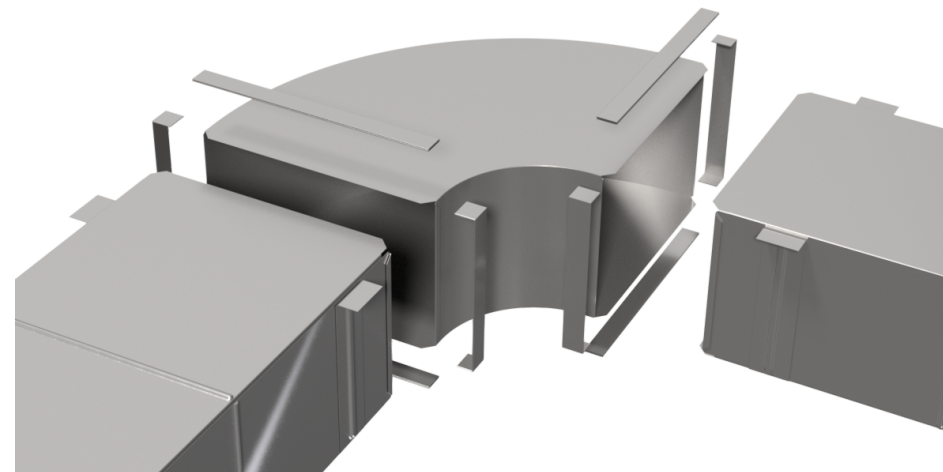
- 1- Use drive and slip/standing cleats to connect sections of duct together.
- 2- Attach duct to the elbow first using cleats.
- 3- Attach next section of duct to elbow after bracing it.

### **NOTE:**

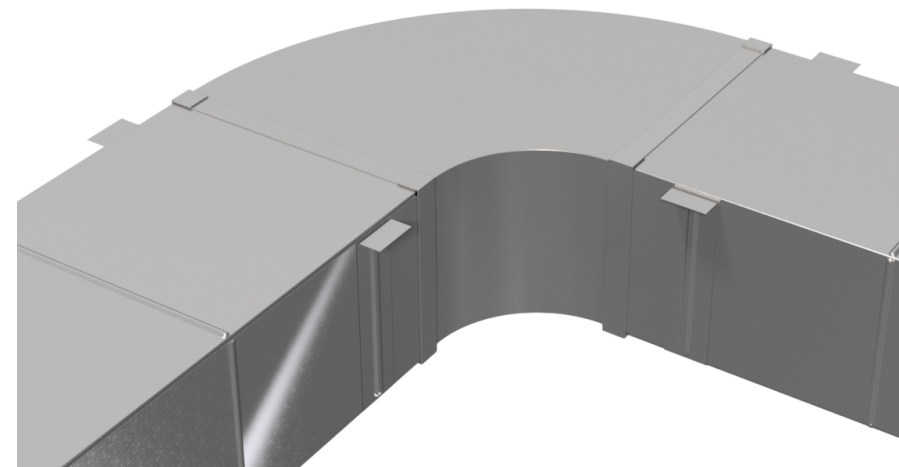
Used for residential application. Industrial tape, foil, or sealer can be used. 4 Duct hangers must be used for every section of duct. See cleat instruction manual for installation steps.

### ***WARNING!!***

***Improper installation may result in damage to product or inefficiencies in the system. Use proper PPE and equipment during cutting, bending, and installation processes. If local codes differ from these instructions follow local building codes.***



**INSTALLATION VIEW**



**INSTALLED VIEW**