

INSTALLATION INSTRUCTIONS:

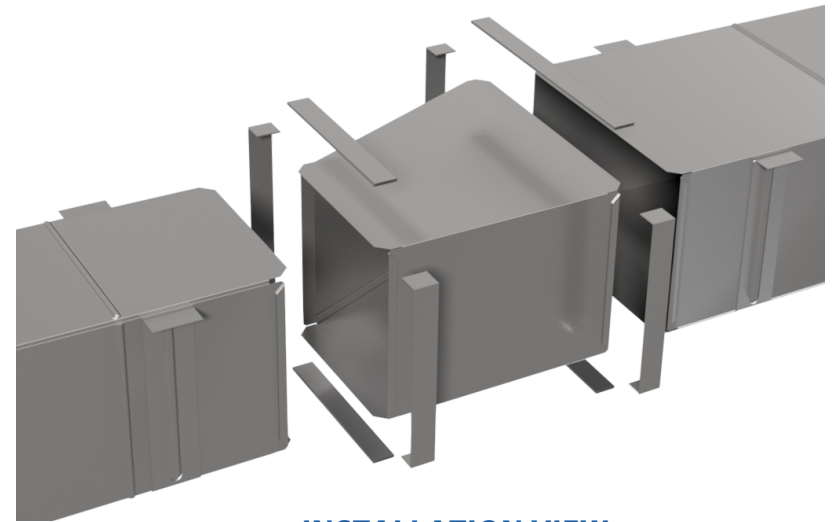
- 1- Use drive and slip/standing cleats to connect sections of duct together.
- 2- Attach larger duct to reducer first using cleats.
- 3- Attach smaller duct to reducer after bracing it.

NOTE:

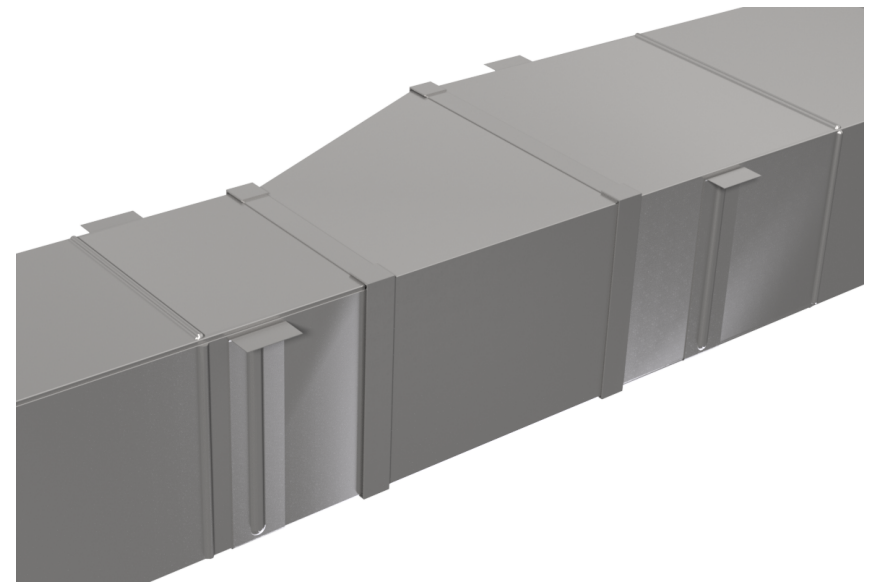
Used for residential applications. Industrial tape, foil, or sealer can be used. 4 Duct hangers must be used for every section of duct. See cleat instruction manual for installation steps.

WARNING!!

Improper installation may result in damage to product or inefficiencies in the system. Use proper PPE and equipment during cutting, bending, and installation processes. If local codes differ from these instructions follow local building codes.



INSTALLATION VIEW



INSTALLED VIEW