

INSTALLATION INSTRUCTIONS:

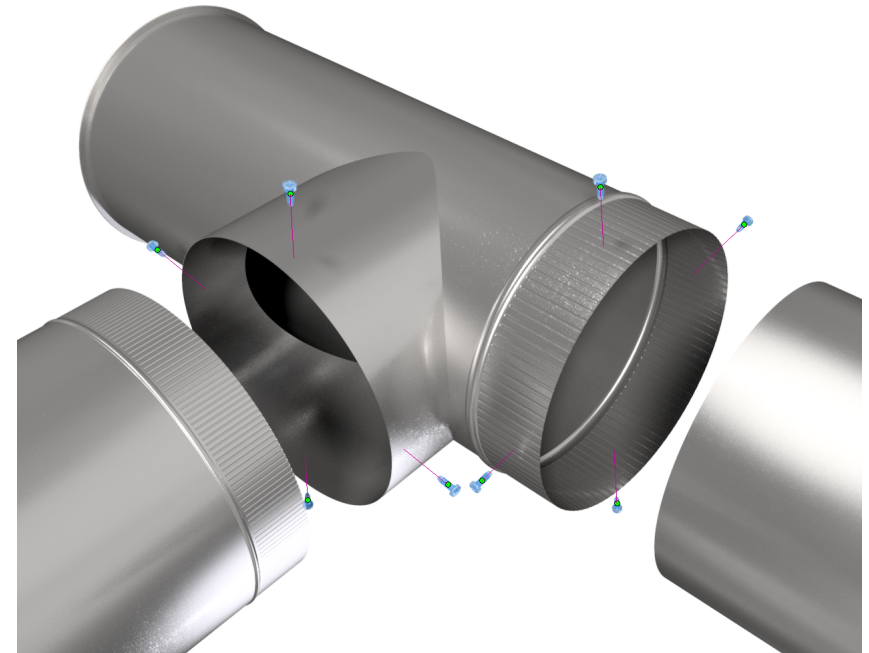
- 1- Double check airflow direction and push all pipe/fittings tightly over cushion.
- 2- Use four 1/2" sheet metal screws on each connection to secure pipe/fittings into place.

NOTE:

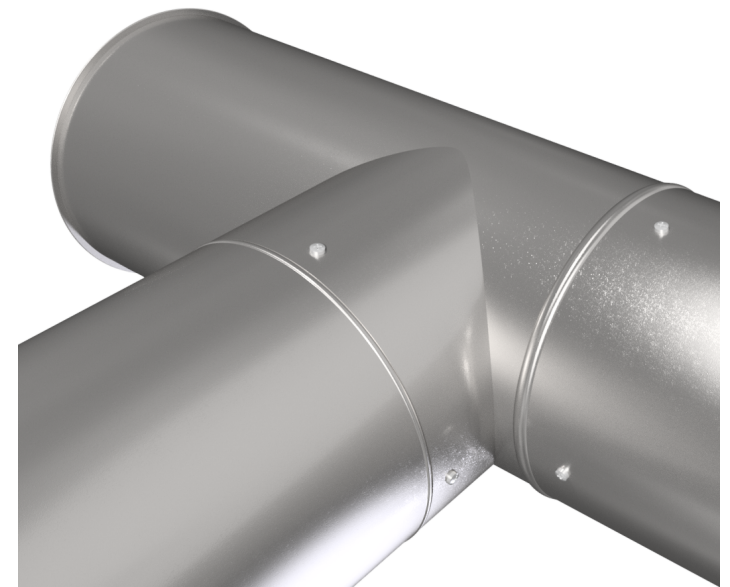
Used for Residential and Commercial applications. Industrial tape, foil, or sealer can be used.

WARNING!!

Improper installation may result in damage to product or inefficiencies in the system. Use proper PPE and equipment during cutting, bending, and installation processes. If local codes differ from these instructions follow local building codes.



INSTALLATION VIEW



INSTALLED VIEW