

DESCRIPTION

The Tradesman range hood transition goes from round pipe to 10" x 3.25" rectangle to fit an outlet on kitchen exhaust hood fans.

CONSTRUCTION

Made of 30GA galvanized.

FEATURES

100% laser cut for accuracy.
Made to fit Tradesman snaplock pipe.

GUARANTEE

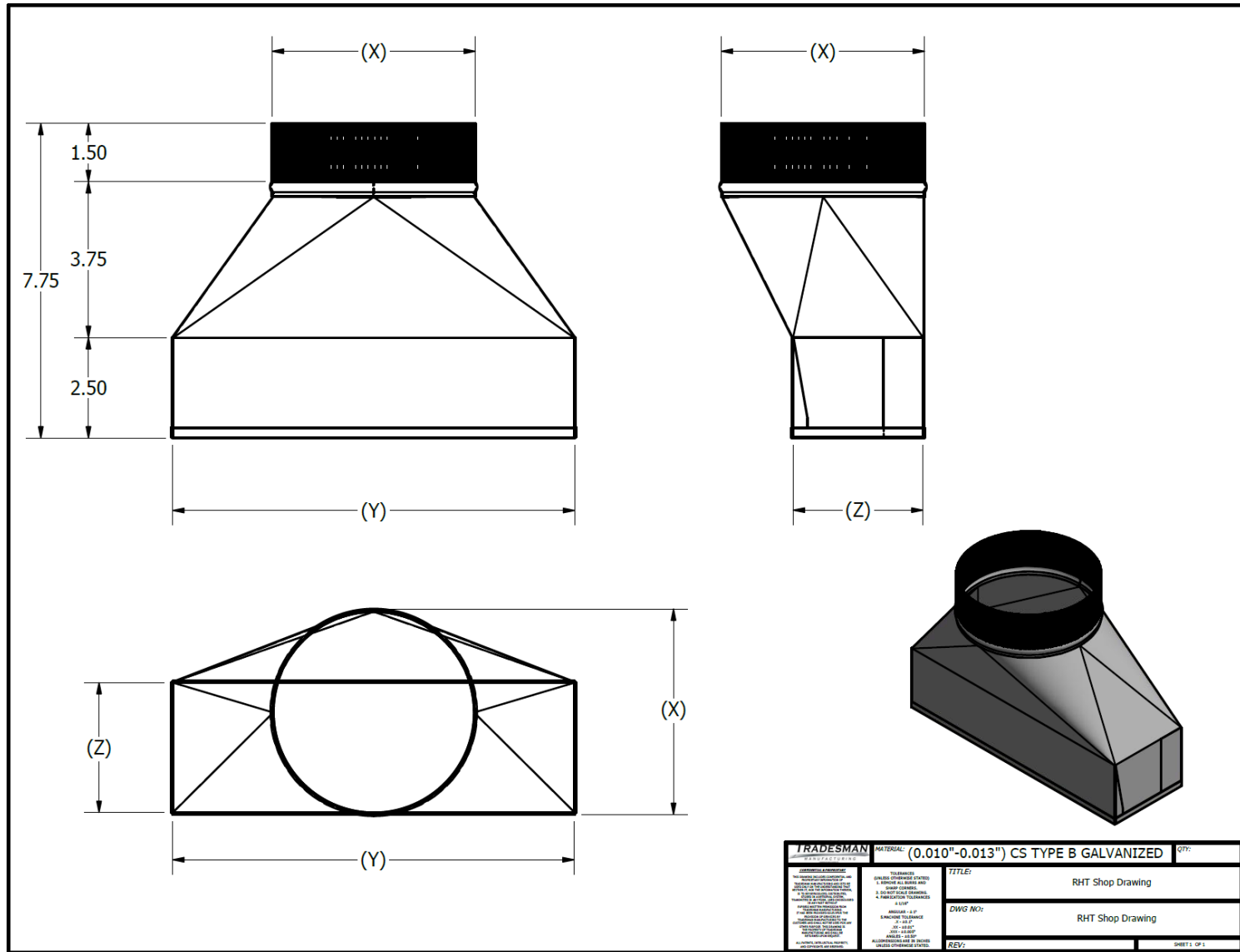
Made in Canada. All Tradesman Manufacturing products are guaranteed against defective material.

OPTIONAL CONSTRUCTION

Custom sizes available upon request to suit any and all applications.

Product Code	Square Dimension	Round Dimension	Box Qty
RHT/4321	10" x 3.25"	4	15
RHT/5321	10" x 3.25"	5	45
RHT/6321	10" x 3.25"	6	30
RHT/7321	10" x 3.25"	7	24
RHT/8321	10" x 3.25"	8	16





(403) 327-9871

sales@tradesmanmfg.ca

www.tradesmanmfg.ca

Specifications are subject to change without notice or obligation. All Tradesman Manufacturing products are guaranteed against defective material.